

# McHUGH

C O M P O N E N T S

[www.mchc.ie](http://www.mchc.ie)

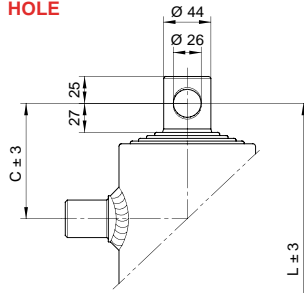


## Tipper Truck Components

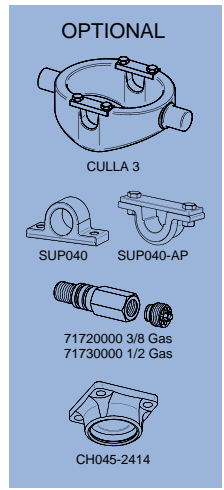
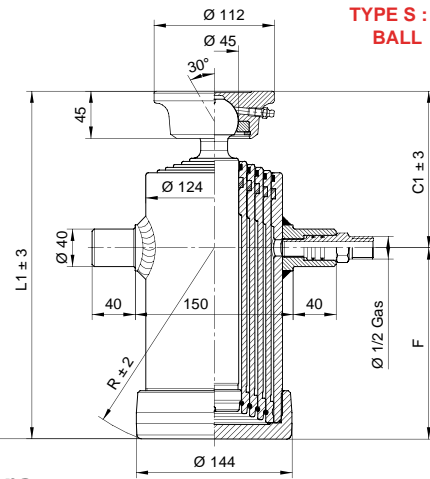
2010



TYPE F :  
HOLE



TYPE S :  
BALL



### 5 Stage Trunnion Mounted Telescopic Cylinders

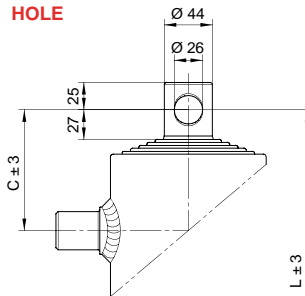
8 tonne at 180 bar

STROKE	CYLINDER DIMENSIONS						WEIGHT KG		VOLUME OF OIL	PART NUMBER
	C	C1	F	L	L1	R	F	S		
500	100	140	95	195	235	125	17.0	18.5	2.5L	3090
690	110	150	155	265	305	172	22.0	23.5	3.5L	3050
840	110	150	185	295	335	200	23.5	25.0	4.5L	3091
1040	110	150	225	335	375	237	27.5	29.0	5.0L	3092
1190	110	150	255	365	405	265	29.5	31.0	6.0L	3093
1490	110	150	315	425	465	325	33.5	35.0	7.5L	3094
2140	110	150	445	555	595	450	43.5	45.0	10.8L	3095
2490	110	150	515	625	665	520	49.0	50.5	12.4L	3096
1315	110	150	280	390	430	290	30.5	32.0	7.0L	3097
765	110	150	170	280	320	185	23.0	24.5	3.9L	3098
1850	110	150	395	505	545	402	39.0	40.5	9.5L	3099

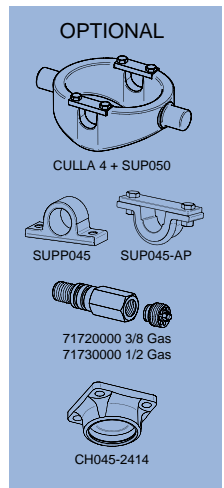
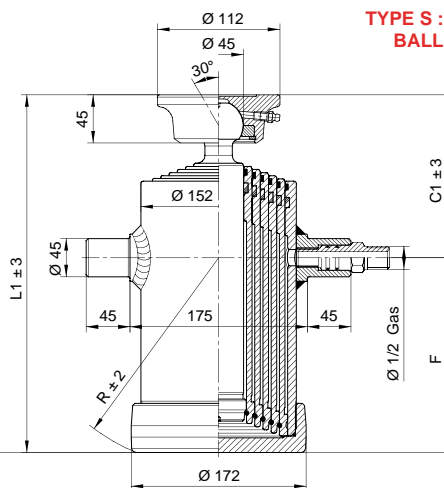
Available with Pin Hole (F) or Ball fitting (S) - please state when ordering



TYPE F :  
HOLE



TYPE S :  
BALL



### 6 Stage Trunnion Mounted Telescopic Cylinders

9 tonne at 180 bar

STROKE	CYLINDER DIMENSIONS						WEIGHT KG		VOLUME OF OIL	PART NUMBER
	C	C1	F	L	L1	R	F	S		
690	90	130	125	215	255	155	27.0	28.5	4.3L	6005
1005	115	155	185	300	340	205	34.5	36.0	6.5L	6006
1180	115	155	215	330	370	235	38.0	39.5	7.1L	6007
1480	115	155	265	380	420	280	44.0	45.5	8.9L	6008
1780	115	155	315	430	470	330	49.5	51.0	11.2L	6009
2257	115	155	395	510	550	405	54.5	56.0	12L	6010
2557	115	155	445	560	600	455	60.0	61.5	16L	6011
2977	115	155	515	630	670	525	68.0	69.5	19L	6012

Available with Pin Hole (F) or Ball fitting (S) - please state when ordering



### Under Body Tipping Cylinders

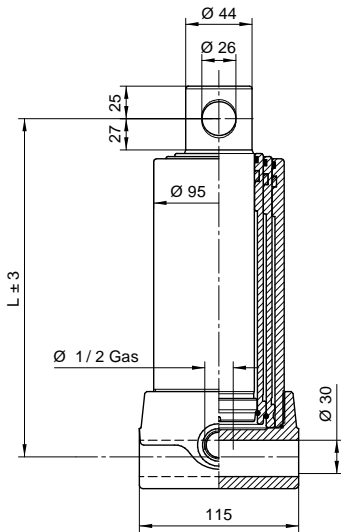
All cylinders stages are manufactured from high quality smooth bore tube and bright drawn bar. Inner tubes and rods can be chromed / nitrocecd on request if being used in hazardous conditions.

Standard features throughout the range:

1. Polyurethane piston seals are fitted to all stages for prolonged cylinder life
2. All piston seals are backed up with a wear ring for added support, this also assists with seal life by keeping extrusion gaps to a minimum.
3. All gland nuts are fitted with PTFE bronze filled bearing tape, chosen for its extensive wear and low friction properties.
4. Each stage when closing is being wiped by a special wiper ring which has been designed specifically to keep out the maximum amount of contamination
5. All gland nuts are headed for easy retraction, reducing servicing down time

	TONNAGE AT 2000PSI	CLOSED CENTRES	OPEN CENTRES	PIN SIZE	ROD DIAMETER	BASE DIAMETER	PORT SIZE (BSP)	OIL CAPACITY (Litres)	REF. NUMBER	PART NUMBER
2 STAGE	4/2	533	1233	20	31.75	70	3/8"	-	C916/A	
	4/2	660	1613	20	31.75	70	3/8"	2.09	C916/B	<b>C916B</b>
	4/2	737	1844	20	31.75	70	3/8"	2.36	C916/C	<b>C916C</b>
	5/3	AR	-	22.2	38	80	3/8"	-	-	
	7/4	914	2298	25.4	44.45	90	1/2"	5.14	C905/B	<b>W107</b>
	7/4	660	1613	25.4	44.45	90	1/2"	-	C905/E	
	8/4	AR	-	25.4	44.45	100	1/2"	-	-	
	10/5	876	2251	25.4	44.45	105	1/2"	7.55	C909/A	<b>W10</b>
	10/5	673	1642	25.4	44.45	105	1/2"	-	C909/C	
	10/5	914	2298	25.4	44.45	105	1/2"	7.68	C909/E	<b>C909E</b>
	10/5	1067	2820	25.4	44.45	105	1/2"	9.73	C909/F	<b>W30</b>
	10/5	978	2565	25.4	44.45	105	1/2"	-	C909/G	
	10/5	711	1746	25.4	44.45	105	1/2"	5.68	C909/J	
	12/8	1067	2794	31.75	50.8	120	1/2"	-	C902/B	
	12/8	914	2317	31.75	50.8	120	1/2"	10.82	C902/C	<b>C902/C</b>
12/8	711	1708	31.75	50.8	120	1/2"	-	C902/E		
3 STAGE	7/4/2	AR	-	20	31.75	90	1/2"	-	-	
	8/5/3	AR	-	22.2	38.1	100	1/2"	-	-	
	10/7/4	924	2917	25.4	44.45	105	1/2"	9.73	C901/A	<b>W106</b>
	10/7/4	876	2770	25.4	44.45	105	1/2"	-	C901/B	
	10/7/4	711	2131	25.4	44.45	120	1/2"	6.91	C901/D	<b>C901/D</b>
	12/8/5	914	2945	31.75	50.8	120	1/2"	13.00	C900/B	<b>W176</b>
	12/8/5	1092	3540	31.75	50.8	120	1/2"	15.68	C900/C	<b>W343</b>
	12/8/5	1016	3338	31.75	50.8	120	1/2"	14.82	C900/E	<b>C900/E</b>
	12/8/5	1245	4065	31.75	50.8	120	1/2"	18.05	C903/A	<b>C903/A</b>
	17/10/7	1085	3473	35	50.8	146	1/2"	-	C911/A	<b>C911/A</b>
	17/10/7	1161	3777	35	50.8	146	1/2"	-	C911/B	<b>C911/B</b>
4 STAGE	17/12/8/5	1021	3852	31.75	50.8	146	1/2"			
	17/12/8/5	1270	4197	31.75	50.8	146	1/2"	-	12992/A	
	17/12/8/5	1270	5177	31.75	50.8	146	1/2"	-	12992/B	

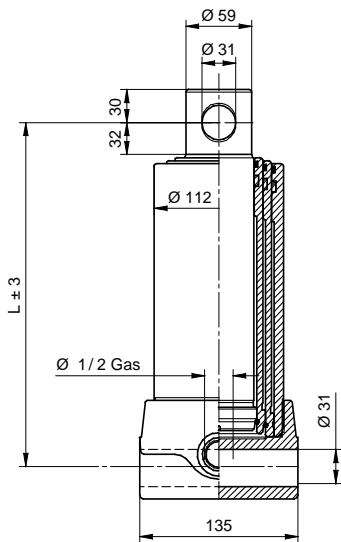
AR = As required



### 3 Stage Telescopic Cylinders

Total Weight Tip-Up 5 Ton @ 180 bar

STROKE	L	WEIGHT KG		VOLUME OF OIL	PART NUMBER
		F	S		
500	292	13	-	1.6	2631
593	322	14	-	2	2632
683	352	15.5	-	2.2	2633
790	387	17	-	2.5	2634
893	422	18.5	-	2.8	2635
1043	472	20.5	-	3.3	2636
1283	552	24	-	4	2637
1490	622	27.5	-	4.7	2638



### 3 Stage Telescopic Cylinders

Total Weight Tip-Up 8 Ton @ 180 bar

STROKE	L	WEIGHT KG		VOLUME OF OIL	PART NUMBER
		F	S		
500	302	21	-	2.5	3630
593	312	23	-	2.8	3631
683	362	25	-	3.3	3632
785	397	28	-	3.8	3633
893	432	30	-	4.2	3634
1043	482	34	-	5	3635
1283	562	39	-	6	3636
1493	632	43	-	7	3637

### Front Mounted Telescopic Tipping Cylinders

A complete range suitable to all tippers



#### TF Model

Telescopic front eye



#### TF-C Model

Telescopic front clutch



#### TF-H Model

Telescopic front hole / eye



#### TF-RH Model

Telescopic front reversed hole / eye



#### TF-RE Model

Telescopic front reversed eye / bearing



#### TF-EE Model

Telescopic front eye / eye









**PTO Kits**

We supply complete PTO kits suitable for most vehicle makes and models. Ask your Sales Representative or contact our Sales Staff with your inquiry



**Power Take Off Units**

We have a wide range of PTOs with different coupling systems, suitable for most existing vehicles: mechanical, pneumatic, vacuum-controlled and clutch coupling

	SERIES	DETAILS
	<b>Standard IMCB / IPN / IPV</b>	Side mounting PTO's, with standardized mechanic, pneumatic and vacuum engagement system to suit European and Asian light duty trucks. Output Version: 3-Bolt UNI
	<b>Light</b>	Co-Axial pneumatic PTO's suitable for several rear mounting gearboxes, available in UNI 3-Bolt, ISO 4-Bolt and drive flange configuration
	<b>Powertruck</b>	Compact size pneumatic PTO's suitable for medium duty applications on several rear mounting transmissions, Output Versions: 4-Bolt ISO and drive flange
	<b>Powerful</b>	Heavy Duty pneumatics PTO's suitable for several rear mounting gearboxes, available in ISO 4-Bolt and drive flange configuration
	<b>Twin-Power</b>	Heavy Duty double output pneumatic PTO's suitable for several rear mounting gearboxes, available in ISO 4-Bolt and drive flange configuration. Independent clutch available on demand
	<b>Heavy Duty</b>	Pneumatics PTO's Heavy Duty performance with single, double or triple outputs for ZF, Volvo and Scania gearboxes. Independent engagement systems also available
	<b>Slick-Shift</b>	Pneumatic clutches for special applications. Available in UNI 3-Bolt (250nm) and ISO 4-Bolt (400nm) configurations, with option for drive flange transmission
	<b>Allison MD</b>	"Slick-Shift" PTO's for Allison transmissions series MD



**Gear Pumps**

Our gear pumps include versions for medium, high and very high pressure (up to 320 bar), in various configurations (DIN, UNI, ISO, SAE) and displacement sizes (from 6-150cc). Tandem installations are also possible



**Mechanical and Pneumatic Controls**

Manual (line series), pneumatic (Modul-100 and kip-air series) electropneumatic (air-pack) and electronic (kiptronic) PTO controls and tipping valves

**STONE**

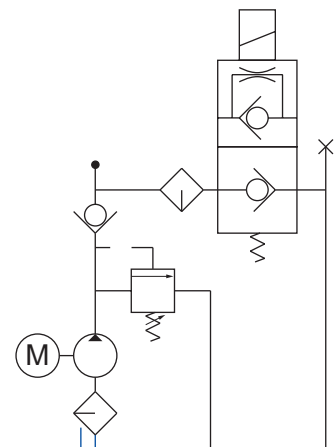


**DC Hydraulic Power Unit Applications**

No	VOLTAGE	MAXIMUM PRESSURE	TANK SIZE	PUMP	ADDITIONAL INFORMATION	PART NUMBER
-	12V	180 bar	5 litres	3.1cc	Power pack with 5 litre tank complete with pressure switch (hand pump not included)	UD2233B
1	12V	180 bar	7 litres	3.1cc	Power pack with 7 litre tank without hand pump suitable for 3½ Tonne Tippers	UD1845A
1	24V	180 bar	7 litres	3.1cc	Power pack with 7 litre tank without hand pump suitable for 3½ Tonne Tippers	UD2116B
1	12V	200 bar	6 litres	2.0 cc	Double acting power pack c/w 4/2 valve. No hold function. Suitable for low loader ramps etc.	UD2244A
1	24V	200 bar	7.2 litres	2.0 cc	Double acting power pack c/w 4/2 valve. No hold function. Suitable for low loader ramps etc. <i>With steel tank</i>	UD2372
1	24V	210 bar	9.8 litres	3.1 cc	Power pack with 9.8 litre tank suitable for Tippers	UD2262B
2	12V	180 bar	7 litres	1.6cc	Power pack with 7 litre tank c/w hand pump, battery cables with eyelets and isolator switch. Ideal for small tipping trailers	UD2517
3	24V	180 bar	14 litres	4.0cc	Power pack with 14 litre steel tank with extended heavy duty motor suitable for 7½ Tonne Tippers	UD2578



These power units have been designed for Dump Truck applications with power lift, hold and gravity lowering via a solenoid or manual release valve. Various tank sizes can be supplied to suit hydraulic cylinder capacities. An option to add a "Tipper Up" indication or warning pressure switch is available.



Typical Hydraulic Circuit



**Control to suit Power Pack**

DESCRIPTION	PART NUMBER
12 volt 2 button hand control to suit power pack	EF7119



**Controller Adaptor Cable**

DESCRIPTION	PART NUMBER
Adaptor cable to convert EF7119 for use on 24V	3467AA



**Wiring Loom to suit Power Pack**

DESCRIPTION	PART NUMBER
Fits directly onto power pack socket for wiring controls into cab	EF5092



**2 Button UP / DOWN Switch**

DESCRIPTION	PART NUMBER
2 button UP / DOWN switch with led light for cab mounting	14915500027



**Momentary UP / DOWN Switch - Plastic**

DESCRIPTION	PART NUMBER
Momentary UP / DOWN switch for cab mounting	12201101150




**Momentary UP / DOWN Switch - Steel**

DESCRIPTION	PART NUMBER
Momentary UP / DOWN switch for cab mounting	049600

**Hand Pumps**

Our hand pump range includes single acting and double acting versions for various displacement sizes (10-70cc / cycle) and configurations: for emergencies, for tank installation, with drain valve (for single acting cylinders), with flow inverter (for double acting cylinders) and with limit valve

	SERIES	DETAILS
	PMS	Double acting hand pumps, 12-25-45 cc, available with or without tank, to operate single acting rams. Available with let-down valve and spring return
	PMSD	Double acting hand pumps, 12-25-45 cc, with or without tank, to operate double acting cylinders. Available with let-down valve



**3 Way Tipper Joint Kits**

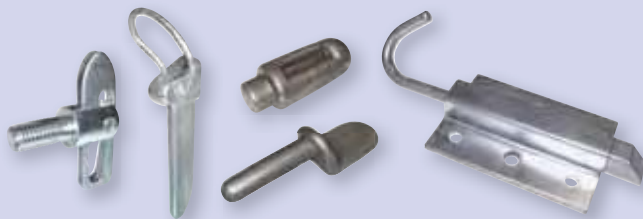
DESCRIPTION	PART NUMBER
60mm 3 way tipper joint kit to suit 3 1/2 tonne	10378
75mm 3 way tipper joint kit to suit 7 1/2 tonne	10379

For our complete range of Vehicle Body Parts see our Vehicle Accessories Catalogue. It contains listings on Hinges, Lugs, Cotters, Brackets, Wheel Chocks and a lot more.



**Body Mountings:**

Body Mounting Brackets, Guide Plates, Attachment Plates, Fixing Plates, Tie Bars & Rubber Pads



**Fastenings:**

Fastening Lugs, Eye Plates, Cotters, Linch Pins, Moon Clips, Lugs, Plate Hooks, Rope Hooks, Lashing & Tiedown Rings, Ramp Fasteners, Catches, Bonnet Hooks and Various types of Locks.



**Hinges:**

Bolt Hinges, Lift-Off Barrel Hinges, Coach Hinges, Door Hinges, Side Door Hinges, Rear Door Hinges and PVC Hinges

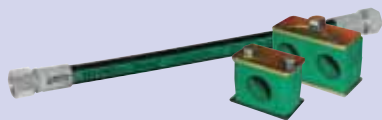


**Tipper Body Fittings:**

Locking Handles, Eye Bolts, Tabs, Lugs, Forkets, Skip Lugs, Tipper Blocks and Buffers



We offer a comprehensive Hydraulics Program, details of which are listed in our Hydraulics Catalogues.



**Hose:**

Hose 1/4" 1 wire to 2" 4 wire, Hose Guards, Hose Assemblies, Hose Assembly Machines, and Hose Clamps



**Two Piece Swage Couplings:**

BSP Couplings, JIC Couplings, Metric Couplings, Multispiral Couplings, Standpipe Couplings, SAE Flanged Fittings, ORFS Fittings, Poclairn Fittings, CAT Fittings, JIS Insert Couplings, Pressure Washer Fittings and Ferrules to suit all.



**Quick Release Couplings:**

Standard Couplings, Brake Couplings, Breakaway Couplings, Push-Pull Couplings, Flat Face Couplings and Multifaster Units



**Adaptors, Seals & Caps:**

BSP Adaptors, JIC Adaptors, Metric Adaptors, T-Pieces, Caps, Plugs, Washers, Banjo Bolts & Adaptors and Pressure Washer Adaptors.



**Steel Pipe & Couplings:**

Black Phosphatized & Galvanised Pipe, Couplings, Tee Pieces and Valves



**Valves:**

Bankable Control Valves, Directional Control Valves (Manual, Cable Control, Solenoid Control, Servo Control, Pneumatic Control), In-line Valves and Solenoid Bank Valves



**General Components:**

Gear Pumps & Motors, Hand Pumps, Accumulators, Filters, Gauges, Gearboxes and Tank Accessories.

**PVC Spiral Hose Guard**



SIZE	TO SUIT HOSE	TO SUIT BUNDLE	PART NUMBER
13 x 16mm	3/16 - 1/4"	12 - 18mm	<b>SGX-16-M</b>
16 x 20mm	1/4 - 3/8"	16 - 26mm	<b>SGX-20-M</b>
20 x 35mm	3/8 - 1/2"	20 - 27mm	<b>SGX-25-M</b>
27 x 32mm	5/8 - 3/4"	27 - 35mm	<b>SGX-32-M</b>
35 x 40mm	5/8 - 3/4"	30 - 35mm	<b>SGX-40-M</b>
40 x 50mm	3/4 - 1"	35 - 60mm	<b>SGX-50-M</b>
56 x 63mm	1 - 1 1/2"	35 - 75mm	<b>SGX-63-M</b>
65 x 75mm	2"	60 - 120mm	<b>SGX-75-M</b>
80 x 90mm	-	75 - 200mm	<b>SGX-90-M</b>



### Installation Material

A large variety of installation material is available from stock including Cable Connectors, Junction Boxes, Cable Ties, In Line Fuse Holders, Crimp Terminals and various Sockets and Plugs



### Electric Cable

CORE	SIZE	ROLL LENGTH	PART NUMBER
2 Core	2 x 1mm	100m	CA210100
5 Core	5 x 1mm	100m	CA510100
7 Core	7 x 1mm	100m	CA710100
7 Core	7 x 1.5mm	50m	CA715100



### Beacons

We stock a large range of Flashing / Rotating Beacons, available in 12 volt, 24 volt or dual voltage, with various types of bases including Magnetic, Bolt Mounted, Flexible, Vacuum Based and Pole Mounted



### VigiLED Beacon

DESCRIPTION	PART NUMBER
12 / 24 volt led Amber beacon c/w 1.8m cable	497022
12 / 24 volt led Red beacon c/w 1.8m cable	497023



### Rubber Back Rear Lamp

Height: 106mm  
Width: 240mm  
Depth: 75mm

DESCRIPTION	PART NUMBER
Rubber Back Rear Lamp	MP91B
REPLACEMENT PARTS TO SUIT	
Replacement Lens to suit	MP113B
12 Volt Replacement Bulb to suit	382GL & 207GL



### Lamp Cage

DESCRIPTION	PART NUMBER
Lamp Cage Dimensions: 279mm x 140mm x 89mm (11" x 5½" x 3½")	5290/001



**LED 2 Chamber Rear 192 x 100mm**

12 Volt c/w 2 metre socket and plug wiring kit

DIMENSIONS	VOLTAGE	WIRING KIT	PART NUMBER
192 x 100mm	12 Volt	2 metre	LA202N

**LED 2 Chamber Rear 192 x 100mm**

12 Volt c/w 2 metres of cable

DIMENSIONS	VOLTAGE	WIRING KIT	PART NUMBER
192 x 100mm	12 Volt	2 metre	LA202N2M2W



**LED 3 Chamber Rear 278 x 100mm**

12 Volt c/w 2 metre socket and plug wiring kit

DIMENSIONS	VOLTAGE	WIRING KIT	PART NUMBER
278 x 100mm	12/24 Volt	2 metre	LA210ARR



**LED 3 Chamber Rear 415 x 146mm**

12 Volt c/w 2 metre socket and plug wiring kit

DIMENSIONS	VOLTAGE	WIRING KIT	PART NUMBER
415 x 146mm	12/24 Volt	2 metre	LA209ARR



**LED Flush Mounted Marker Lamps**

POSITION	COLOUR	VOLTAGE	PART NUMBER
Front	White	24 Volt	1301570000
Side	Amber	24 Volt	1301570100
Rear	Red	24 Volt	1301570200



**LED Number Plate Light**

12/24 Volt

DESCRIPTION	PART NUMBER
LED Number Plate Light 12/24 Volt	LA300



**LED Resistors**

This may be required due to the low power consumption of LED lights which causes a faulty bulb warning to be displayed in the cab. The resistor increases the power consumption in the circuit.

DESCRIPTION	PART NUMBER
LED Resistors for 12 Volt circuit	LA312
LED Resistors for 24 Volt circuit	LA324



**Worklamps**

Available in both 12 and 24 volt in a variety of shapes, Round, Square and Rectangular



### Square Marker Board

DESCRIPTION	SIZE	PART NUMBER
Red and white reflective marker board	420 x 420mm	WB21405



### Rectangular Marker Boards

POSITION	SIDE	SIZE	PART NUMBER
Rear	Left Hand	145 x 1000mm	10377
Rear	Right Hand	145 x 1000mm	10376
Side	Left Hand	145 x 1200mm	10369
Side	Right Hand	145 x 1200mm	10368



### Marker Tape

POSITION	SIDE	ROLL LENGTH	PART NUMBER
Rear	Left Hand	50 Foot	MIR2LH
Rear	Right Hand	50 Foot	MIR2RH
Side	Left Hand	50 Foot	MIS2LH
Side	Right Hand	50 Foot	MIS2RH



### Full Colour Camera System

Contains:  
 7" flat screen monitor c/w remote control  
 18.3m cable  
 Colour camera with Sound and Night Vision  
 Junction Box (which allows for additional camera to be added)

DESCRIPTION	PART NUMBER
Full Colour camera system	CAS61302



### Black and White Camera System

Contains:  
 6" monitor  
 18.3m cable  
 Camera with Sound and Night Vision  
 Junction Box (which allows for additional camera to be added)

DESCRIPTION	PART NUMBER
Black and White camera system	CAS51302

For our complete range of Electrical Parts see our Vehicle Electrics Catalogue. It contains listings on Lights, Beacons, Batteries, Lighting Kits, Mirrors and much more

