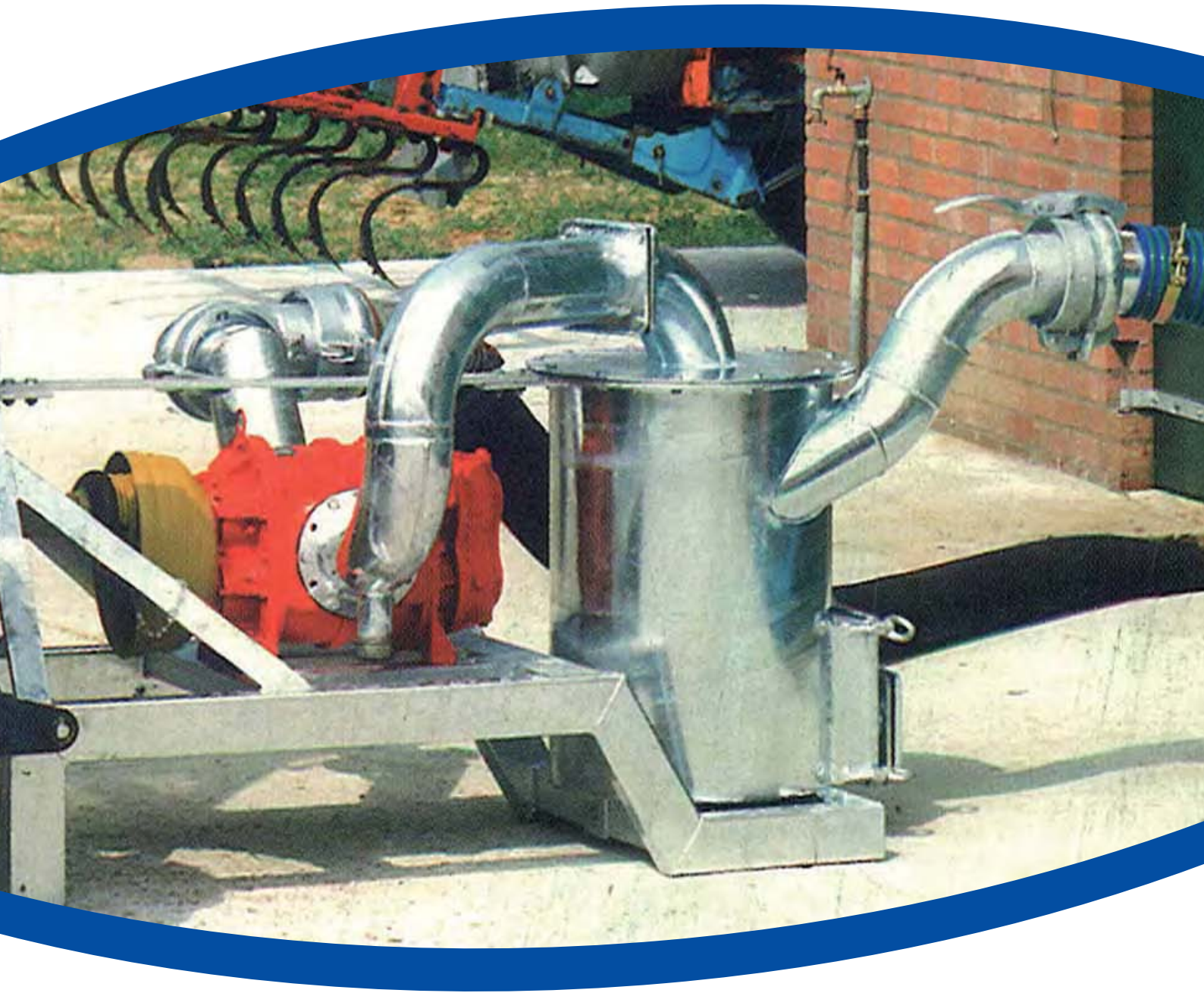


McHUGH

C O M P O N E N T S

www.mchc.ie



Slurry Storage

2010



ARIZONA™ Green Medium Hose

Description: A white spiral helix embedded in an opaque green flexible PVC.
Temp. Range: -25°C to +55°C

I.D.	I.D.	WEIGHT	BENDING RADIUS	BURSTING PRESSURE	VACUUM	ROLL LENGTH	PART NUMBER
5"	127mm	3600 gr/mtr	510mm	10 bar	9 m.H ₂ O	30m	5000100
6"	152mm	4700 gr/mtr	610mm	9 bar	9 m.H ₂ O	20m / 30m	6000100



ARIZONA™ Superelastic Hose

Description: A white spiral helix embedded in a grey superelastic flexible PVC. The hose has a patented green external spiral scuff strip
Temp. Range: -25°C to +55°C
Vacuum: 9 m.H₂O (Except for 10" which is 7 m.H₂O)

I.D.	I.D.	WALL THICKNESS	WEIGHT	BENDING RADIUS	WORKING PRESSURE	BURSTING PRESSURE	ROLL LENGTH	PART NUMBER
4"	102mm	7.3mm	2700 gr/mtr	400mm	3.0 bar	9.0 bar	30m	4000300
5"	127mm	8.3mm	3900 gr/mtr	510mm	2.5 bar	7.5 bar	30m	5000300
6"	152mm	9mm	5000 gr/mtr	610mm	2.0 bar	6.0 bar	20m	6000300



JAMAICA 'M' Dark Blue Layflat Hose

Description: Smooth and seamless black inner surface, particularly resistant to elongation, smooth cover. Very high adhesion between inner and outer layers. Highly resistant to abrasion and ageing
Temp. Range: -10°C to +60°C

I.D.	I.D.	WEIGHT	WORKING PRESSURE	BURSTING PRESSURE	ROLL LENGTH	PART NUMBER
4"	102mm	1000 gr/mtr	8 bar	24 bar	100m	1040000
5"	127mm	1150 gr/mtr	6 bar	18 bar	100m	1050000
6"	152mm	1600 gr/mtr	4 bar	12 bar	100m	1060000
6"	-	-	4 bar	-	100m	1060000
8"	-	-	4 bar	-	50m	1080000



Economy Blue Layflat Hose

Description: Smooth and seamless black inner surface, particularly resistant to elongation, smooth cover. Very high adhesion between inner and outer layers. Highly resistant to abrasion and ageing
Temp. Range: -10°C to +60°C

I.D.	I.D.	WEIGHT (gr / mtr)	WORKING PRESSURE	BURSTING PRESSURE	ROLL LENGTH	PART NUMBER
2"	-	-	3	-	100m	2020000
3"	-	-	3	-	100m	2030000
4"	-	-	3	-	100m	2040000
5"	127mm	1080 gr/mtr	7	-	50m	205000050
5"	127mm	1080 gr/mtr	7	-	100m	2050000



TERAMO Suction & Pressure Hose

Description: High strength synthetic cord plus helix wire.
Colour: Black
Material Int.: Smooth Rubber SBR
Material Ext.: Rubber SBR smooth with print in fabric
Temp. Range: -30°C to +80°C

I.D.	I.D.	O.D.	WORKING PRESSURE	BURSTING PRESSURE	ROLL LENGTH	PART NUMBER
5"	127mm	146mm	10 bar	30 bar	20m	9127900

1 Piece Hose Clip



TO SUIT HOSE SIZE		PART NUMBER
80 - 85mm		8085
86 - 91mm	3"	8691
104 - 112mm		104112
122 - 130mm		122130
131 - 139mm		131139
140 - 148mm	5"	140148
149 - 161mm		149161
162 - 174mm	6"	162174

Note:

The Imperial measurement in the "TO SUIT HOSE SIZE" column is a guide for **Super Elastic**, **Green Medium** and **Teramo** Hose **ONLY**. If you require hose clips to suit Layflat or any other type of hose, please contact our Sales Staff



Ball Lock Lever Type Shut Off Valve (Female/Female)

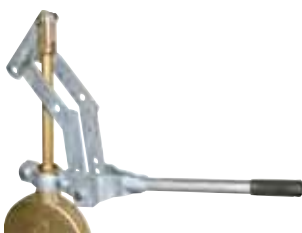
Temperature Continual from -20°C to +120°C

PORT SIZE BSP	PART NUMBER
2"	LTVFF2
2 1/2"	LTVFF212
3"	LTVFF3
4"	LTVFF4



Gate Valves

DESCRIPTION	6 " PART NUMBER	5 " PART NUMBER	4 " PART NUMBER	8 " PART NUMBER
Complete Valve	6000072	5000072	4000072	8000072



Operating Handle to suit MZ Valves

DESCRIPTION	PART NUMBER
Operating Handle to suite 4", 5 " and 6 " MZ Valves	6890000



KKV MALE Coupling with Flange End

COUPLING SIZE	FLANGE SIZE	LENGTH	PART NUMBER
5"	6"	150mm	5103000
6"	6"	150mm	6103000



KKV MALE Coupling with Hose End

COUPLING SIZE	TO SUIT HOSE SIZE	HOSE END LENGTH	PART NUMBER
5"	5"	210mm	5104000
6"	6"	210mm	6104000
6"	5"	-	6104005



KKV MALE Coupling with Hose End and Handle

COUPLING SIZE	TO SUIT HOSE SIZE	PART NUMBER
6"	6"	6104089



KKV MALE Threaded Coupling

COUPLING SIZE	THREAD SIZE	HOSE END LENGTH	PART NUMBER
5"	5"	230mm	5106000
6"	6"	160mm	6106000



KKM 90° FEMALE Coupling with Hose End

COUPLING SIZE	TO SUIT HOSE SIZE	PART NUMBER
5"	5"	5204090
6"	6"	6204090



KKM FEMALE Coupling with Hose End

COUPLING SIZE	TO SUIT HOSE SIZE	PART NUMBER
5"	5"	5204000
6"	6"	6204000
6"	5"	6204005



KKM FEMALE with Threaded Tube

COUPLING SIZE	THREAD SIZE	PART NUMBER
5"	5"	5206000
6"	6"	6206000



KKM Quick Release FEMALE with Flange

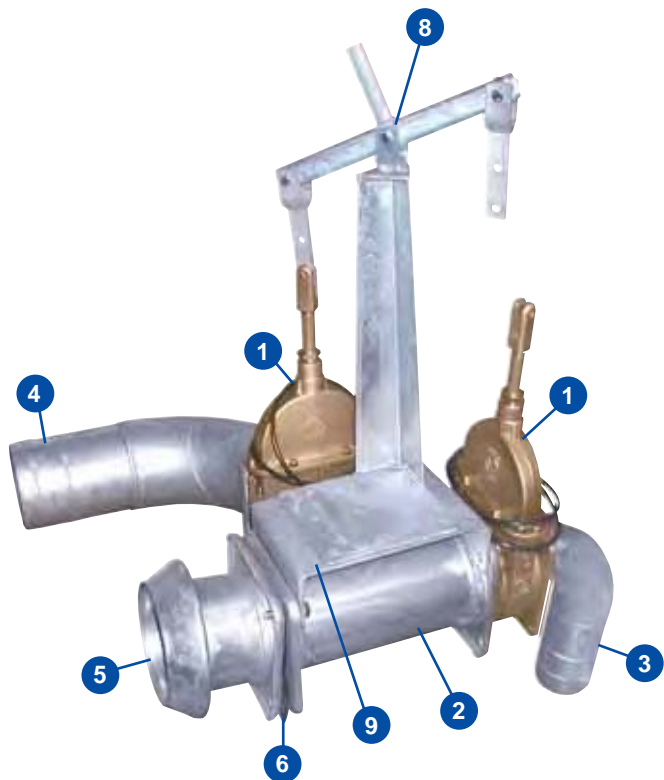
COUPLING SIZE	FLANGE SIZE	PART NUMBER
6"	6"	6205550



KKV Male Precision Sprinkler

COUPLING SIZE	PART NUMBER
5"	5107200
6"	6107200

Take Off Depot



PARTS	No.	DESCRIPTION	PART NUMBER
	1	6" Four bolt flange valve	6000072
	-	Optional - replaces original bush on valve for better support and easier movement	6041572Z
	2	6" T-Piece	6360000
	2	6" Y-Piece	6370000
	3	4" 90° Hose end c/w flange	4304090
	4	6" 90° Hose end c/w flange	6304090
	5	6" Male coupling c/w tube & flange	6103000
	6	6" Rubber gasket	6309800
	8	6" Operation handle	6350500
	9	Plate for operation handle	6360500
-	-	Extension rod for 6350500	6350506
	-	Fastening anchor	6358000



4 Hole Flange ' T ' Piece

FLANGE SIZE			LENGTH	PART NUMBER
6"	6"	6"	300mm	6360000



4 Hole Flange ' Y ' Piece

FLANGE SIZE			PART NUMBER
6"	6"	6"	6370000
8"	8"	8"	8370000
8"	6"	6"	8370606

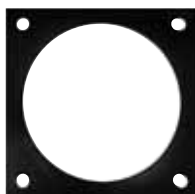


4 Hole Profile Flange

HOLE SIZE	PART NUMBER
5"	5300000
6"	6300000

4 Hole Blanking Flange

SIZE	PART NUMBER
6"	6309900



4 Hole Rubber Gasket

SIZE	PART NUMBER
3" - 6"	6309800



4 Hole Flange with 90° Hose End

TO SUIT HOSE SIZE	PART NUMBER
4"	4304090
5"	5304090
6"	6304090



90° Hose Joiner

TUBE SIZE	PART NUMBER
6"	6404090



Suction Hose End with Basket

SIZE	PART NUMBER
6"	6640000



Threaded Tube - Black

TUBE SIZE	LENGTH	PART NUMBER
4"	150mm	4600000
5"	150mm	5600000
6"	150mm	6600000



Weld-On 45° & 90° Bend - Black

BEND	SIZE	THICKNESS	PART NUMBER
45°	4"	-	FG4504N
45°	6"	-	FG4506N
90°	4"	3.6mm	4900000
90°	5"	5mm	5900000
90°	6"	5mm	6900000



Reducing Cone - Black

SIZE	PART NUMBER
100 x 60mm	0042500B
100 x 80mm	0040300B
120 x 100mm	0060500B



BAUER Type MALE Coupling with Hose End

COUPLING SIZE	TO SUIT HOSE SIZE	COLOUR	PART NUMBER
4"	4"	Galvanised	BA3094Z
5"	5"	Galvanised	BA3095Z
6"	6"	Galvanised	BA3096Z



BAUER Type MALE Coupling with Threaded Tube

COUPLING SIZE	THREAD SIZE	COLOUR	PART NUMBER
5"	5"	Galvanised	BA3115Z
6"	6"	Galvanised	BA3116Z



BAUER Type FEMALE Coupling with Hose End

COUPLING SIZE	TO SUIT HOSE SIZE	COLOUR	PART NUMBER
4"	4"	Galvanised	BA3104Z
5"	5"	Galvanised	BA3105Z
6"	6"	Galvanised	BA3106Z



BAUER Type FEMALE Coupling with Threaded Tube

COUPLING SIZE	THREAD SIZE	COLOUR	PART NUMBER
5"	5"	Galvanised	BA3125Z
6"	6"	Galvanised	BA3126Z



BAUER Type MALE / Hose End 90° Coupling

COUPLING SIZE	HOSE SIZE	COLOUR	PART NUMBER
5"	5"	Galvanised	BA3535Z
6"	5"	Galvanised	BA3536Z



BAUER Type FEMALE / Hose End 90° Coupling

COUPLING SIZE	HOSE SIZE	COLOUR	PART NUMBER
5	5	Galvanised	BA3545Z



BAUER Type MALE / FEMALE 90° Coupling

COUPLING SIZE	COLOUR	PART NUMBER
5"	Galvanised	BA3155Z
6"	Galvanised	BA3156Z



BAUER Type FEMALE / MALE Coupling

FEMALE SIZE	MALE SIZE	COLOUR	PART NUMBER
6"	5"	Galvanised	BA31865Z
4"	5"	Galvanised	BA31945Z



BAUER Type MALE / 4 Bolt Coupling

MALE SIZE	COLOUR	PART NUMBER
5"	Galvanised	BA3135Z
6"	Galvanised	BA3136Z



OM MALE Coupling with Hose End

COUPLING SIZE	HOSE SIZE	COLOUR	PART NUMBER
5"	5"	Galvanised	OM101
6"	6"	Galvanised	OM10



OM FEMALE Coupling with Threaded End

COUPLING SIZE	THREAD SIZE	COLOUR	PART NUMBER
6"	6"	Galvanised	OM14



OM FEMALE Coupling with Hose End

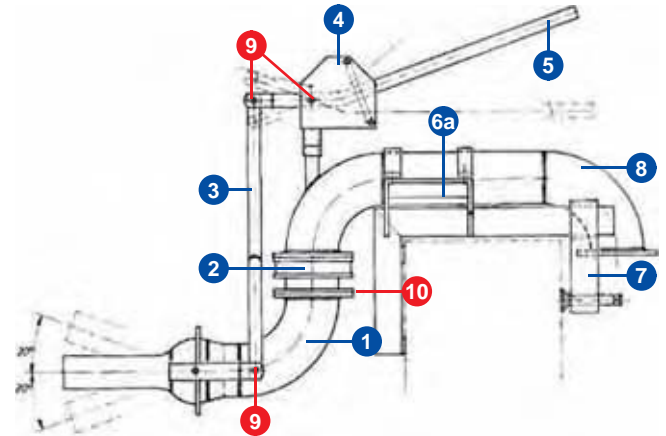
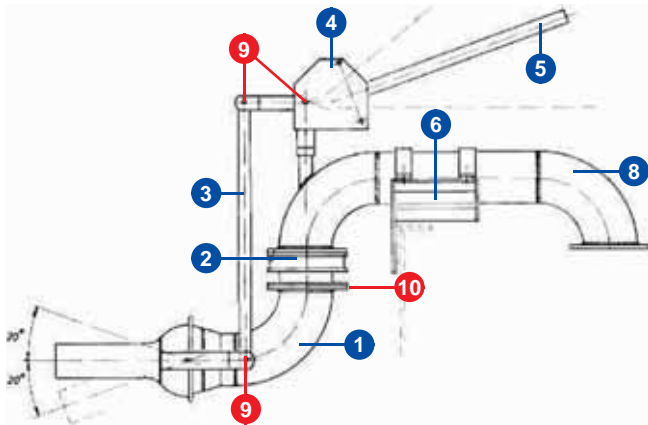
COUPLING SIZE	HOSE SIZE	COLOUR	PART NUMBER
5"	5"	Galvanised	OM91
6"	6"	Galvanised	OM9



Hose Pipe Joiners and Hose Tails

COUPLING SIZE	LENGTH	COLOUR	DESCRIPTION	PART NUMBER
4"	250mm	Galvanised	Pipe Joiner	OM2502
5"	250mm	Galvanised	Pipe Joiner	OM2501
6"	250mm	Galvanised	Pipe Joiner	OM250
5"	150mm	Black	Hose Tail	OM150

Slurry Jetter Parts

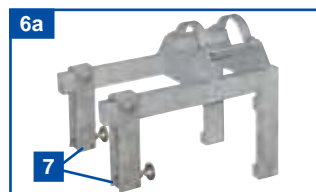
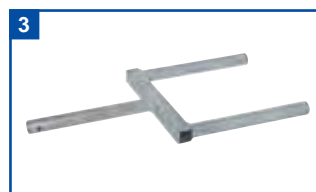
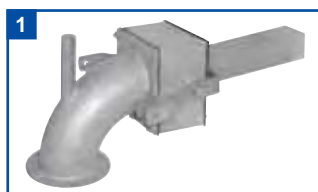


TYPE 87 for Steel Silo

No	DESCRIPTION	QTY	PART NUMBER
1	Sprinkler Head with 90° Bend	1	4800005
2	4" Nylon Rotation Coupling	1	4800022
3	Operating Fork	1	4800023
4	Operating Hinge	1	4800020
5	Control Handle	1	4800006
6	Clamp Device Steel Silo	1	4800025
7	-	-	-
8	Top Tube Assembly	1	4800002
9	M8 x 50 Bolts complete with Locknuts required for assembly of items 3, 4 & 5	4	
10	M8 Stainless Steel Bolts & Nuts required to join item 2 to item 8	6	

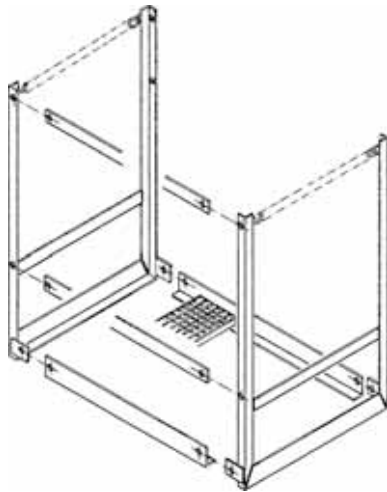
TYPE 81 for Concrete Silo

No	DESCRIPTION	QTY	PART NUMBER
1	Sprinkler Head with 90° Bend	1	4800005
2	4" Nylon Rotation Coupling	1	4800022
3	Operating Fork	1	4800023
4	Operating Hinge	1	4800020
5	Control Handle	1	4800006
6a	Clamp Device Concrete Silo	1	4800012
7	Outer Clamp with Spindle	2	4800027
8	Top Tube Assembly	1	4800002
9	M8 x 50 Bolts complete with Locknuts required for assembly of items 3, 4 & 5	4	
10	M8 Stainless Steel Bolts & Nuts required to join item 2 to item 8	6	



Steel Silo

Concrete Silo



Silo Inspection Platform

LENGTH	WIDTH	HEIGHT	PART NUMBER
1200mm	600mm	1200mm	9800010



Slurry Spreader Unit

For use with vertical slurry sprinkler systems

Details:

- Fits most tankers with square flanges
- Easy adjustment of height and width of diffusion
- Quick release mechanism enables fast removal of obstructions
- Flow easily regulated by use of the rubber plates

DESCRIPTION	PART NUMBER
Slurry spreader unit for vertical sprinkler systems	MI672



A range of PTO, Hydraulic or Electrical Motor, driven rotary lobe transfer pumps complete with stone traps and macerators can be sourced if required. Please contact our Sales Office with your inquiries