

McHUGH

C O M P O N E N T S

www.mchc.ie



Pressure Washer Parts

2010



High Foam Detergent

This is an advanced heavy duty industrial traffic film remover for use in hot or cold pressure washers, steam cleaners and jet wash machines where fast efficient high speed cleaning with minimum effort is required. Optimal dilution rate 1:100. Can be used in hard water areas. Leaves paintwork bright and clean. Suitable for all forms of degreasing. This is a biodegradable product.

DESCRIPTION	SIZE	PART NUMBER
High foam detergent	25 Litre	TFR025



Pressure Washer Gun c/w MT3 Moulded Lance (Less Nozzle)

Max Pressure: 280 bar / 4000 psi

Max Flow: 25 lpm

Max Temperature: 120°C

DESCRIPTION	INLET	OUTLET	PART NUMBER
Pressure washer gun c/w 900mm MT3 moulded lance	3/8" BSP Female	1/4" NPT Female	M4070900PW
Pressure washer gun c/w 1200mm MT3 moulded lance	3/8" BSP Female	1/4" NPT Female	M4071200PW
Pressure washer gun c/w 1500mm MT3 moulded lance	3/8" BSP Female	1/4" NPT Female	M4071500PW



High Pressure Stainless Steel Nozzle

Stainless steel. Angle: 15°

DESCRIPTION	THREAD	PART NUMBER
0.40mm high pressure stainless steel nozzle	1/4" NPT Male	170225PW
0.45mm high pressure stainless steel nozzle	1/4" NPT Male	170229PW
0.50mm high pressure stainless steel nozzle	1/4" NPT Male	170233PW



Heavy Duty High Pressure Washer Gun c/w MT7 Moulded Lance (Less Nozzle)

Max Pressure: 350 bar / 5000 psi

Max Flow: 45 lpm

Max Temperature: 150°C

DESCRIPTION	INLET	OUTLET	PART NUMBER
H.D. Pressure washer gun c/w 900mm MT7 moulded lance	3/8" BSP Female	1/4" NPT Female	ASTRA0900PW
H.D. Pressure washer gun c/w 1200mm MT7 moulded lance	3/8" BSP Female	1/4" NPT Female	ASTRA1200PW



High Pressure Stainless Steel Nozzle

Stainless steel. Angle: 15°

DESCRIPTION	THREAD	PART NUMBER
0.40mm high pressure stainless steel nozzle	1/4" NPT Male	170225PW
0.45mm high pressure stainless steel nozzle	1/4" NPT Male	170229PW
0.50mm high pressure stainless steel nozzle	1/4" NPT Male	170233PW



M407 Spray Gun

Max Pressure: 280 bar / 4000 psi
 Max Flow: 25 lpm
 Max Temperature: 120°C

DESCRIPTION	INLET	OUTLET	PART NUMBER
M407 spray gun	3/8" BSP Female	1/4" BSP Female	100002PW
PARTS TO SUIT			PART NUMBER
Spare parts kit to suit			410002PW



Astra Spray Gun

Max Pressure: 350 bar / 5000 psi
 Max Flow: 45 lpm
 Max Temperature: 150°C

DESCRIPTION	INLET	OUTLET	PART NUMBER
Astra spray gun	3/8" BSP Female	1/4" BSP Female	100007PW
PARTS TO SUIT			PART NUMBER
Spare parts kit to suit			410096PW
Sealing kit to suit - "Heavy Duty" 200°C to suit			410198PW
MINIKIT valve to suit			100123PW

MT3 Moulded Lance

Zinc plated steel
 Max Pressure: 280 bar / 4000 psi
 Max Flow: 40 lpm
 Max Temperature: 150°C



DESCRIPTION	INLET	OUTLET	PART NUMBER
900mm MT3 moulded lance	1/4" BSP Male	1/4" NPT Female	120371PW
1200mm MT3 moulded lance	1/4" BSP Male	1/4" NPT Female	120380PW
1500mm MT3 moulded lance	1/4" BSP Male	1/4" NPT Female	120386PW

MT7 Moulded Lance

Zinc plated steel
 Max Pressure: 310 bar / 4500 psi
 Max Flow: 40 lpm
 Max Temperature: 150°C



DESCRIPTION	INLET	OUTLET	PART NUMBER
900mm MT7 heavy duty moulded lance	1/4" BSP Male	1/4" NPT Female	120432PW
1200mm MT7 heavy duty moulded lance	1/4" BSP Male	1/4" NPT Female	120514PW

"SWORD" Lance for Car Wash with Filter

Stainless steel
 Max Pressure: 210 bar / 3100 psi
 Max Flow: 30 lpm
 Max Temperature: 90°C



DESCRIPTION	INLET	OUTLET	PART NUMBER
700mm Sword lance with filter	1/4" BSP Male	1/4" NPT Female	120121PW
900mm Sword lance with filter	1/4" BSP Male	1/4" NPT Female	120124PW

Brushes & Foam Enhancer on Page 7

Brush Lance

Stainless steel
 Max Pressure: 280 bar / 4100 psi



DESCRIPTION	INLET	OUTLET	PART NUMBER
950mm Brush lance	1/4" BSP Male	1/4" BSP Male	140030PW



Gun

Max Pressure: 280 bar / 4000 psi
 Max Flow: 25 lpm
 Max Temperature: 120°C

DESCRIPTION	INLET	OUTLET	PART NUMBER
Pressure gun	3/8" BSP Female	22mm Female	100004PW



Hose & Gun Kit (Less Lance)

Supplied with 8 metres of 1/4" super compact, lightweight hose

Max Pressure: 280 bar / 4000 psi
 Max Flow: 25 lpm
 Max Temperature: 120°C

DESCRIPTION	INLET	OUTLET	PART NUMBER
1/4" 8mtr hose and gun kit	22mm Female	22mm Female	100004PWKIT



Lances to suit Hose & Gun Kit

Max Pressure: 280 bar / 4000 psi
 Max Flow: 25 lpm
 Max Temperature: 120°C

LENGTH	INLET	OUTLET	PART NUMBER
700mm	22mm Male	1/4" NPT Female	140015PW
900mm	22mm Male	1/4" NPT Female	140017PW
1200mm	22mm Male	1/4" NPT Female	140019PW



High Pressure Stainless Steel Nozzle

Stainless steel. Angle: 15°

DESCRIPTION	THREAD	PART NUMBER
0.40mm high pressure stainless steel nozzle	1/4" NPT Male	170225PW
0.45mm high pressure stainless steel nozzle	1/4" NPT Male	170229PW
0.50mm high pressure stainless steel nozzle	1/4" NPT Male	170233PW

The following Nozzles are available on request

High Pressure Stainless Steel Nozzle

CAP SIZE	THREAD	ANGLE 0°	ANGLE 15°	ANGLE 25°	ANGLE 40°
0.15mm	1/4" NPT Male	-	170727PW	170331PW	-
0.20mm	1/4" NPT Male	170208PW	170209PW	170210PW	170211PW
0.25mm	1/4" NPT Male	170212PW	170213PW	170214PW	170215PW
0.30mm	1/4" NPT Male	170216PW	170217PW	170218PW	170219PW
0.35mm	1/4" NPT Male	170220PW	170221PW	170222PW	170223PW
0.40mm	1/4" NPT Male	170224PW	170225PW	170226PW	170227PW
0.45mm	1/4" NPT Male	170228PW	170229PW	170230PW	170231PW
0.50mm	1/4" NPT Male	170232PW	170233PW	170234PW	170235PW
0.55mm	1/4" NPT Male	170236PW	170237PW	170238PW	170239PW
0.60mm	1/4" NPT Male	170240PW	170241PW	170242PW	170243PW
0.65mm	1/4" NPT Male	170244PW	170245PW	170246PW	170247PW
0.70mm	1/4" NPT Male	170602PW	170603PW	170604PW	170605PW
0.75mm	1/4" NPT Male	170606PW	170607PW	170608PW	170609PW
0.80mm	1/4" NPT Male	170610PW	170611PW	170612PW	170613PW
0.85mm	1/4" NPT Male	170616PW	170619PW	170620PW	170621PW
0.90mm	1/4" NPT Male	170626PW	170627PW	170628PW	170629PW
0.95mm	1/4" NPT Male	-	170730PW	170732PW	-
1.00mm	1/4" NPT Male	170301PW	170321PW	170346PW	170364PW
1.10mm	1/4" NPT Male	170723PW	170322PW	170733PW	170740PW
1.20mm	1/4" NPT Male	170724PW	170323PW	170734PW	170741PW
1.30mm	1/4" NPT Male	170725PW	170325PW	170735PW	170742PW
1.40mm	1/4" NPT Male	170726PW	170793PW	170736PW	170743PW
1.50mm	1/4" NPT Male	170302PW	170326PW	170854PW	170744PW



Turbo Nozzle

Max Pressure: 280 bar / 4000 psi

Max Temperature: 100°C

DESCRIPTION	INLET	REPAIR KIT	PART NUMBER
0.45mm turbo nozzle	1/4" BSP Female	-	160217W



Turbo Nozzle - 3700psi

Max Pressure: 255 bar / 3700 psi

Max Temperature: 100°C

DESCRIPTION	INLET	REPAIR KIT	PART NUMBER
0.40mm turbo nozzle	1/4" BSP Female	410055PW	160072PW
0.45mm turbo nozzle	1/4" BSP Female	410056PW	160073PW
0.50mm turbo nozzle	1/4" BSP Female	410057PW	160074PW



High Pressure Retro Nozzle

Stainless steel

DESCRIPTION	THREAD	PART NUMBER
3+1 x 0.8mm - 055 retro nozzle	1/4" BSP Female	170013PW
3+1 x 1.0mm - 08 retro nozzle	1/4" BSP Female	170014PW
3+1 x 1.2mm - 095 retro nozzle	1/4" BSP Female	170015PW



Rotating Sewer Nozzle

Max Pressure: 250 bar / 3600 psi

DESCRIPTION	THREAD	PART NUMBER
3 x 0.8mm -045 rotating sewer nozzle	1/8" BSP Female	170431PW
3 x 0.8mm -045 rotating sewer nozzle	1/4" BSP Female	170430PW
3 x 1.2mm -09 rotating sewer nozzle	3/8" BSP Female	170432PW



Adjustable Pressure Nozzle Protector

Max Pressure: 250 bar / 3600 psi

Max Temperature: 150°C

DESCRIPTION	INLET	PART NUMBER
Adjustable pressure nozzle protector	1/4" BSP Female	160061PW



Nozzle Holder Fitting

DESCRIPTION	INLET	OUTLET	PART NUMBER
Nozzle holder fitting	1/4" BSP Female	1/4" NPT Female	380059PW



Rubber Nozzle Protector

DESCRIPTION	PART NUMBER
Rubber nozzle protector	370008PW



Adjustable Unloader with 2 Valves (with Handle)

Max Temperature: 90°C
Flow: 30lpm

INLET / OULET	BY-PASS	MAX PRESSURE	CC	PART NUMBER
3/8" BSP Female	3/8" BSP Female	200 bar / 3000 psi		180114PW
3/8" BSP Female	3/8" BSP Female	275 bar / 4000 psi		180115PW

Note: CC = Colour code



Adjustable Unloader with 2 Valves (without Handle)

Max Temperature: 90°C
Flow: 30lpm

INLET / OULET	BY-PASS	MAX PRESSURE	CC	PART NUMBER
3/8" BSP Female	3/8" BSP Female	200 bar / 3000 psi		180282PW
3/8" BSP Female	3/8" BSP Female	275 bar / 4000 psi		180666PW

Note: CC = Colour code



Adjustable Chemical Injector 3/8" Thread

Max Pressure: 250 bar / 3600 psi
Max Temperature: 150°C

DESCRIPTION	INLET	FLOW	PART NUMBER
Adjustable chemical injector	Ø 1.6mm	8:12 lpm	220040PW
Adjustable chemical injector	Ø 1.8mm	12:16 lpm	220041PW
Adjustable chemical injector	Ø 2.1mm	16:21 lpm	220039PW
Adjustable chemical injector	Ø 2.3mm	21:25 lpm	220042PW



Natural Hog Bristle Brush

DESCRIPTION	INLET	PART NUMBER
60mm Natural hog bristle brush	1/4" Female	260013PW
90mm Natural hog bristle brush	1/4" Female	260014PW

Brush Lances on Page 3



'RF80' Fixed Brush

DESCRIPTION	INLET	PART NUMBER
Horse hair bristles brush with 3mm nozzle	1/4" Female	260011PW



'TS200' Rotating Brush

DESCRIPTION	INLET	PART NUMBER
Horse hair bristles brush with 3mm nozzle	1/4" Male	260010PW



Foam Enhancer - Stainless Steel

Foam thickener for use with car wash brushes.

DESCRIPTION	INLET	OUTLET	PART NUMBER
Foam enhancer - Ø2.5mm	1/4" Female	1/4" Male	260021PW



High Pressure Quick Release Couplings (Free Flow)

Zinc plated
Max Pressure: 250 bar / 3600 psi

DESCRIPTION	THREAD	PART NUMBER
Female quick release coupling	3/8" BSP Female	C23543PW
Male quick release coupling	3/8" BSP Female	C23544PW



Hypress 1/4" Domestic Wash Hose Assemblies

Super compact, lightweight hose
 Hose Type: EN857 1SC
 Max Working Pressure: 225 bar
 Max Temperature: 100°C

Ideal for Domestic Washers.

FITTINGS	HOSE TYPE	8 METRE PART NUMBER	10 METRE PART NUMBER	12 METRE PART NUMBER	15 METRE PART NUMBER
3/8" Male & 3/8" Male	1SC04	DWH08MM	DWH10MM	DWH12MM	DWH15MM
3/8" Male & 3/8" Female	1SC04	DWH08MF	DWH10MF	DWH12MF	DWH15MF
3/8" Female & 3/8" Female	1SC04	DWH08FF	DWH10FF	DWH12FF	DWH15FF
22mm Kärcher & 3/8" Male	1SC04	DWH08KM	DWH10KM	DWH12KM	DWH15KM
22mm Kärcher & 3/8" Female	1SC04	DWH08KF	DWH10KF	DWH12KF	DWH15KF
22mm Kärcher & 22mm Kärcher	1SC04	DWH08KK	DWH10KK	DWH12KK	DWH15KK



Hypress 3/8" Pressure Washer Hose Assemblies

Super compact, lightweight hose
 Hose Type: EN857 2SC
 Max Working Pressure: 330 bar
 Max Temperature: 100°C

Also available in 1/4" or 5/16" hose - Please state when ordering.

FITTINGS	HOSE TYPE	10 METRE PART NUMBER	15 METRE PART NUMBER	20 METRE PART NUMBER	25 METRE PART NUMBER
3/8" Male & 3/8" Male	2SC06	PWH10MM	PWH15MM	PWH20MM	PWH25MM
3/8" Male & 3/8" Female	2SC06	PWH10MF	PWH15MF	PWH20MF	PWH25MF
3/8" Female & 3/8" Female	2SC06	PWH10FF	PWH15FF	PWH20FF	PWH25FF
22mm Kärcher & 3/8" Male	2SC06	PWH10KM	PWH15KM	PWH20KM	PWH25KM
22mm Kärcher & 3/8" Female	2SC06	PWH10KF	PWH15KF	PWH20KF	PWH25KF
22mm Kärcher & 22mm Kärcher	2SC06	PWH10KK	PWH15KK	PWH20KK	PWH25KK



Hypress 3/8" Hot Wash Hose Assemblies (Blue Hose)

Super compact, lightweight, non-marking hose
 Hose Type: EN857 2SC
 Max Working Pressure: 400 bar
 Max Temperature: 155°C

Also available in 'Long Life' hose simply add LL to the end of part number, e.g. HW20KMLL = 20m of 'Long Life' hose c/w Kärcher and 3/8" Male.

FITTINGS	HOSE TYPE	10 METRE PART NUMBER	15 METRE PART NUMBER	20 METRE PART NUMBER	25 METRE PART NUMBER
3/8" Male & 3/8" Male	2SC06SJBLUE	HW10MM	HW15MM	HW20MM	HW25MM
3/8" Male & 3/8" Female	2SC06SJBLUE	HW10MF	HW15MF	HW20MF	HW25MF
3/8" Female & 3/8" Female	2SC06SJBLUE	HW10FF	HW15FF	HW20FF	HW25FF
22mm Kärcher & 3/8" Male	2SC06SJBLUE	HW10KM	HW15KM	HW20KM	HW25KM
22mm Kärcher & 3/8" Female	2SC06SJBLUE	HW10KF	HW15KF	HW20KF	HW25KF
22mm Kärcher & 22mm Kärcher	2SC06SJBLUE	HW10KK	HW15KK	HW20KK	HW25KK



Bend Restrictors

DESCRIPTION	COLOUR	PART NUMBER
Bend restrictor to suit 1/4" 2SC hose	Black	KV6
Bend restrictor to suit 1/4" 2SC hose	Blue	KV6BLU
Bend restrictor to suit 5/16" 2SC hose	Black	KV8
Bend restrictor to suit 5/16" 2SC hose	Blue	KV8BLU
Bend restrictor to suit 3/8" 2SC hose	Black	KV10
Bend restrictor to suit 3/8" 2SC hose	Blue	KV10BLU



Black Pressure Washer Hose EN857 2SC

Reinforcement: 2 steel wire braids
Temperature Range: -40°C to +100°C



I.D	O.D. mm	WORKING PRESSURE	WEIGHT (gr/mtr)	PART NUMBER
1/4"	13.3	400 bar	295	2SC04
5/16"	14.8	350 bar	345	2SC05
3/8"	17.1	330 bar	415	2SC06
1/2"	20.4	275 bar	540	2SC08

Blue Hot Wash Hose EN857 2SC

Reinforcement: 2 steel wire braids
Temperature Range: -40°C to +155°C



I.D	O.D. mm	WORKING PRESSURE	WEIGHT (gr/mtr)	PART NUMBER
1/4"	13.4	400 bar	295	2SC04JBLUE
5/16"	15.0	400 bar	345	2SC05JBLUE
3/8"	17.4	400 bar	415	2SC06JBLUE
1/2"	20.6	400 bar	540	2SC08JBLUE

'LongLife' Blue Hot Wash Hose EN857 2SC

Reinforcement: 2 steel wire braids
Temperature Range: -40°C to +125°C



I.D	O.D. mm	WORKING PRESSURE	WEIGHT (gr/mtr)	PART NUMBER
3/8"	17.4	400 bar	415	2SC06JBLUELL



Swage Ferrule for 2 wire hose (Non Skive)

To suit 2SC / 2SN hose



HOSE ID	SKIVE LENGTH	PART NUMBER
1/4"	Non Skive	F2SN04
5/16"	Non Skive	F2SN05
3/8"	Non Skive	F2SN06
1/2"	Non Skive	F2SN08

Swage Ferrule for 2 wire hose (Skive)

To suit 2SC hose



HOSE ID	SKIVE LENGTH	PART NUMBER
1/4"	23mm	FR16-04
5/16"	23mm	FR16-05
3/8"	24mm	FR16-06
1/2"	25mm	FR16-08

We can manufacture hoses to any length with the required fittings. Simply contact a member of our Sales Staff

BSP Fittings

60° Cone



HOSE ID	THREAD	MALE STRAIGHT	FEMALE STRAIGHT	45° SWEPT ELBOW	90° SWEPT ELBOW	90° BLOCK ELBOW
1/4"	1/4" BSP	0350-04-04	0050-04-04	0250-04-04	0150-04-04	2300-04-04
1/4"	3/8" BSP	0350-04-06	0050-04-06	0250-04-06	0150-04-06	2300-04-06
5/16"	3/8" BSP	0350-05-06	0050-05-06	0250-05-06	0150-05-06	-
3/8"	3/8" BSP	0350-06-06	0050-06-06	0250-06-06	0150-06-06	2300-06-06
3/8"	1/2" BSP	0350-06-08	0050-06-08	0250-06-08	0150-06-08	2300-06-08
1/2"	1/2" BSP	0350-08-08	0050-08-08	0250-08-08	0150-08-08	2300-08-08



Female 22mm Pressure Washer Insert

HOSE ID (INCH)	THREAD	PART NUMBER
1/4"	M22-1.5	FK50-04-22
5/16"	M22-1.5	FK50-05-22
3/8"	M22-1.5	FK50-06-22

Male Insert for Gun

HOSE ID (INCH)	PART NUMBER
1/4"	FN50-04-22
5/16"	FN50-05-22

Hose Joiner

HOSE ID (INCH)	PART NUMBER
1/4"	D050-04
5/16"	D050-05
3/8"	D050-06
1/2"	D050-08

BSP Female / BSP Female



FEMALE THREAD	FEMALE THREAD	PART NUMBER
1/4"	1/4"	616-04-04
1/4"	3/8"	615-04-06
1/4"	1/2"	615-04-08
3/8"	3/8"	616-06-06
3/8"	1/2"	615-06-08
1/2"	1/2"	616-08-08
1/2"	3/4"	615-08-12
3/4"	3/4"	616-12-12
3/4"	1"	615-12-16
1"	1"	616-16-16

BSP Male / BSP Male



MALE THREAD	MALE THREAD	PART NUMBER
1/8"	1/8"	636-02-02
1/8"	1/4"	635-02-04
1/4"	1/4"	636-04-04
1/4"	3/8"	635-04-06
3/8"	3/8"	636-06-06
1/4"	1/2"	635-04-08
3/8"	1/2"	635-06-08
1/2"	1/2"	636-08-08
1/4"	3/4"	635-04-12
3/8"	3/4"	635-06-12
1/2"	3/4"	635-08-12
3/4"	3/4"	636-12-12
1/4"	1"	635-04-16
3/8"	1"	635-06-16
1/2"	1"	635-08-16
3/4"	1"	635-12-16
1"	1"	636-16-16

BSP Male / BSP Female



MALE THREAD	FEMALE THREAD	PART NUMBER
1/4"	1/4"	626-04-04
1/4"	3/8"	625-04-06
3/8"	1/4"	625-06-04
3/8"	3/8"	626-06-06
3/8"	1/2"	625-06-08
3/8"	3/4"	625-06-12
1/2"	1/4"	625-08-04
1/2"	3/8"	625-08-06
1/2"	1/2"	626-08-08
1/2"	3/4"	625-08-12
3/4"	3/8"	625-12-06
3/4"	1/2"	625-12-08
3/4"	3/4"	626-12-12
3/4"	1"	625-12-16
1"	3/4"	625-16-12
1"	1"	626-16-16



Full listings on all Adaptors and Fittings in our range are shown in our Hydraulics Catalogue.

Contact a member of our Sales Staff if you require a copy. You can download a pdf version at www.mchc.ie



90° BSP Male / BSP Female

MALE THREAD	FEMALE THREAD	SWEPT	BLOCKED
1/8"	1/8"	-	6269-02-02B
1/4"	1/4"	6269-04-04	6269-04-04B
3/8"	3/8"	6269-06-06	6269-06-06B
1/2"	1/2"	6269-08-08	6269-08-08B
3/4"	3/4"	6269-12-12	6269-12-12B
1"	1"	6269-16-16	6269-16-16B



90° Swept BSP Male / BSP Male

MALE THREAD	MALE THREAD	SWEPT	BLOCKED
1/4"	1/4"	6369-04-04	6369-04-04B
3/8"	3/8"	6369-06-06	6369-06-06B
3/8"	1/2"	-	6359-06-08B
1/2"	1/2"	6369-08-08	6369-08-08B
3/4"	3/4"	6369-12-12	6369-12-12B
1"	1"	6369-16-16	6369-16-16B



90° Swept BSP Female / BSP Female

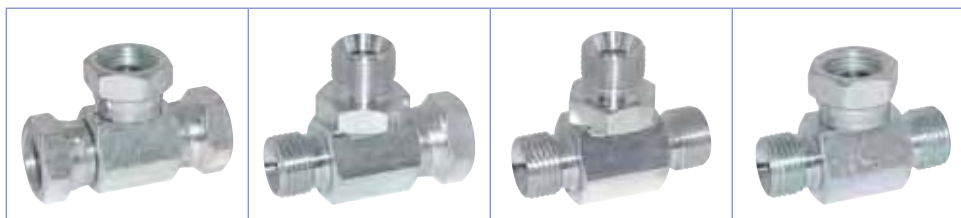
FEMALE THREAD	FEMALE THREAD	SWEPT	BLOCKED
1/4"	1/4"	6169-04-04	6169-04-04B
3/8"	3/8"	6169-06-06	6169-06-06B
1/2"	1/2"	6169-08-08	6169-08-08B
3/4"	3/4"	6169-12-12	6169-12-12B
1"	1"	6169-16-16	6169-16-16B



ANV / NV Quick Release Couplings

Max Pressure: 300 bar
Max Flow: 65 lpm

TYPE	PART NUMBER
Female with 1/2" BSP Female Thread	C23071
Male with 1/2" BSP Female Thread	C23072



BSP Tee Piece

THREAD SIZES	FEMALE FEMALE FEMALE	FEMALE MALE MALE	MALE MALE MALE	MALE FEMALE MALE
1/4" / 1/4" / 1/4"	TFFF-04	TFMM-04	TMMM-04	TMFM-04
3/8" / 3/8" / 3/8"	TFFF-06	TFMM-06	TMMM-06	TMFM-06
1/2" / 1/2" / 1/2"	TFFF-08	TFMM-08	TMMM-08	TMFM-08
3/4" / 3/4" / 3/4"	TFFF-12	TFMM-12	TMMM-12	TMFM-12
1" / 1" / 1"	TFFF-16	TFMM-16	TMMM-16	TMFM-16

BSP Caps & Plugs



THREAD	CAP	PLUG
1/8"	02BBC	02BBP
1/4"	04BBC	04BBP
3/8"	06BBC	06BBP
1/2"	08BBC	08BBP
3/4"	12BBC	12BBP
1"	16BBC	16BBP

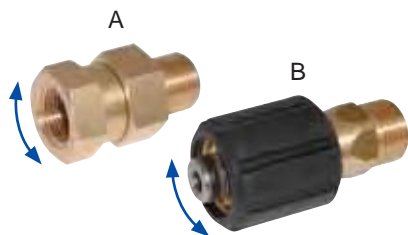
Bonded Seals & Copper Washers



SIZE	BONDED SEAL	COPPER WASHER
1/4"	DW04	CW04
3/8"	DW06	CW06
1/2"	DW08	CW08
3/4"	DW12	-
1"	DW16	-

Swivel Couplings for Hose to Gun Connection

Max Pressure: 250 bar / 3600 psi
Max Flow: 30 lpm



TYPE	DESCRIPTION	PART NUMBER
A	Swivel coupling 3/8" BSP Female with 3/8" BSP Male	220069PW
B	Swivel coupling M22x1.5 Female with 1/4" BSP Male	220070PW
B	Swivel coupling M22x1.5 Female with M22x1.5 Male	220071PW
B	Swivel coupling M22x1.5 Female with 3/8" BSP Male	220164PW
B	Swivel coupling M22x1.5 Female with 1/2" BSP Male	502212

Swivel Coupling - SL Series for Hose to Gun Connection

Max Pressure: 280 bar / 4100 psi
Max Flow: 40 lpm
Max Temperature: 150°C



DESCRIPTION	INLET	OUTLET	PART NUMBER
Swivel coupling	3/8" Female	3/8" Male	220075PW

22mm Female / BSP Female Adaptor to suit Kärcher

"Standard" with Ø14mm piston
Max Pressure: 280 bar / 4100 psi
Max Temperature: 160°C



DESCRIPTION	PART NUMBER
22mm Female with 1/4" BSP Female	240030PW
22mm Female with 3/8" BSP Female	240028PW
22mm Female with 1/2" BSP Female	482212

22mm Female / BSP Male Adaptor to suit Kärcher

"Standard" with Ø14mm piston
Max Pressure: 280 bar / 4100 psi
Max Temperature: 160°C



DESCRIPTION	PART NUMBER
22mm Female with 1/4" BSP Male	240029PW
22mm Female with 3/8" BSP Male	240027PW
22mm Female with 1/2" BSP Male	240026PW

22mm Female / BSP Male Adaptor with Long Piston

Long piston with 2 O' Rings
Max Pressure: 280 bar / 4100 psi
Max Temperature: 160°C



DESCRIPTION	PART NUMBER
22mm Female long type with 1/4" BSP Male	240036PW
22mm Female long type with 3/8" BSP Male	240037PW
22mm Female long type with M22 Male	240038PW

22mm Male / Male Brass Adaptors to suit Kärcher

Material: Brass
Max Pressure: 280 bar / 4100 psi
Max Temperature: 160°C



DESCRIPTION	PART NUMBER
22mm Male with 1/4" BSP Male	240022PW
22mm Male with 3/8" BSP Male	240020PW
22mm Male with 1/2" BSP Male	240019PW
22mm Male with 22mm Male	240024PW

22mm Male / BSP Female Fixed Adaptor to suit Kärcher

Material: Brass
Max Pressure: 280 bar / 4100 psi
Max Temperature: 160°C



DESCRIPTION	PART NUMBER
22mm Male with 3/8" BSP fixed Female	240021PW
22mm Male with 1/2" BSP fixed Female	KA2212BI



Retracta® Auto Rewind Hose Reels

Retracta® is the robust market leader in rewind hose reel systems. Retractable® is the answer to storage and safety problems.

Features

- Superior positive latching mechanism allows the reel to be mounted in any position
- Weather resistant, high impact UV stabilised polypropylene
- Safe storage system that keeps hoses off the floor
- Versatile - average weight with hose is 12 Kg
- Low rewind tension allows for easy hose "pull out"
- Full stainless steel mouth for improved hose and reel service life
- Lockable wall or overhead mounting bracket BU100 is supplied with every hose reel purchase and allows for hose reel rotation through 180°
- Fully repairable

Technical Information

PART NUMBER	WORKING PRESSURE	HOSE MATERIAL	MAX WORKING TEMPERATURE	REEL INLET (BSP)	HOSE OUTLET (BSP)	WEIGHT
CW100	1000 kPa (150 psi)	Reinforced PVC	60° C	3/8"	Hose Nozzle	10Kg
HWP100	20700 kPa (3000 psi)	Reinforced Rubber (SAE 100 R2AT)	95° C	3/8"	3/8"	12Kg

APPLICATION	HOSE ID (mm)	HOSE LENGTH	HOSE COLOUR	REEL COLOUR	PART NUMBER
Cold Wash	12.5	15 metre	White	Blue	CW100
High Pressure Hot Water	10	12 metre	Black	Red	HWP100 *

* HWP100 is not suitable for use with steam



Metal Hose Reel - complete with Hose

Features

- Heavy duty steel construction for a long life in both the industrial and automotive sectors
- Reel is coated with a durable blue powder coated finish
- Support arms are hot dip galvanized for a corrosion free finish
- Dual pedestal base
- Double support 1 3/8" axle
- Full flow shaft and swivel assembly, structurally reinforced
- Multi position roller guide assembly
- Latching of the hose at any required length up to 15m
- Four way roller guides to reduce hose wear
- Floor, wall or ceiling mount
- Internally mounted fully enclosed and lubricated spring assembly

INLET / OUTLET	MAX PRESSURE	HOSE ID	HOSE LENGTH	DIMENSIONS	PART NUMBER
3/8"	276bar 4000psi	3/8"	15m	520 x 230 x 540mm	C820350H



Stainless Steel Reel - Less Hose

Features

- Heavy duty stainless steel construction
- Double support solid 1" stainless steel axle
- Latching of hose at any length
- Full automatic hose rewind for neat and tidy storage
- Non-sag roller guides reduce hose wear
- Slotted and drilled mounting hose for easy installation
- Externally mounted full flow stainless steel swivel assembly
- Supplied as a bare reel

Low Pressure Stainless Steel Reels

INLET / OUTLET	MAX PRESSURE	HOSE ID	POSSIBLE HOSE LENGTH	DIMENSIONS	PART NUMBER
3/8"	20bar 300psi	3/8"	15m	550 x 220 x 530mm	CSS808350L
1/2"	20bar 300psi	1/2"	15m	550 x 220 x 530mm	CSS808450L
1/2"	20bar 300psi	1/2"	20m	550 x 220 x 530mm	CSS808465L
3/4"	20bar 300psi	3/4"	8m	550 x 220 x 530mm	CSS808525L

Medium Pressure Stainless Steel Reels

INLET / OUTLET	MAX PRESSURE	HOSE ID	POSSIBLE HOSE LENGTH	DIMENSIONS	PART NUMBER
3/8"	200bar 3000psi	3/8"	15m	550 x 220 x 530mm	CSS808350M
1/2"	200bar 3000psi	1/2"	15m	550 x 220 x 530mm	CSS808450M

POLIPO General Purpose Hose

Application: Air, Oil and Water
 Temperature Range: -5°C to +60°C



I.D mm	O.D. mm	WORKING PRESSURE			COIL LENGTH	PART NUMBER
		20°C	40°C	60°C		
6	12	15 bar	11 bar	7 bar	100	612B
8	15	15 bar	11 bar	7 bar	100	814B
10	15	15 bar	11 bar	7 bar	100	1015B
13	23	18 bar	16 bar	14 bar	100	1323
19	30	15 bar	11 bar	7 bar	60	1918B
25	35	15 bar	11 bar	7 bar	60	2515B*
25	33	10 bar	7 bar	4 bar	60	2533

* Polyurethane liner suitable for diesel

RAGNO CR - Air / Water Hose

Application: Air, Water, Cooling Liquids, Chemical Solutions and Food and Canning Industry
 Temperature Range: -5°C to +60°C



I.D mm	O.D. mm	WORKING PRESSURE BAR			COIL LENGTH	PART NUMBER
		20°C	40°C	60°C		
6	12	20 bar	16 bar	12 bar	30	612
8	14	18 bar	13 bar	9 bar	30	813
10	16	18 bar	13 bar	9 bar	30	1015
13	19	12 bar	9 bar	6 bar	30	1318
16	22	10 bar	7 bar	4 bar	30	1621
19	26	10 bar	7 bar	4 bar	30	1925
25	33	8 bar	5 bar	3 bar	30	2532
32	42	8 bar	4 bar	2 bar	30	3242
38	48	8 bar	4 bar	2 bar	30	3848
50	60	8 bar	4 bar	2 bar	30	5060H

SOLEIL PREMIER

Description: Extremely soft, lined in black PVC. Outer surface in top-quality yellow PVC. Knitted textile reinforcement. Perfectly circular cross-section
 Application: Gardening, Irrigation, Construction Industry - Building and Marine
 Temperature Range: -5°C to +60°C



I.D (mm)	O.D. (mm)	WEIGHT (gr/mtr)	WORKING PRES- SURE	BURSTING PRESSURE	PART NUMBER
13	18	170	10 bar	30 bar	1312
16	22	235	10 bar	30 bar	1612
19	25	310	8 bar	24 bar	1912
25	32	410	8 bar	24 bar	2512

RAGNO PU

Description: Reinforced hose made of an anti-abrasive PU and thermoplastic rubber compound.
 Application: Pneumatic tooling, spray and paint guns, sandblasting, blow and inflation.
 Temperature Range: -5°C to +60°C



I.D (mm)	O.D. (mm)	ROLL SIZE	WORKING PRES- SURE	BURSTING PRESSURE	PART NUMBER
6	10	100	20 bar	60 bar	RAGNO6
8	12	60	20 bar	60 bar	RAGNO8
10	15	50	20 bar	60 bar	RAGNO10
13	19	30	20 bar	60 bar	RAGNO13
16	23	25	20 bar	60 bar	RAGNO16

Worm Screw Hose Clamps



TO SUIT HOSE OD (mm)	BOX QTY	STAINLESS STEEL	PART NUMBER
10 - 16	100	SGT1016RVS	SGT1016
12 - 20	50	SGT1220RVS	SGT1220
16 - 25	50	SGT1625RVS	SGT1625
20 - 32	50	SGT2032RVS	SGT2032
23 - 35	50	SGT2335RVS	SGT2335
25 - 40	50	SGT2540RVS	SGT2540
30 - 45	50	SGT3045RVS	SGT3045
32 - 50	50	SGT3250RVS	SGT3250



GEKA Type Hose End Coupling

HOSE TAIL SIZE (Inch)	DESCRIPTION	PART NUMBER
3/8"	Hose End Coupling - GEKA Type	217149
1/2"	Hose End Coupling - GEKA Type	217150
5/8"	Hose End Coupling - GEKA Type	217156
3/4"	Hose End Coupling - GEKA Type	217151
1"	Hose End Coupling - GEKA Type	217152
1 1/4"	Hose End Coupling - GEKA Type	217153
1 1/2"	Hose End Coupling - GEKA Type	217154



GEKA Type Female Coupling

THREAD SIZE (Inch)	DESCRIPTION	PART NUMBER
3/8"	Female Coupling - GEKA Type	217157
1/2"	Female Coupling - GEKA Type	217158
3/4"	Female Coupling - GEKA Type	217159
1"	Female Coupling - GEKA Type	217160
1 1/4"	Female Coupling - GEKA Type	217161
1 1/2"	Female Coupling - GEKA Type	217162



GEKA Type Male Coupling

THREAD SIZE (Inch)	DESCRIPTION	PART NUMBER
3/8"	Male Coupling - GEKA Type	217164
1/2"	Male Coupling - GEKA Type	217165
3/4"	Male Coupling - GEKA Type	217166
1"	Male Coupling - GEKA Type	217167
1 1/4"	Male Coupling - GEKA Type	217168
1 1/2"	Male Coupling - GEKA Type	217169



GEKA Type 'Y' Adaptor

DESCRIPTION	PART NUMBER
'Y' Adaptor - GEKA Type	217170



GEKA Type Blanking Cap

DESCRIPTION	PART NUMBER
Blanking Cap - GEKA Type	217171



GEKA Type Sealing Ring

DESCRIPTION	PART NUMBER
Sealing Ring - GEKA Type	217190



Spray Nozzle with Insert Nipple

DESCRIPTION	PART NUMBER
Spray Nozzle	WK33091
Rubber O' Ring to suit	2621078OR



Insert Nipple with Hose Connection

HOSE SIZE (Inch)	DESCRIPTION	PART NUMBER
1/2"	Insert Nipple with Hose Connection	WK33021
3/4"	Insert Nipple with Hose Connection	WK33022
	Rubber O' Ring to suit	2621078OR



Coupling with Hose Connection

HOSE SIZE (Inch)	DESCRIPTION	PART NUMBER
1/2"	Coupling with Hose Connection	WK33031
3/4"	Coupling with Hose Connection	WK33032



Coupling with Hose Connection c/w Valve

HOSE SIZE (Inch)	DESCRIPTION	PART NUMBER
1/2"	Coupling with Connection & Valve	WK33041
3/4"	Coupling with Connection & Valve	WK33042



90° Insert Nipple with Female Threaded End

THREAD SIZE (inch)	DESCRIPTION	PART NUMBER
3/4"	90° Insert Nipple with Female Threaded End	WK33062
	Rubber O' Ring to suit	2621078OR



Nipple with Female Threaded End

THREAD SIZE (inch)	DESCRIPTION	PART NUMBER
1/2"	Insert Nipple with Female Threaded End	WK33121
3/4"	Insert Nipple with Female Threaded End	WK33122
1"	Insert Nipple with Female Threaded End	WK33123
	Rubber O' Ring to suit	2621078OR



Nipple with Male Threaded End

THREAD SIZE (inch)	DESCRIPTION	PART NUMBER
1/2"	Insert Nipple with Male Threaded End	WK33221
3/4"	Insert Nipple with Male Threaded End	WK33222
	Rubber O' Ring to suit	2621078OR



Hose Connection

HOSE SIZE (Inch)	DESCRIPTION	PART NUMBER
1/2"	Hose Connection	WK33321
3/4"	Hose Connection	WK33322



2-Way Insert Nipple

DESCRIPTION	PART NUMBER
2-Way Insert Nipple	WK33051
Rubber O' Ring to suit	2621078OR



'Y' Connection with 3 x Nipple Ends

Shut-Off Valves on 2 Nipple Ends

DESCRIPTION	PART NUMBER
2-Way Valve	WK53312
Rubber O' Ring to suit	2621078OR



'Y' Connection with 1 x 3/4" Female & 2 x Nipple Ends

Shut-Off Valves on both Nipple Ends

DESCRIPTION	PART NUMBER
'Y' Connection with 3/4" Female	WK53313
Rubber O' Ring to suit	2621078OR



Male / Male GB Nipple

DESCRIPTION	PART NUMBER
1/4" Male - 1/4" Male GB Hex Nipple	TOG1078
1/2" Male - 1/2" Male GB Hex Nipple	TOG1079
3/4" Male - 3/4" Male GB Hex Nipple	TOG1075
3/4" Male - 1" Male GB Hex Nipple	TOG407760
1" Male - 1" Male GB Hex Nipple	TOG1069



Female GB Socket

DESCRIPTION	PART NUMBER
1/2" Female - 1/2" Female GB Socket	TOG1074
1" Female - 1" Female GB Socket	TOG1070
1 1/4" Female - 1 1/4" Female GB Socket	TOG1080
3" Female - 3" Female GB Socket	TOG1082



Female / Female 90° GB Fitting

DESCRIPTION	PART NUMBER
1/2" Female - 1/2" Female 90° GB Fitting	TOG1073
3/4" Female - 3/4" Female 90° GB Fitting	TOG9034



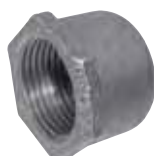
Male / Female 90° GB Fitting

DESCRIPTION	PART NUMBER
1" Male - 1" Female 90° GB Fitting	TOG1069A



Female Tee GB Fitting

DESCRIPTION	PART NUMBER
1/2" - 1/2" - 1/2" Female Tee GB Fitting	TOG1077
3/4" - 1/2" - 1/2" Female Tee GB Fitting	TOG1076



GB Blanking Cap

DESCRIPTION	PART NUMBER
1" BSP Blanking Cap	TOG1071
3" BSP Blanking Cap	TOG1072



Gate Type Shut Off Valve

PORT SIZE	PART NUMBER
3/8" BSP	SOV38
1/2" BSP	SOV12
3/4" BSP	SOV34
1" BSP	SOV1
1 1/4" BSP	SOV114
1 1/2" BSP	SOV112
2" BSP	SOV2

Lockable Gate Type Shut Off Valve

PORT SIZE	PART NUMBER
1" BSP	SOV1LGV



Lever Type Shut Off Valve

Temperature Continual from -20°C to +120°C

PORT SIZE	FEMALE / FEMALE	MALE / FEMALE
1/4" BSP	LTVFF14	LTVMF14
3/8" BSP	LTVFF38	LTVMF38
1/2" BSP	LTVFF12	LTVMF12
3/4" BSP	LTVFF34	LTVMF34
1" BSP	LTVFF1	LTVMF1
1 1/4" BSP	LTVFF114	LTVMF114
1 1/2" BSP	LTVFF112	LTVMF112
2" BSP	LTVFF2	LTVMF2



Brass Shut-off Ball Valve

THREAD	MAX PRESSURE	HOLE	PART NUMBER
3/8" BSP Female	210 bar	Ø 8mm	N203
1/2" BSP Female	210 bar	Ø 12mm	N204



High Pressure Valve

THREAD	WORKING PRESSURE	NOMINAL BORE	PART NUMBER
1/8" BSP Female	630 bar	DN4	KHR18
1/4" BSP Female	630 bar	DN6	KHR14
3/8" BSP Female	500 bar	DN10	KHR38
1/2" BSP Female	500 bar	DN13	KHR12
3/4" BSP Female	315 bar	DN20	KHR34
1" BSP Female	315 bar	DN25	KHR1
1 1/4" BSP Female	315 bar	DN32	KHR114
1 1/2" BSP Female	315 bar	DN40	KHR112



Low Pressure Brass Check Valve Threaded

THREAD	MAX PRESSURE	PART NUMBER
1/2" BSP Female	16 bar	200002PW
3/4" BSP Female	16 bar	200003PW
1" BSP Female	16 bar	200004PW



High Pressure Brass Check Valves

THREAD	MAX PRESSURE	PART NUMBER
1/4" BSP Female	310bar - 4500psi	200009PW
3/8" BSP Female	310bar - 4500psi	200010PW
1/2" BSP Female	250bar - 3650psi	200011PW



Low Pressure Brass Foot Valve c/w Strainer

THREAD	MAX PRESSURE	PART NUMBER
1" BSP Female	16 bar	BFV1



Inline Filter - 1/2" & 3/4"

1/2" and 3/4" BSP threads, max. working pressure 14 bar, filtering capacity 80 -100 L/min, cartridge Ø 38 x 39 mm, fixing points on both sides, polypropylene body, EPDM gaskets

PORT SIZE	MESH	EFFECTIVE AREA		PART NUMBER
		cm ²	sq.in	
1/2" BSP	250	20	3.1	20N62220
3/4" BSP	250	20	3.1	20N62320

Replacement Element to suit

MESH	TYPE	COLOUR	PART NUMBER
250	Very Fine	Yellow	2113B200



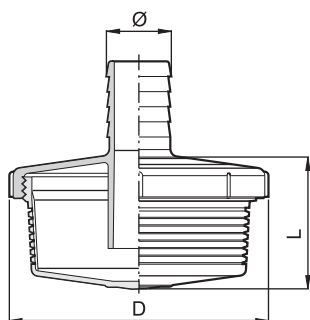
Brass "Y" Intake Strainer

THREAD BSP	MESH	PART NUMBER
1/2" Female	400 micron	YS12
3/4" Female	400 micron	YS34
1" Female	400 micron	YS1



Tank Suction Filter

TAIL TO SUIT HOSE ID	PART NUMBER
13 or 19mm Hose	230017PW



Foot Filters

Thanks to the wall built with double criss-crossing relief grating, obstructions can be removed quite easily. The trapezoidal shape and chamfered corners ensure complete suction in every position without damaging tank walls.

Ø	D	L	PART NUMBER
20mm	100mm	54mm	08302120
25mm	100mm	54mm	08302125
30mm	125mm	76mm	08302230
40mm	150mm	96mm	08302340



Intake Strainer with Hose Tail

TAIL TO SUIT HOSE ID	PART NUMBER
19mm (3/4")	FLT20
25mm (1")	FLT25



Pressure Gauges - Glycerine Filled

Working Temperature: -10 to 50°C

THREAD	WORKING PRESSURE	GAUGE SIZE	PART NUMBER
1/4" BSP	0 - 25 bar	63mm	02563
1/4" BSP	0 - 60 bar	63mm	06063
1/4" BSP	0 - 100 bar	63mm	010063
1/4" BSP	0 - 160 bar	63mm	016063
1/4" BSP	0 - 250 bar	63mm	025063
1/2" BSP	0 - 250 bar	100mm	0250100
1/4" BSP	0 - 400 bar	63mm	040063

For rear entry gauge simply add 'R' to the end of the part number e.g. 040063R



Drumtap

DESCRIPTION	PART NUMBER
3/4" Drumtap complete with backnut	TOG2093



Wash Down Guns

DESCRIPTION	PART NUMBER
Standard 3/4" BSP water gun trigger spray	WG1
Heavy Duty 1/2" BSP water gun trigger spray	WG2



PTO Washing Pump

Supplied with

- 3 metre Inlet hose
- 7 metre Outlet hose
- Washing Jet
- Suction filter
- Hose connectors and clip
- Securing chain with wrench

No Longer Available

MODEL	RPM	MAX. LPM	KG	PART NUMBER
St Extra	300 / 600	100	14.5	PF801
REPLACEMENT PARTS TO SUIT				PART NUMBER
Washing Jet to suit PF801				6498
Roller Vane to suit PF801				6516



*Suitable for
PTO Pressure Washers*

W2100 Series PTO Shaft (100100 Universal Joint)

LENGTH	ENDS		TUBING	GUARD	PART NUMBER
560	1 3/8" 6 Spline Yoke	1 3/8" 6 Spline Yoke	00a 0a	SD05	W100E560SD05



GRENE

Rain Wear with Reflective Bands

Sizes: Small, Medium, Large, X Large, XX Large

DESCRIPTION	PART NUMBER
Rain jacket with reflective bands	65036 (+SIZE)
Rain trousers with reflective bands	65536 (+SIZE)



Yellow High Visibility Vests

SIZE	CHEST SIZE	PART NUMBER
Large	116-120cm	HVW03L
X Large	120-124cm	HVW03XL
XX Large	124-128cm	HVW03XXL



'Dakota' Safety Boot (S3 / CE EN 345)



Upper: Soft grain leather

Lining: Padded Evertex

Insole: Removable, antibacterial and absorbent

Sole: Dual density PU, mould 21

Sizes: 38-48 (5-13)

DESCRIPTION	PART NUMBER
Dakota soft grain leather safety boot	21094 (+Size)



Flexconomy

Wide vision with soft PVC frame. Indirect ventilation provides impact and liquid protection.

Standards: EN166 1F - 3.4

Application: Protects against impacts from flying particles of low energy, liquid droplets, mist, spray and fine dust in accordance with cited standards.

DESCRIPTION	PART NUMBER
Flexconomy Safety glasses	WP805151



Latex Work Gloves

NU-Grip Work Gloves, Cotton with Laminated Black Latex Palm

DESCRIPTION	PART NUMBER
Medium size latex work glove	NG08
Large size latex work glove	NG09
XL size latex work glove	NG10



Full listings on all the Workwear and Footwear in our range are shown in our Workwear Catalogue.

Contact a member of our Sales Staff if you require a copy. You can download a pdf version at www.mchc.ie



P.T.F.E Tape

Sold per ROLL

DESCRIPTION	COLOUR	WIDTH	LENGTH	PART NUMBER
P.T.F.E Sealing tape	White	12mm	12 meters	FG1000



LOCTITE® Pipe Sealing Cord (55)

Loctite® 55™ is a general purpose, threaded pipe and fitting sealant which is wound from the dispensing package onto the threads of the pipe. It is supplied in containers, which serve for both storage and dispensing purposes. Recommended for sealing metal and plastic tapered pipe threads and fittings up to 4" NPT (National Pipe Thread) for use in industrial applications in aqueous and non-aqueous fluids. Temperature range: +130°C

DESCRIPTION	PART NUMBER
Pipe Sealing Cord (55) 150 metre Container	0105500
Pipe Sealing Cord (55) 24 x 50 metre Containers	483283



LOCTITE® Thread Sealant (572)

Loctite® 572™ is designed for the locking and sealing of metal pipe fittings. Recommended for all coarse metal threads where slow cure is required for adjusting of valves and fittings

DESCRIPTION	PART NUMBER
Thread Sealant 50ml	0105841



LOCTITE® Hand Cleaner with Pumice (7850)

- Citrus extracts give a pleasant, fresh smell
- Works with or without water
- Tested for skin compatibility

DESCRIPTION	PART NUMBER
Hand Cleaner 12 x 400ml Bottle	8002011
Hand Cleaner 1 x 3 litre Dispenser	8002012111
Hand Cleaner 4 x 3 litre Dispenser	8002012



GORILLA WIPES

Pre-impregnated cleaning wipes designed primarily for use by anyone who needs a fast and effective hand cleaning product. No further need for dirty wet towels, messy liquid cleaners or water. This is a true all round multi purpose cleaning solution for most types of stains and dirt. They clean general grime, oil & water based paints, instant grab adhesives, silicone & acrylic sealants, PU foam, oil, tar, grease, permanent marker, glues. They will remove most dirt and grime without effecting old paint

DESCRIPTION	PART NUMBER
80 of 20cm x 30cm Gorilla Wipes	GORILLA



WD40

With literally thousands of uses, WD-40 is the #1 multi-purpose problem solver. It cleans, protects, penetrates, lubricates and displaces moisture like no other product on earth.

DESCRIPTION	PART NUMBER
WD40 - 36 x 250ml Aerosol Can	WD250M36
WD40 - 24 x 450ml Aerosol Can	WD450M24
WD40 - 12 x 600ml Aerosol Can	44116
WD40 - 5 litre container complete with spray applicator	WD40-5



Full listings on all Loctite Products and Consumables in our range are shown in our Workshop Catalogue.

Contact a member of our Sales Staff if you require a copy. You can download a pdf version at www.mchc.ie