

# McHUGH

C O M P O N E N T S

[www.mchc.ie](http://www.mchc.ie)



## Fasteners

2006

## FASTENERS

<b>Threaded Bar</b>	Adjusting Rods & Nuts	2	Threaded Bar	3
<b>Bolts</b>	Bolts DIN931	4-7	Coach Bolts DIN603	15
	Set Screws DIN933	8-10	Bolt Head Screw DIN571	16
	Fine Thread Bolts DIN960	10-11	'U' Bolt	16
	Fine Thread Set Screw DIN961	11	Flanged Locking Bolts	17
	Allen Head Bolts	12-13	Wing Bolts DIN916	17
	Grub Screws DIN916	14	Eye Bolts DIN580	17
<b>Nuts</b>	Standard Nuts DIN934	18-19	Domed Cap Nuts	23
	Nylock Nuts DIN985	20-21	Wing Nuts	23
	Metric Lock Nut DIN980 / 936	21	Eye Nuts DIN582	23
	Connecting Nuts	22	Anti-Vibration Flange Nuts	23
	Castle Nuts	22		
<b>Screws</b>	Taptite Bolt DIN7500C	24	Countersunk Screws	27-28
	Screw Hexagon Head Screws	24	Cylindrical Head DIN7985	28
	Counter Sunk Screws	24	Dome Head Screws	28
	Round Head Screws	25	DIN84 Assortment Box	28
	Counter Sunk Screws	25	Chip Board Screws	29-30
	Self Tapping Metal Screws	26	Self Tapping Screws Assortment Box	30
	Posidrive BZP	26		
	Cylindrical Slotted Head	27	Wall Plugs	30
<b>Washers &amp; 'O' Rings</b>	Standard Washer DIN125A	31	Copper Washer Assortment	33
	Spring Washer DIN127A	31	Shims DIN988	34-35
	Large Flat Washers	32	Shims Assortment Box	35
	Heavy Type Washers	33	'O' Rings	36-39
	Shake Proof Washers	33	'O' Ring Rubber	39
	Nord-Lock Washers	33	'O' Ring Rubber Assortment	39
	Conical Spring Washer	33	'O' Rings Assortment Boxes	40
<b>Clips &amp; Pins</b>	Inner & Outer Circlips	41	Spiral Pin DIN7343	45
	Circlips Assortment Boxes	42	Expansion Bush DIN1498	45
	Safety Ring (E Clip)	43	Split Pin DIN94	46
	Starlock Circlips	43	Split Pin Assortment Boxes	46
	Half Moon Clips	43	Linch Pin	46
	'R' Clips	43	Pipe Linch Pin	46
	Roll Pins DIN1481	44	Assorted Clips & Pins Pack	47
	Roll Pins Assortment Box	45	Clevises & Clevis Pins	47
<b>Shafting Collars &amp; Keys</b>	Nylon & Steel Shafting	48	Gib Head Keys DIN6887	50
	Shaft Locking Collars	49	Key Assortment Boxes	50
	Key Steel DIN6880	49	Standard Keys	51
	Woodruff Keys DIN6888	49		

*Contents continued on the next page*

Continued . . .

FASTENERS										
<b>Chain, Cable &amp; Rope</b>	Steel Chain	52	Operating Cables Accessories Assortment	58						
	Plastic Chain	53		Turnbuckles	59					
	Chain Link Accessories	53-54			Nylon Rope	60				
	Shackles Bow & 'D'	55				Nylon Cord	60			
	Rings	55					Parcel String	60		
	Wire Rope	56						Sisal Rope	60	
	Wire Rope Accessories	56-57								
	Stop Cable	57-58								
<b>Clamps, Ties &amp; Tape</b>	Worm Screw Hose Clamps	61	Insulating Tape	63						
	Mini Clamps	61	Adhesive Tape	63						
	Heavy Duty Clamps	62	Masking Tape	64						
	Lead Clamps	62	Duck Tape	64						
	Cable Ties	63	P.T.F.E. Tape	64						
<b>Knobs, Handles &amp; Caps</b>	Knobs & Handles	65	Plastic Caps	66						
<b>Rivets</b>	Pop Rivets & Rivet Gun	67	Cutter Bar Rivets	68						
<b>Springs &amp; Dampers</b>	Compression Springs	69	Spring Assortment Boxes	69						
	Extension Springs	69	Vibration Dampers	70-71						
<b>Grease Nipples &amp; Hook</b>	Grease Nipples	72	Hook Joints	72						

**Trapeze Spindle c/w Nut**



SPINDLE DIAMETER	SPINDLE LENGTH	SPINDLE NUT PART NUMBER	SPINDLE C/W NUT PART NUMBER
mm	mm		
20	450	TS20201	TS20450
22	450	TS22221	TS22450
24	1070	TS24241	TS241070
24	350	TS24241	TS24350
24	450	TS24241	TS24450
24	500	TS24241	TS24500
30	1070	TS30301	TS301070
30	300	TS30301	TS30300
30	350	TS30301	TS30350
30	450	TS30301	TS30450
30	700	TS30301	TS30700
-	-	TS24242	-
-	-	TS30302	-



## METRIC Threaded Bar

Supplied in 1000mm lengths.

THREAD SIZE	4.6 STRENGTH ZINC PART NUMBER	4.6 STRENGTH BLACK PART NUMBER	8.8 STRENGTH ZINC PART NUMBER	8.8 STRENGTH BLACK PART NUMBER	10.9 STRENGTH ZINC PART NUMBER	STAINLESS STEEL PART NUMBER
M3	M3DIN97546Z	-	-	-	-	M3DIN975RVS
M4	M4DIN97546Z	M4DIN97546B	-	-	-	M4DIN975RVS
M5	M5DIN97546Z	M5DIN97546B	M5DIN97588Z	M5DIN97588B	-	M5DIN975RVS
M6	M6DIN97546Z	M6DIN97546B	M6DIN97588Z	M6DIN97588B	M6DIN975109Z	M6DIN975RVS
M7	M7DIN97546Z	-	-	-	-	-
M8	M8DIN97546Z	M8DIN97546B	M8DIN97588Z	M8DIN97588B	M8DIN975109Z	M8DIN975RVS
M10	M10DIN97546Z	M10DIN97546B	M10DIN97588Z	M10DIN97588B	M10DIN975109Z	M10DIN975RVS
M12	M12DIN97546Z	M12DIN97546B	M12DIN97588Z	M12DIN97588B	M12DIN975109Z	M12DIN975RVS
M14	M14DIN97546Z	M14DIN97546B	M14DIN97588Z	M14DIN97588B	-	M14DIN975RVS
M16	M16DIN97546Z	M16DIN97546B	M16DIN97588Z	M16DIN97588B	-	M16DIN975RVS
M18	M18DIN97546Z	M18DIN97546B	M18DIN97588Z	M18DIN97588B	-	M18DIN975RVS
M20	M20DIN97546Z	M20DIN97546B	M20DIN97588Z	M20DIN97588B	-	M20DIN975RVS
M22	M22DIN97546Z	M22DIN97546B	M22DIN97588Z	M22DIN97588B	-	-
M24	M24DIN97546Z	M24DIN97546B	M24DIN97588Z	M24DIN97588B	-	M24DIN975RVS
M27	M27DIN97546Z	M27DIN97546B	M27DIN97588Z	M27DIN97588B	-	-
M30	M30DIN97546Z	M30DIN97546B	M30DIN97588Z	M30DIN97588B	-	-
M33	M33DIN97546Z	M33DIN97546B	M33DIN97588Z	-	-	-
M36	M36DIN97546Z	M36DIN97546B	M36DIN97588Z	-	-	-

Note: Part numbers marked in **Red** are also available in 2 & 3 metre lengths.  
Part numbers marked in **Green** are also available in 3 metre lengths.

## IMPERIAL Threaded Bar

Supplied in 1000mm lengths.

THREAD SIZE	4.6 STRENGTH ZINC PART NUMBER	4.6 STRENGTH BLACK PART NUMBER	8.8 STRENGTH ZINC PART NUMBER	8.8 STRENGTH BLACK PART NUMBER
3/8" UNC	-	38UDIN97546B	-	-
5/16" UNC	-	516DIN97546B	-	-
1/2" UNC	12UDIN97546Z	-	-	-
1/2" WW	-	12WDIN97546B	-	-
5/8" WW	-	58WDIN97546B	-	-
3/4" UNC	34UDIN97546Z	34UDIN97546B	-	34UDIN97588B
3/4" WW	-	34WDIN97546B	-	-
7/8" WW	-	78WDIN97546B	-	-
1" UNC	1UDIN97546Z	-	1UDIN97588Z	1UDIN97588B
1" WW	-	1WDIN97546B	-	-
1 1/4" WW	-	114DIN97546B	-	-
1 1/2" WW	-	112DIN97546B	-	-

**METRIC Bolt 8.8 Strength - ZINC (DIN 931)**

Supplied in PACK quantities.



Also available in Stainless Steel Just replace DIN with RVS e.g. M440RVS931  
 Also available in 10.9 Strength Just replace DIN with 109 e.g. M440109931

SIZE mm	PACK QTY	PART NUMBER
M4 x 30	100	M430DIN931
M4 x 40	100	M440DIN931
M4 x 50	100	M450DIN931
M5 x 30	100	M530DIN931
M5 x 35	100	M535DIN931
M5 x 40	100	M540DIN931
M5 x 50	100	M550DIN931
M5 x 60	100	M560DIN931
M6 x 30	100	M630DIN931
M6 x 35	100	M635DIN931
M6 x 40	100	M640DIN931
M6 x 45	100	M645DIN931
M6 x 50	100	M650DIN931
M6 x 55	100	M655DIN931
M6 x 60	100	M660DIN931
M6 x 65	100	M665DIN931
M6 x 70	100	M670DIN931
M6 x 75	100	M675DIN931
M6 x 80	100	M680DIN931
M6 x 90	100	M690DIN931
M6 x 100	100	M6100DIN931
M6 x 110	100	M6110DIN931
M6 x 120	100	M6120DIN931
M6 x 170	-	M6170DIN931
M7 x 35	100	M735DIN931
M7 x 50	100	M750DIN931
M7 x 60	100	M760DIN931
M8 x 30	100	M830DIN931
M8 x 35	100	M835DIN931
M8 x 40	100	M840DIN931
M8 x 45	100	M845DIN931
M8 x 50	100	M850DIN931
M8 x 55	100	M855DIN931
M8 x 60	100	M860DIN931
M8 x 65	100	M865DIN931
M8 x 70	100	M870DIN931
M8 x 75	100	M875DIN931
M8 x 80	100	M880DIN931
M8 x 90	100	M890DIN931
M8 x 100	100	M8100DIN931
M8 x 110	100	M8110DIN931
M8 x 120	100	M8120DIN931
M8 x 130	100	M8130DIN931
M8 x 140	50	M8140DIN931
M8 x 150	50	M8150DIN931
M8 x 160	50	M8160DIN931
M10 x 35	100	M1035DIN931
M10 x 40	100	M1040DIN931
M10 x 45	100	M1045DIN931

SIZE mm	PACK QTY	PART NUMBER
M10 x 50	100	M1050DIN931
M10 x 55	100	M1055DIN931
M10 x 60	100	M1060DIN931
M10 x 65	100	M1065DIN931
M10 x 70	100	M1070DIN931
M10 x 75	100	M1075DIN931
M10 x 80	100	M1080DIN931
M10 x 85	100	M1085DIN931
M10 x 90	100	M1090DIN931
M10 x 100	100	M10100DIN931
M10 x 110	50	M10110DIN931
M10 x 120	50	M10120DIN931
M10 x 130	50	M10130DIN931
M10 x 140	50	M10140DIN931
M10 x 150	50	M10150DIN931
M10 x 160	50	M10160DIN931
M10 x 170	50	M10170DIN931
M10 x 180	25	M10180DIN931
M10 x 190	25	M10190DIN931
M10 x 200	25	M10200DIN931
M12 x 40	100	M1240DIN931
M12 x 45	100	M1245DIN931
M12 x 50	100	M1250DIN931
M12 x 55	100	M1255DIN931
M12 x 60	100	M1260DIN931
M12 x 65	50	M1265DIN931
M12 x 70	50	M1270DIN931
M12 x 75	50	M1275DIN931
M12 x 80	50	M1280DIN931
M12 x 90	50	M1290DIN931
M12 x 100	50	M12100DIN931
M12 x 110	50	M12110DIN931
M12 x 120	50	M12120DIN931
M12 x 130	50	M12130DIN931
M12 x 140	50	M12140DIN931
M12 x 150	25	M12150DIN931
M12 x 160	25	M12160DIN931
M12 x 170	25	M12170DIN931
M12 x 180	25	M12180DIN931
M12 x 190	25	M12190DIN931
M12 x 200	25	M12200DIN931
M12 x 220	25	M12220DIN931
M12 x 240	25	M12240DIN931
M12 x 260	25	M12260DIN931
M14 x 45	50	M1445DIN931
M14 x 50	50	M1450DIN931
M14 x 55	50	M1455DIN931
M14 x 60	50	M1460DIN931
M14 x 65	50	M1465DIN931

SIZE mm	PACK QTY	PART NUMBER
M14 x 70	50	M1470DIN931
M14 x 75	50	M1475DIN931
M14 x 80	50	M1480DIN931
M14 x 90	50	M1490DIN931
M14 x 100	50	M14100DIN931
M14 x 110	25	M14110DIN931
M14 x 120	25	M14120DIN931
M14 x 130	25	M14130DIN931
M14 x 140	25	M14140DIN931
M14 x 150	25	M14150DIN931
M14 x 160	25	M14160DIN931
M14 x 180	25	M14180DIN931
M14 x 200	25	M14200DIN931
M14 x 220	25	M14220DIN931
M14 x 240	25	M14240DIN931
M16 x 50	25	M1650DIN931
M16 x 55	25	M1655DIN931
M16 x 60	25	M1660DIN931
M16 x 65	25	M1665DIN931
M16 x 70	25	M1670DIN931
M16 x 75	25	M1675DIN931
M16 x 80	25	M1680DIN931
M16 x 85	25	M1685DIN931
M16 x 90	25	M1690DIN931
M16 x 100	25	M16100DIN931
M16 x 110	25	M16110DIN931
M16 x 120	25	M16120DIN931
M16 x 130	10	M16130DIN931
M16 x 140	10	M16140DIN931
M16 x 150	10	M16150DIN931
M16 x 160	10	M16160DIN931
M16 x 170	10	M16170DIN931
M16 x 180	10	M16180DIN931
M16 x 190	10	M16190DIN931
M16 x 200	10	M16200DIN931
M16 x 220	10	M16220DIN931
M16 x 240	10	M16240DIN931
M16 x 260	10	M16260DIN931
M16 x 280	10	M16280DIN931
M16 x 300	10	M16300DIN931
M18 x 60	25	M1860DIN931
M18 x 70	25	M1870DIN931
M18 x 80	25	M1880DIN931
M18 x 90	25	M1890DIN931
M18 x 100	25	M18100DIN931
M18 x 110	10	M18110DIN931
M18 x 120	10	M18120DIN931
M18 x 130	10	M18130DIN931
M18 x 140	10	M18140DIN931

Continued on the next page . . .

Continued . . .

**METRIC Bolt 8.8 Strength - ZINC (DIN 931)**

Supplied in PACK quantities.

SIZE mm	PACK QTY	PART NUMBER
M18 x 150	10	M18150DIN931
M18 x 160	10	M18160DIN931
M18 x 170	10	M18170DIN931
M18 x 180	10	M18180DIN931
M18 x 200	10	M18200DIN931
M18 x 220	10	M18220DIN931
M18 x 240	10	M18240DIN931
M18 x 260	10	M18260DIN931
M18 x 280	10	M18280DIN931
M20 x 60	25	M2060DIN931
M20 x 65	25	M2065DIN931
M20 x 70	25	M2070DIN931
M20 x 75	25	M2075DIN931
M20 x 80	25	M2080DIN931
M20 x 90	25	M2090DIN931
M20 x 100	25	M20100DIN931
M20 x 110	25	M20110DIN931
M20 x 120	25	M20120DIN931
M20 x 130	10	M20130DIN931
M20 x 140	10	M20140DIN931
M20 x 150	10	M20150DIN931
M20 x 160	10	M20160DIN931
M20 x 170	10	M20170DIN931

SIZE mm	PACK QTY	PART NUMBER
M20 x 180	10	M20180DIN931
M20 x 200	10	M20200DIN931
M20 x 220	10	M20220DIN931
M20 x 240	10	M20240DIN931
M20 x 260	10	M20260DIN931
M20 x 280	10	M20280DIN931
M20 x 300	10	M20300DIN931
M22 x 70	10	M2270DIN931
M22 x 80	10	M2280DIN931
M22 x 90	10	M2290DIN931
M22 x 100	10	M22100DIN931
M22 x 110	10	M22110DIN931
M22 x 120	10	M22120DIN931
M22 x 130	10	M22130DIN931
M22 x 140	10	M22140DIN931
M22 x 160	10	M22160DIN931
M22 x 180	10	M22180DIN931
M24 x 70	10	M2470DIN931
M24 x 80	10	M2480DIN931
M24 x 90	10	M2490DIN931
M24 x 100	10	M24100DIN931
M24 x 110	10	M24110DIN931
M24 x 120	10	M24120DIN931

SIZE mm	PACK QTY	PART NUMBER
M24 x 130	10	M24130DIN931
M24 x 140	10	M24140DIN931
M24 x 150	10	M24150DIN931
M24 x 160	10	M24160DIN931
M24 x 180	10	M24180DIN931
M24 x 200	10	M24200DIN931
M24 x 220	10	M24220DIN931
M24 x 240	10	M24240DIN931
M24 x 260	10	M24260DIN931
M27 x 100	10	M27100DIN931
M27 x 140	10	M27140DIN931
M27 x 160	10	M27160DIN931
M27 x 200	5	M27200DIN931
M27 x 240	5	M27240DIN931
M27 x 260	5	M27260DIN931
M30 x 90	5	M3090DIN931
M30 x 100	5	M30100DIN931
M30 x 120	5	M30120DIN931
M30 x 140	5	M30140DIN931
M30 x 160	5	M30160DIN931
M30 x 200	5	M30200DIN931

**METRIC Bolt 8.8 Strength - BLACK (DIN 931)**

Supplied in PACK quantities.

Also available in 10.9 Strength Just replace DIN with 109  
e.g. M840109931B



SIZE mm	PACK QTY	PART NUMBER
M8 x 40	25	M840DIN931B
M8 x 50	25	M850DIN931B
M8 x 60	25	M860DIN931B
M8 x 70	25	M870DIN931B
M8 x 100	25	M8100DIN931B
M10 x 40	25	M1040DIN931B

SIZE mm	PACK QTY	PART NUMBER
M10 x 50	25	M1050DIN931B
M10 x 60	25	M1060DIN931B
M10 x 70	25	M1070DIN931B
M10 x 80	25	M1080DIN931B
M10 x 90	25	M1090DIN931B

**METRIC Bolt 12.9 Strength - ZINC (DIN 931)**

Supplied in PACK quantities.



SIZE mm	PACK QTY	PART NUMBER
M10 x 60	25	M1060129931
M12 x 85	25	M1285129931
M16 x 70	25	M1670129931
M16 x 80	-	M1680129931

**IMPERIAL Coarse Thread UNC Bolt 8.8 Strength - ZINC (DIN 931)**

Supplied in PACK quantities.



SIZE Inch	THREAD TYPE	PACK QTY	PART NUMBER
1/4" x 1 1/4"	UNC	50	14114UNC931
1/4" x 1 1/2"	UNC	50	14112UNC931
1/4" x 1 3/4"	UNC	50	14134UNC931
1/4" x 2"	UNC	50	142UNC931
1/4" x 2 1/2"	UNC	50	14212UNC931
1/4" x 3"	UNC	50	143UNC931
5/16" x 1 1/4"	UNC	50	516114UNC931
5/16" x 1 1/2"	UNC	50	516112UNC931
5/16" x 1 3/4"	UNC	50	516134UNC931
5/16" x 2"	UNC	50	5162UNC931
5/16" x 2 1/4"	UNC	50	516214UNC931
5/16" x 2 1/2"	UNC	50	516212UNC931
5/16" x 3 1/4"	UNC	50	516314UNC931
5/16" x 3 1/2"	UNC	50	516312UNC931
5/16" x 4"	UNC	50	5164UNC931
3/8" x 1 1/2"	UNC	50	38112UNC931
3/8" x 1 3/4"	UNC	50	38134UNC931
3/8" x 2"	UNC	50	382UNC931
3/8" x 2 1/4"	UNC	50	38214UNC931
3/8" x 2 1/2"	UNC	50	38212UNC931
3/8" x 2 3/4"	UNC	50	38234UNC931
3/8" x 3"	UNC	50	383UNC931
3/8" x 3 1/2"	UNC	50	38312UNC931
3/8" x 4"	UNC	50	384UNC931
3/8" x 4 1/2"	UNC	50	38412UNC931
3/8" x 5"	UNC	50	385UNC931
7/16" x 1 1/2"	UNC	50	716112UNC931
7/16" x 1 3/4"	UNC	50	716134UNC931
7/16" x 2"	UNC	50	7162UNC931
7/16" x 2 1/4"	UNC	50	716214UNC931
7/16" x 2 1/2"	UNC	50	716212UNC931
7/16" x 2 3/4"	UNC	50	716234UNC931
7/16" x 3"	UNC	50	7163UNC931
7/16" x 3 1/2"	UNC	50	716312UNC931
1/2" x 1 3/4"	UNC	50	12134UNC931
1/2" x 2"	UNC	50	122UNC931
1/2" x 2 1/4"	UNC	50	12214UNC931
1/2" x 2 1/2"	UNC	50	12212UNC931
1/2" x 2 3/4"	UNC	50	12234UNC931
1/2" x 3"	UNC	50	123UNC931
1/2" x 3 1/4"	UNC	50	12314UNC931
1/2" x 3 1/2"	UNC	50	12312UNC931

SIZE Inch	THREAD TYPE	PACK QTY	PART NUMBER
1/2" x 4"	UNC	50	124UNC931
1/2" x 4 1/2"	UNC	50	12412UNC931
1/2" x 5"	UNC	50	125UNC931
1/2" x 6"	UNC	50	126UNC931
9/16" x 2"	UNC	25	9162UNC931
9/16" x 2 1/2"	UNC	25	916212UNC931
9/16" x 3"	UNC	25	9163UNC931
5/8" x 2"	UNC	25	582UNC931
5/8" x 2 1/4"	UNC	25	58214UNC931
5/8" x 2 1/2"	UNC	25	58212UNC931
5/8" x 2 3/4"	UNC	25	58234UNC931
5/8" x 3"	UNC	25	583UNC931
5/8" x 3 1/4"	UNC	25	58314UNC931
5/8" x 3 1/2"	UNC	25	58312UNC931
5/8" x 3 3/4"	UNC	10	58334UNC931
5/8" x 4"	UNC	10	584UNC931
5/8" x 4 1/2"	UNC	10	58412UNC931
5/8" x 5"	UNC	10	585UNC931
5/8" x 6"	UNC	10	586UNC931
5/8" x 7"	UNC	10	587UNC931
5/8" x 8"	UNC	10	588UNC931
3/4" x 2 1/4"	UNC	10	34214UNC931
3/4" x 2 1/2"	UNC	10	34212UNC931
3/4" x 2 3/4"	UNC	10	34234UNC931
3/4" x 3"	UNC	10	343UNC931
3/4" x 3 1/4"	UNC	10	34314UNC931
3/4" x 3 1/2"	UNC	10	34312UNC931
3/4" x 4"	UNC	10	344UNC931
3/4" x 4 1/2"	UNC	10	34412UNC931
3/4" x 5"	UNC	10	345UNC931
3/4" x 6"	UNC	10	346UNC931
3/4" x 7"	UNC	10	347UNC931
3/4" x 8"	UNC	10	348UNC931
7/8" x 3"	UNC	10	783UNC931
7/8" x 3 1/2"	UNC	10	78312UNC931
7/8" x 4"	UNC	10	784UNC931
7/8" x 5"	UNC	10	785UNC931
1" x 3"	UNC	10	13UNC931
1" x 3 1/2"	UNC	10	1312UNC931
1" x 4"	UNC	10	14UNC931
1" x 6"	UNC	10	16UNC931
1 1/4" x 8"	UNC	10	1148UNC931

**IMPERIAL Fine Thread Bolt 8.8 Strength - ZINC (DIN 931)**

Supplied in PACK quantities.



SIZE Inch	THREAD TYPE	PACK QTY	PART NUMBER
1/4" x 1 1/4"	UNF	25	14114UNF931
1/4" x 1 1/2"	UNF	25	14112UNF931
1/4" x 1 3/4"	UNF	25	14134UNF931
1/4" x 2"	UNF	25	142UNF931
1/4" x 2 1/4"	UNF	25	14214UNF931
1/4" x 2 1/2"	UNF	25	14212UNF931
1/4" x 3"	UNF	25	143UNF931
1/4" x 4"	UNF	25	144UNF931
5/16" x 1 1/4"	UNF	25	516114UNF931
5/16" x 1 1/2"	UNF	25	516112UNF931
5/16" x 1 3/4"	UNF	25	516134UNF931
5/16" x 2"	UNF	25	5162UNF931
5/16" x 2 1/4"	UNF	25	516214UNF931
5/16" x 2 1/2"	UNF	25	516212UNF931
5/16" x 2 3/4"	UNF	25	516234UNF931
5/16" x 3"	UNF	25	5163UNF931
5/16" x 4"	UNF	25	5164UNF931
3/8" x 1 1/2"	UNF	25	38112UNF931
3/8" x 1 3/4"	UNF	25	38134UNF931
3/8" x 2"	UNF	25	382UNF931
3/8" x 2 1/4"	UNF	25	38214UNF931
3/8" x 2 1/2"	UNF	25	38212UNF931
3/8" x 3"	UNF	25	383UNF931
3/8" x 3 1/2"	UNF	25	38312UNF931
3/8" x 4"	UNF	25	384UNF931
7/16" x 1 1/4"	UNF	25	716114UNF931
7/16" x 1 1/2"	UNF	25	716112UNF931
7/16" x 2"	UNF	25	7162UNF931
7/16" x 2 1/4"	UNF	25	716214UNF931
7/16" x 2 1/2"	UNF	25	716212UNF931
7/16" x 2 3/4"	UNF	25	716234UNF931
7/16" x 3"	UNF	25	7163UNF931
7/16" x 3 1/2"	UNF	25	716312UNF931
7/16" x 4"	UNF	25	7164UNF931
7/16" x 5"	UNF	25	7165UNF931
1/2" x 1 1/2"	UNF	25	12112UNF931
1/2" x 1 3/4"	UNF	25	12134UNF931
1/2" x 2"	UNF	25	122UNF931
1/2" x 2 1/4"	UNF	25	12214UNF931
1/2" x 2 1/2"	UNF	25	12212UNF931
1/2" x 2 3/4"	UNF	25	12234UNF931

SIZE Inch	THREAD TYPE	PACK QTY	PART NUMBER
1/2" x 3"	UNF	25	123UNF931
1/2" x 3 1/4"	UNF	25	12314UNF931
1/2" x 3 1/2"	UNF	25	12312UNF931
1/2" x 4"	UNF	25	124UNF931
1/2" x 4 1/2"	UNF	25	12412UNF931
1/2" x 5"	UNF	25	125UNF931
1/2" x 6"	UNF	25	126UNF931
9/16" x 2"	UNF	25	9162UNF931
9/16" x 2 1/2"	UNF	25	916212UNF931
9/16" x 3"	UNF	25	9163UNF931
9/16" x 4"	UNF	25	9164UNF931
5/8" x 2"	UNF	25	582UNF931
5/8" x 2 1/4"	UNF	25	58214UNF931
5/8" x 2 1/2"	UNF	25	58212UNF931
5/8" x 2 3/4"	UNF	25	58234UNF931
5/8" x 3"	UNF	25	583UNF931
5/8" x 3 1/4"	UNF	25	58314UNF931
5/8" x 3 1/2"	UNF	25	58312UNF931
5/8" x 4"	UNF	10	584UNF931
5/8" x 4 1/2"	UNF	10	58412UNF931
5/8" x 5"	UNF	10	585UNF931
5/8" x 5 1/2"	UNF	10	58512UNF931
5/8" x 6"	UNF	10	586UNF931
5/8" x 7"	UNF	10	587UNF931
5/8" x 8"	UNF	10	588UNF931
3/4" x 2 1/4"	UNF	10	34214UNF931
3/4" x 2 1/2"	UNF	10	34212UNF931
3/4" x 2 3/4"	UNF	10	34234UNF931
3/4" x 3"	UNF	10	343UNF931
3/4" x 3 1/4"	UNF	10	34314UNF931
3/4" x 3 1/2"	UNF	10	34312UNF931
3/4" x 3 3/4"	UNF	10	34334UNF931
3/4" x 4"	UNF	10	344UNF931
3/4" x 4 1/2"	UNF	10	34412UNF931
3/4" x 5"	UNF	10	345UNF931
3/4" x 5 1/2"	UNF	10	34512UNF931
3/4" x 6"	UNF	10	346UNF931
1" x 3"	UNF	10	13UNF931
1" x 4"	UNF	10	14UNF931
1" x 5"	UNF	10	15UNF931

**METRIC Set Screw 8.8 Strength - ZINC (DIN 933)**

Supplied in PACK quantities.

Also available in Stainless Steel Just replace DIN with RVS e.g. **M860RVS933**Also available in 10.9 Strength Just replace DIN with 109 e.g. **M860109933**

SIZE mm	PACK QTY	PART NUMBER
M3 x 6	100	<b>M36DIN933</b>
M3 x 10	100	<b>M310DIN933</b>
M4 x 8	100	<b>M48DIN933</b>
M4 x 10	100	<b>M410DIN933</b>
M4 x 16	100	<b>M416DIN933</b>
M4 x 20	100	<b>M420DIN933</b>
M4 x 25	100	<b>M425DIN933</b>
M4 x 30	100	<b>M430DIN933</b>
M4 x 35	100	<b>M435DIN933</b>
M4 x 40	100	<b>M440DIN933</b>
M5 x 10	100	<b>M510DIN933</b>
M5 x 12	100	<b>M512DIN933</b>
M5 x 16	100	<b>M516DIN933</b>
M5 x 20	100	<b>M520DIN933</b>
M5 x 25	100	<b>M525DIN933</b>
M5 x 30	100	<b>M530DIN933</b>
M5 x 35	100	<b>M535DIN933</b>
M5 x 40	100	<b>M540DIN933</b>
M5 x 50	100	<b>M550DIN933</b>
M6 x 10	100	<b>M610DIN933</b>
M6 x 12	100	<b>M612DIN933</b>
M6 x 16	100	<b>M616DIN933</b>
M6 x 18	100	<b>M618DIN933</b>
M6 x 20	100	<b>M620DIN933</b>
M6 x 25	100	<b>M625DIN933</b>
M6 x 30	100	<b>M630DIN933</b>
M6 x 35	100	<b>M635DIN933</b>
M6 x 40	100	<b>M640DIN933</b>
M6 x 45	100	<b>M645DIN933</b>
M6 x 50	100	<b>M650DIN933</b>
M6 x 55	100	<b>M655DIN933</b>
M6 x 60	100	<b>M660DIN933</b>
M6 x 70	100	<b>M670DIN933</b>
M6 x 80	100	<b>M680DIN933</b>
M7 x 20	100	<b>M720DIN933</b>
M7 x 30	100	<b>M730DIN933</b>
M8 x 10	100	<b>M810DIN933</b>
M8 x 12	100	<b>M812DIN933</b>
M8 x 16	100	<b>M816DIN933</b>
M8 x 18	100	<b>M818DIN933</b>
M8 x 20	100	<b>M820DIN933</b>
M8 x 25	100	<b>M825DIN933</b>
M8 x 30	100	<b>M830DIN933</b>
M8 x 35	100	<b>M835DIN933</b>
M8 x 40	100	<b>M840DIN933</b>
M8 x 45	100	<b>M845DIN933</b>
M8 x 50	100	<b>M850DIN933</b>
M8 x 55	100	<b>M855DIN933</b>

SIZE mm	PACK QTY	PART NUMBER
M8 x 60	100	<b>M860DIN933</b>
M8 x 70	100	<b>M870DIN933</b>
M8 x 80	100	<b>M880DIN933</b>
M8 x 90	100	<b>M890DIN933</b>
M8 x 100	100	<b>M8100DIN933</b>
M8 x 120	100	<b>M8120DIN933</b>
M10 x 12	100	<b>M1012DIN933</b>
M10 x 16	100	<b>M1016DIN933</b>
M10 x 20	100	<b>M1020DIN933</b>
M10 x 25	100	<b>M1025DIN933</b>
M10 x 30	100	<b>M1030DIN933</b>
M10 x 35	100	<b>M1035DIN933</b>
M10 x 40	100	<b>M1040DIN933</b>
M10 x 45	100	<b>M1045DIN933</b>
M10 x 50	100	<b>M1050DIN933</b>
M10 x 55	100	<b>M1055DIN933</b>
M10 x 60	100	<b>M1060DIN933</b>
M10 x 70	100	<b>M1070DIN933</b>
M10 x 80	100	<b>M1080DIN933</b>
M10 x 90	100	<b>M1090DIN933</b>
M10 x 100	100	<b>M10100DIN933</b>
M12 x 16	100	<b>M1216DIN933</b>
M12 x 20	100	<b>M1220DIN933</b>
M12 x 25	100	<b>M1225DIN933</b>
M12 x 30	100	<b>M1230DIN933</b>
M12 x 35	100	<b>M1235DIN933</b>
M12 x 40	100	<b>M1240DIN933</b>
M12 x 45	100	<b>M1245DIN933</b>
M12 x 50	100	<b>M1250DIN933</b>
M12 x 55	50	<b>M1255DIN933</b>
M12 x 60	50	<b>M1260DIN933</b>
M12 x 65	50	<b>M1265DIN933</b>
M12 x 70	50	<b>M1270DIN933</b>
M12 x 80	50	<b>M1280DIN933</b>
M12 x 90	50	<b>M1290DIN933</b>
M12 x 100	50	<b>M12100DIN933</b>
M12 x 140	50	<b>M12140DIN933</b>
M14 x 20	50	<b>M1420DIN933</b>
M14 x 25	50	<b>M1425DIN933</b>
M14 x 30	50	<b>M1430DIN933</b>
M14 x 35	50	<b>M1435DIN933</b>
M14 x 40	50	<b>M1440DIN933</b>
M14 x 45	50	<b>M1445DIN933</b>
M14 x 50	50	<b>M1450DIN933</b>
M14 x 55	50	<b>M1455DIN933</b>
M14 x 60	50	<b>M1460DIN933</b>
M14 x 80	50	<b>M1480DIN933</b>
M14 x 100	50	<b>M14100DIN933</b>

SIZE mm	PACK QTY	PART NUMBER
M16 x 20	50	<b>M1620DIN933</b>
M16 x 25	50	<b>M1625DIN933</b>
M16 x 30	50	<b>M1630DIN933</b>
M16 x 35	50	<b>M1635DIN933</b>
M16 x 40	50	<b>M1640DIN933</b>
M16 x 45	50	<b>M1645DIN933</b>
M16 x 50	50	<b>M1650DIN933</b>
M16 x 55	50	<b>M1655DIN933</b>
M16 x 60	50	<b>M1660DIN933</b>
M16 x 65	25	<b>M1665DIN933</b>
M16 x 70	25	<b>M1670DIN933</b>
M16 x 80	25	<b>M1680DIN933</b>
M16 x 90	25	<b>M1690DIN933</b>
M16 x 100	25	<b>M16100DIN933</b>
M16 x 120	25	<b>M16120DIN933</b>
M16 x 140	-	<b>M16140DIN933</b>
M16 x 150	-	<b>M16150DIN933</b>
M18 x 30	25	<b>M1830DIN933</b>
M18 x 35	25	<b>M1835DIN933</b>
M18 x 40	25	<b>M1840DIN933</b>
M18 x 45	25	<b>M1845DIN933</b>
M18 x 50	25	<b>M1850DIN933</b>
M18 x 55	25	<b>M1855DIN933</b>
M18 x 60	25	<b>M1860DIN933</b>
M18 x 80	25	<b>M1880DIN933</b>
M20 x 30	25	<b>M2030DIN933</b>
M20 x 35	25	<b>M2035DIN933</b>
M20 x 40	25	<b>M2040DIN933</b>
M20 x 45	25	<b>M2045DIN933</b>
M20 x 50	25	<b>M2050DIN933</b>
M20 x 55	25	<b>M2055DIN933</b>
M20 x 60	25	<b>M2060DIN933</b>
M20 x 70	25	<b>M2070DIN933</b>
M20 x 80	25	<b>M2080DIN933</b>
M20 x 90	25	<b>M2090DIN933</b>
M20 x 100	25	<b>M20100DIN933</b>
M22 x 50	10	<b>M2250DIN933</b>
M22 x 60	10	<b>M2260DIN933</b>
M22 x 70	10	<b>M2270DIN933</b>
M24 x 40	10	<b>M2440DIN933</b>
M24 x 50	10	<b>M2450DIN933</b>
M24 x 60	10	<b>M2460DIN933</b>
M24 x 65	10	<b>M2465DIN933</b>
M24 x 70	10	<b>M2470DIN933</b>
M24 x 80	10	<b>M2480DIN933</b>
M24 x 100	10	<b>M24100DIN933</b>
M30 x 60	5	<b>M3060DIN933</b>
M30 x 80	5	<b>M3080DIN933</b>

**METRIC Set Screw 8.8 Strength - BLACK (DIN 933)**

Supplied in PACK quantities.

Also available in 10.9 Strength Just replace DIN with 109 e.g. **M512109933B**

SIZE mm	PACK QTY	PART NUMBER
M4 x 8	Each	<b>M48DIN933B</b>
M4 x 12	Each	<b>M412DIN933B</b>
M4 x 16	Each	<b>M416DIN933B</b>
M4 x 25	Each	<b>M425DIN933B</b>
M5 x 12	100	<b>M512DIN933B</b>
M5 x 20	Each	<b>M520DIN933B</b>
M5 x 25	100	<b>M525DIN933B</b>
M5 x 40	Each	<b>M540DIN933B</b>
M6 x 10	Each	<b>M610DIN933B</b>
M6 x 12	100	<b>M612DIN933B</b>
M6 x 16	100	<b>M616DIN933B</b>
M6 x 20	100	<b>M620DIN933B</b>

SIZE mm	PACK QTY	PART NUMBER
M6 x 25	100	<b>M625DIN933B</b>
M6 x 40	Each	<b>M640DIN933B</b>
M6 x 45	Each	<b>M645DIN933B</b>
M6 x 50	Each	<b>M650DIN933B</b>
M6 x 60	Each	<b>M660DIN933B</b>
M6 x 70	Each	<b>M670DIN933B</b>
M6 x 80	Each	<b>M680DIN933B</b>
M6 x 100	Each	<b>M6100DIN933B</b>
M8 x 16	100	<b>M816DIN933B</b>
M8 x 20	Each	<b>M820DIN933B</b>
M8 x 25	100	<b>M825DIN933B</b>
M8 x 35	100	<b>M835DIN933B</b>

SIZE mm	PACK QTY	PART NUMBER
M8 x 40	100	<b>M840DIN933B</b>
M8 x 45	Each	<b>M845DIN933B</b>
M8 x 70	Each	<b>M870DIN933B</b>
M10 x 16	Each	<b>M1016DIN933B</b>
M10 x 60	Each	<b>M1060DIN933B</b>
M10 x 100	Each	<b>M10100DIN933B</b>
M12 x 16	100	<b>M1216DIN933B</b>
M12 x 50	Each	<b>M1250DIN933B</b>
M12 x 55	Each	<b>M1255DIN933B</b>
M12 x 60	Each	<b>M1260DIN933B</b>

**IMPERIAL Coarse Thread Set Screw 8.8 Strength - ZINC (DIN 933)**

Supplied in PACK quantities.



SIZE Inch	THREAD TYPE	PACK QTY	PART NUMBER
1/4" x 1/2"	UNC	50	<b>1412UNC933</b>
1/4" x 5/8"	UNC	50	<b>1458UNC933</b>
1/4" x 3/4"	UNC	50	<b>1434UNC933</b>
1/4" x 7/8"	UNC	50	<b>1478UNC933</b>
1/4" x 1"	UNC	50	<b>141UNC933</b>
5/16" x 1/2"	UNC	50	<b>51612UNC933</b>
5/16" x 5/8"	UNC	50	<b>51658UNC933</b>
5/16" x 3/4"	UNC	50	<b>51634UNC933</b>
5/16" x 7/8"	UNC	50	<b>51678UNC933</b>
5/16" x 1"	UNC	50	<b>5161UNC933</b>
3/8" x 1/2"	UNC	50	<b>3812UNC933</b>
3/8" x 5/8"	UNC	50	<b>3858UNC933</b>
3/8" x 3/4"	UNC	50	<b>3834UNC933</b>
3/8" x 7/8"	UNC	50	<b>3878UNC933</b>
3/8" x 1"	UNC	50	<b>381UNC933</b>
3/8" x 1 1/4"	UNC	50	<b>38114UNC933</b>
3/8" x 1 1/2"	UNC	50	<b>38112UNC933</b>
7/16" x 3/4"	UNC	50	<b>71634UNC933</b>
7/16" x 7/8"	UNC	25	<b>71678UNC933</b>
7/16" x 1"	UNC	50	<b>7161UNC933</b>
7/16" x 1 1/4"	UNC	50	<b>716114UNC933</b>

SIZE Inch	THREAD TYPE	PACK QTY	PART NUMBER
1/2" x 3/4"	UNC	50	<b>1234UNC933</b>
1/2" x 7/8"	UNC	50	<b>1278UNC933</b>
1/2" x 1"	UNC	50	<b>121UNC933</b>
1/2" x 1 1/4"	UNC	50	<b>12114UNC933</b>
1/2" x 1 1/2"	UNC	50	<b>12112UNC933</b>
9/16" x 1"	UNC	25	<b>9161UNC933</b>
9/16" x 1 1/4"	UNC	25	<b>916114UNC933</b>
9/16" x 1 1/2"	UNC	25	<b>916112UNC933</b>
9/16" x 1 3/4"	UNC	25	<b>916134UNC933</b>
5/8" x 1"	UNC	25	<b>581UNC933</b>
5/8" x 1 1/4"	UNC	25	<b>58114UNC933</b>
5/8" x 1 1/2"	UNC	25	<b>58112UNC933</b>
5/8" x 1 3/4"	UNC	25	<b>58134UNC933</b>
5/8" x 2"	UNC	-	<b>582UNC933</b>
3/4" x 1 1/2"	UNC	10	<b>34112UNC933</b>
3/4" x 1 3/4"	UNC	10	<b>34134UNC933</b>
3/4" x 2"	UNC	10	<b>342UNC933</b>
7/8" x 2"	UNC	10	<b>782UNC933</b>
7/8" x 2 1/2"	UNC	10	<b>78212UNC933</b>
1" x 2"	UNC	10	<b>12UNC933</b>
1" x 2 1/2"	UNC	10	<b>1212UNC933</b>

**IMPERIAL Fine Thread Set Screw 8.8 Strength - ZINC (DIN 933)**

Supplied in PACK quantities.



SIZE Inch	THREAD TYPE	PACK QTY	PART NUMBER
1/4" x 1/2"	UNF	50	1412UNF933
1/4" x 5/8"	UNF	50	1458UNF933
1/4" x 3/4"	UNF	50	1434UNF933
1/4" x 1"	UNF	50	141UNF933
5/16" x 1/2"	UNF	50	51612UNF933
5/16" x 5/8"	UNF	50	51658UNF933
5/16" x 3/4"	UNF	50	51634UNF933
5/16" x 1"	UNF	50	5161UNF933
3/8" x 1/2"	UNF	50	3812UNF933
3/8" x 5/8"	UNF	50	3858UNF933
3/8" x 3/4"	UNF	50	3834UNF933
3/8" x 7/8"	UNF	50	3878UNF933
3/8" x 1"	UNF	50	381UNF933
3/8" x 1 1/4"	UNF	50	38114UNF933

SIZE Inch	THREAD TYPE	PACK QTY	PART NUMBER
7/16" x 3/4"	UNF	50	71634UNF933
7/16" x 1"	UNF	50	7161UNF933
1/2" x 1"	UNF	50	121UNF933
1/2" x 1 1/4"	UNF	50	12114UNF933
1/2" x 1 1/2"	UNF	50	12112UNF933
9/16" x 1 1/4"	UNF	25	916114UNF933
9/16" x 1 1/2"	UNF	25	916112UNF933
5/8" x 1 1/4"	UNF	25	58114UNF933
5/8" x 1 1/2"	UNF	25	58112UNF933
5/8" x 1 3/4"	UNF	25	58134UNF933
3/4" x 1 1/2"	UNF	10	34112UNF933
3/4" x 1 3/4"	UNF	10	34134UNF933
3/4" x 2"	UNF	10	342UNF933
7/8" x 2"	UNF	10	782UNF933

**METRIC Fine Thread Bolt 8.8 Strength - ZINC (DIN 960)**

Supplied in PACK quantities.



Also available in 10.9 Strength Just replace DIN with 109 e.g. M850109960

SIZE mm	PACK QTY	PART NUMBER
M8 x 1 x 50	25	M850DIN960
M10 x 1 x 40	25	M1040DIN960
M10 x 1 x 50	25	M1050DIN960
M10 x 1 x 60	25	M1060DIN960
M10 x 1.25 x 50	25	M1012550960
M12 x 1.25 x 50	25	M1212550960
M12 x 1.25 x 60	25	M1212560960
M12 x 1.25 x 80	25	M1212580960
M12 x 1.5 x 50	25	M1250DIN960
M12 x 1.5 x 60	25	M1260DIN960
M12 x 1.5 x 70	25	M1270DIN960
M12 x 1.5 x 80	25	M1280DIN960
M12 x 1.5 x 100	10	M12100DIN960
M12 x 1.5 x 120	10	M12120DIN960
M14 x 1.5 x 50	10	M1450DIN960
M14 x 1.5 x 60	10	M1460DIN960
M14 x 1.5 x 70	10	M1470DIN960
M14 x 1.5 x 80	10	M1480DIN960
M14 x 1.5 x 90	10	M1490DIN960
M14 x 1.5 x 140	10	M14140DIN960

SIZE mm	PACK QTY	PART NUMBER
M16 x 1.5 x 60	10	M1660DIN960
M16 x 1.5 x 70	10	M1670DIN960
M16 x 1.5 x 80	10	M1680DIN960
M16 x 1.5 x 90	10	M1690DIN960
M16 x 1.5 x 100	10	M16100DIN960
M16 x 1.5 x 110	10	M16110DIN960
M16 x 1.5 x 120	10	M16120DIN960
M16 x 1.5 x 130	10	M16130DIN960
M16 x 1.5 x 140	10	M16140DIN960
M18 x 1.5 x 60	10	M1860DIN960
M18 x 1.5 x 70	10	M1870DIN960
M18 x 1.5 x 80	10	M1880DIN960
M18 x 1.5 x 90	10	M1890DIN960
M18 x 1.5 x 100	10	M18100DIN960
M18 x 1.5 x 120	10	M18120DIN960
M20 x 1.5 x 70	10	M2070DIN960
M20 x 1.5 x 80	10	M2080DIN960
M20 x 1.5 x 90	10	M2090DIN960
M20 x 1.5 x 100	10	M20100DIN960
M20 x 1.5 x 120	10	M20120DIN960

**METRIC Fine Thread Bolt 10.9 Strength - BLACK (DIN 960)**

Supplied in PACK quantities.



SIZE mm	PACK QTY	PART NUMBER
M14 x 1.5 x 45	25	M1445DIN960B
M14 x 1.5 x 50	25	M1450DIN960B
M14 x 1.5 x 70	25	M1470DIN960B

**METRIC Fine Thread Set Screw 8.8 Strength - ZINC (DIN 961)**

Supplied in PACK quantities.



Also available in 10.9 Strength Just replace DIN with 109 e.g. M820109961

SIZE mm	PACK QTY	PART NUMBER
M8 x 1 x 20	25	M820DIN961
M8 x 1 x 30	25	M830DIN961
M8 x 1 x 40	25	M840DIN961
M10 x 1 x 30	25	M1030DIN961
M10 x 1.25 x 20	25	M1012520961
M10 x 1.25 x 30	25	M1012530961
M10 x 1.25 x 40	25	M1012540961
M12 x 1.25 x 30	25	M1212530961
M12 x 1.25 x 40	25	M1212540961
M12 x 1.25 x 50	25	M1212550961
M12 x 1.5 x 25	25	M1225DIN961
M12 x 1.5 x 30	25	M1230DIN961
M12 x 1.5 x 40	25	M1240DIN961
M12 x 1.5 x 45	25	M1245DIN961
M14 x 1.5 x 25	10	M1425DIN961
M14 x 1.5 x 30	10	M1430DIN961
M14 x 1.5 x 35	10	M1435DIN961

SIZE mm	PACK QTY	PART NUMBER
M14 x 1.5 x 40	10	M1440DIN961
M14 x 1.5 x 45	10	M1445DIN961
M14 x 1.5 x 50	10	M1450DIN961
M16 x 1.5 x 25	10	M1625DIN961
M16 x 1.5 x 30	10	M1630DIN961
M16 x 1.5 x 35	10	M1635DIN961
M16 x 1.5 x 40	10	M1640DIN961
M16 x 1.5 x 45	10	M1645DIN961
M16 x 1.5 x 50	10	M1650DIN961
M18 x 1.5 x 35	10	M1835DIN961
M18 x 1.5 x 40	10	M1840DIN961
M18 x 1.5 x 50	10	M1850DIN961
M20 x 1.5 x 40	10	M2040DIN961
M20 x 1.5 x 50	10	M2050DIN961
M20 x 1.5 x 60	10	M2060DIN961
M20 x 1.5 x 120	-	M20120DIN961

**METRIC Fine Thread Set Screw 10.9 Strength - BLACK (DIN 961)**

Supplied in PACK quantities.



SIZE mm	PACK QTY	PART NUMBER
M14 x 1.5 x 45	25	M141545961109B
M16 x 1.5 x 35	25	M161535961109B
M16 x 1.5 x 40	25	M161540961109B
M16 x 1.5 x 45	25	M161545961109B
M16 x 1.5 x 50	25	M161550961109B
M16 x 1.5 x 65	25	M161565961109B

**Allen Head Bolts 8.8 Strength - ZINC (DIN 912)**

Supplied in PACK quantities.



Also available in Stainless Steel Just replace DIN with RVS e.g. **M48RVS912**

Also available in 10.9 Strength Just add on 109 e.g. **M48DIN912109**

Also available in **BLACK** 12.9 Strength Just add on 129B e.g. **M48DIN912129B**

SIZE mm	PACK QTY	PART NUMBER
M3 x 10	-	M310DIN912
M3 x 16	-	M316DIN912
M3 x 20	-	M320DIN912
M3 x 25	-	M325DIN912
M4 x 8	25	M48DIN912
M4 x 10	25	M410DIN912
M4 x 12	25	M412DIN912
M4 x 16	25	M416DIN912
M4 x 20	25	M420DIN912
M4 x 25	25	M425DIN912
M4 x 35	25	M435DIN912
M4 x 40	25	M440DIN912
M4 x 50	25	M450DIN912
M5 x 8	25	M58DIN912
M5 x 10	25	M510DIN912
M5 x 12	25	M512DIN912
M5 x 16	25	M516DIN912
M5 x 20	25	M520DIN912
M5 x 25	25	M525DIN912
M5 x 30	25	M530DIN912
M5 x 35	25	M535DIN912
M5 x 40	25	M540DIN912
M5 x 45	25	M545DIN912
M5 x 50	25	M550DIN912
M5 x 60	25	M560DIN912
M5 x 65	25	M565DIN912
M5 x 70	25	M570DIN912
M5 x 90	25	M590DIN912
M6 x 10	25	M610DIN912
M6 x 12	25	M612DIN912
M6 x 16	25	M616DIN912
M6 x 20	25	M620DIN912
M6 x 25	25	M625DIN912
M6 x 30	25	M630DIN912
M6 x 35	25	M635DIN912
M6 x 40	25	M640DIN912
M6 x 45	25	M645DIN912
M6 x 50	25	M650DIN912

SIZE mm	PACK QTY	PART NUMBER
M6 x 55	25	M655DIN912
M6 x 60	25	M660DIN912
M6 x 70	25	M670DIN912
M6 x 80	25	M680DIN912
M6 x 90	25	M690DIN912
M6 x 100	25	M6100DIN912
M8 x 10	25	M810DIN912
M8 x 12	25	M812DIN912
M8 x 16	25	M816DIN912
M8 x 20	25	M820DIN912
M8 x 25	25	M825DIN912
M8 x 30	25	M830DIN912
M8 x 35	25	M835DIN912
M8 x 40	25	M840DIN912
M8 x 45	25	M845DIN912
M8 x 50	25	M850DIN912
M8 x 60	25	M860DIN912
M8 x 70	25	M870DIN912
M8 x 80	25	M880DIN912
M8 x 90	25	M890DIN912
M8 x 110	-	M8110DIN912
M8 x 120	25	M8120DIN912
M8 x 130	25	M8130DIN912
M8 x 140	-	M8140DIN912
M8 x 160	-	M8160DIN912
M8 x 180	-	M8180DIN912
M10 x 16	25	M1016DIN912
M10 x 20	25	M1020DIN912
M10 x 25	25	M1025DIN912
M10 x 30	25	M1030DIN912
M10 x 35	25	M1035DIN912
M10 x 40	25	M1040DIN912
M10 x 45	25	M1045DIN912
M10 x 50	25	M1050DIN912
M10 x 60	25	M1060DIN912
M10 x 65	25	M1065DIN912
M10 x 70	25	M1070DIN912
M10 x 80	25	M1080DIN912

SIZE mm	PACK QTY	PART NUMBER
M10 x 90	10	M1090DIN912
M10 x 100	10	M10100DIN912
M10 x 110	10	M10110DIN912
M10 x 120	10	M10120DIN912
M12 x 20	10	M1220DIN912
M12 x 25	10	M1225DIN912
M12 x 30	10	M1230DIN912
M12 x 35	10	M1235DIN912
M12 x 40	10	M1240DIN912
M12 x 45	10	M1245DIN912
M12 x 50	10	M1250DIN912
M12 x 60	10	M1260DIN912
M12 x 70	10	M1270DIN912
M12 x 80	10	M1280DIN912
M12 x 90	10	M1290DIN912
M12 x 100	10	M12100DIN912
M12 x 110	10	M12110DIN912
M12 x 120	10	M12120DIN912
M14 x 25	10	M1425DIN912
M14 x 40	10	M1440DIN912
M14 x 50	10	M1450DIN912
M14 x 80	10	M1480DIN912
M14 x 100	-	M14100DIN912
M16 x 30	10	M1630DIN912
M16 x 40	10	M1640DIN912
M16 x 45	10	M1645DIN912
M16 x 50	10	M1650DIN912
M16 x 60	10	M1660DIN912
M16 x 70	10	M1670DIN912
M16 x 80	10	M1680DIN912
M16 x 90	10	M1690DIN912
M16 x 100	10	M16100DIN912
M20 x 40	10	M2040DIN912
M20 x 50	10	M2050DIN912
M20 x 60	10	M2060DIN912
M20 x 70	10	M2070DIN912

**Allen Head Bolts 12.9 Strength - ZINC (DIN 912)**

Supplied in PACK quantities.



SIZE mm	PACK QTY	PART NUMBER
M6 x 35	25	M635DIN912129
M12 x 150	25	M12150DIN912129

**Allen Head Bolts 8.8 Strength - BLACK (DIN 912)**

Supplied in PACK quantities.



SIZE mm	PACK QTY	PART NUMBER
M6 x 20	25	M620DIN912B
M12 x 45	25	M1245DIN912B

**IMPERIAL Allen Head Bolts - ZINC (DIN 912)**

Supplied in PACK quantities.



SIZE Inch	THREAD TYPE	STRENGTH	PACK QTY	PART NUMBER
3/8" x 1 1/4"	UNC	12.9	Each	38114UNC912129
3/8" x 1 1/2"	UNC	12.9	Each	38112UNC912129
7/16" x 1"	UNC	12.9	Each	7161UNC912129
1/2" x 1 3/4"	UNC	12.9	Each	12134UNC912129
5/8" x 2"	UNC	12.9	Each	582UNC912129

**Countersunk Screw 10.9 Strength - ZINC (DIN 7991)**

Supplied in PACK quantities.



Also available in Stainless Steel Just replace DIN with RVS e.g. M316RVS7991

SIZE mm	PACK QTY	PART NUMBER
M3 x 10	-	M310DIN7991
M3 x 16	25	M316DIN7991
M4 x 16	25	M416DIN7991
M4 x 20	25	M420DIN7991
M4 x 25	25	M425DIN7991
M4 x 30	25	M430DIN7991
M4 x 40	25	M440DIN7991
M5 x 10	25	M510DIN7991
M5 x 12	25	M512DIN7991
M5 x 16	25	M516DIN7991
M5 x 20	25	M520DIN7991
M5 x 25	25	M525DIN7991
M5 x 30	25	M530DIN7991
M5 x 40	25	M540DIN7991
M6 x 10	25	M610DIN7991
M6 x 12	25	M612DIN7991
M6 x 16	25	M616DIN7991
M6 x 20	25	M620DIN7991
M6 x 25	25	M625DIN7991
M6 x 30	25	M630DIN7991
M6 x 35	25	M635DIN7991
M6 x 40	25	M640DIN7991
M6 x 45	25	M645DIN7991
M6 x 50	25	M650DIN7991

SIZE mm	PACK QTY	PART NUMBER
M6 x 60	25	M660DIN7991
M8 x 12	25	M812DIN7991
M8 x 16	25	M816DIN7991
M8 x 20	25	M820DIN7991
M8 x 25	25	M825DIN7991
M8 x 30	25	M830DIN7991
M8 x 35	25	M835DIN7991
M8 x 40	25	M840DIN7991
M8 x 50	25	M850DIN7991
M8 x 60	25	M860DIN7991
M8 x 80	25	M880DIN7991
M8 x 100	25	M8100DIN7991
M10 x 16	25	M1016DIN7991
M10 x 20	25	M1020DIN7991
M10 x 25	25	M1025DIN7991
M10 x 30	25	M1030DIN7991
M10 x 35	25	M1035DIN7991
M10 x 40	25	M1040DIN7991
M10 x 45	25	M1045DIN7991
M10 x 50	25	M1050DIN7991
M10 x 60	25	M1060DIN7991
M10 x 70	25	M1070DIN7991
M10 x 80	25	M1080DIN7991
M10 x 100	25	M10100DIN7991

SIZE mm	PACK QTY	PART NUMBER
M12 x 16	25	M1216DIN7991
M12 x 20	25	M1220DIN7991
M12 x 25	25	M1225DIN7991
M12 x 30	25	M1230DIN7991
M12 x 35	25	M1235DIN7991
M12 x 40	25	M1240DIN7991
M12 x 45	25	M1245DIN7991
M12 x 50	10	M1250DIN7991
M12 x 60	10	M1260DIN7991
M12 x 70	10	M1270DIN7991
M12 x 80	10	M1280DIN7991
M12 x 90	10	M1290DIN7991
M12 x 100	10	M12100DIN7991
M14 x 50	10	M1450DIN7991
M14 x 60	10	M1460DIN7991
M16 x 25	10	M1625DIN7991
M16 x 30	10	M1630DIN7991
M16 x 40	10	M1640DIN7991
M16 x 50	10	M1650DIN7991
M16 x 60	10	M1660DIN7991
M16 x 70	10	M1670DIN7991
M16 x 100	10	M16100DIN7991

**Allen Head Grub Screw 8.8 Strength - ZINC (DIN 916)**

Supplied in PACK quantities.



Also available in Stainless Steel Just replace DIN with RVS e.g. **M33RVS916**

SIZE mm	PACK QTY	PART NUMBER
M3 x 3	25	<b>M33DIN916</b>
M3 x 5	25	<b>M35DIN916</b>
M3 x 6	25	<b>M36DIN916</b>
M4 x 6	25	<b>M46DIN916</b>
M5 x 10	25	<b>M510DIN916</b>
M6 x 8	25	<b>M68DIN916</b>
M6 x 10	25	<b>M610DIN916</b>
M6 x 12	25	<b>M612DIN916</b>
M6 x 16	25	<b>M616DIN916</b>
M6 x 20	25	<b>M620DIN916</b>
M6 x 25	25	<b>M625DIN916</b>
M6 x 30	25	<b>M630DIN916</b>
M6 x 35	25	<b>M635DIN916</b>
M8 x 8	25	<b>M88DIN916</b>

SIZE mm	PACK QTY	PART NUMBER
M8 x 10	25	<b>M810DIN916</b>
M8 x 16	25	<b>M816DIN916</b>
M8 x 20	25	<b>M820DIN916</b>
M8 x 25	25	<b>M825DIN916</b>
M8 x 30	25	<b>M830DIN916</b>
M8 x 35	25	<b>M835DIN916</b>
M8 x 40	25	<b>M840DIN916</b>
M10 x 10	25	<b>M1010DIN916</b>
M10 x 12	25	<b>M1012DIN916</b>
M10 x 16	25	<b>M1016DIN916</b>
M10 x 20	25	<b>M1020DIN916</b>
M10 x 25	25	<b>M1025DIN916</b>
M10 x 30	25	<b>M1030DIN916</b>
M10 x 35	25	<b>M1035DIN916</b>

SIZE mm	PACK QTY	PART NUMBER
M10 x 40	25	<b>M1040DIN916</b>
M10 x 45	25	<b>M1045DIN916</b>
M10 x 50	25	<b>M1050DIN916</b>
M10 x 60	25	<b>M1060DIN916</b>
M12 x 10	25	<b>M1210DIN916</b>
M12 x 12	25	<b>M1212DIN916</b>
M12 x 16	25	<b>M1216DIN916</b>
M12 x 20	25	<b>M1220DIN916</b>
M12 x 25	25	<b>M1225DIN916</b>
M12 x 30	25	<b>M1230DIN916</b>
M12 x 40	25	<b>M1240DIN916</b>
M12 x 50	25	<b>M1250DIN916</b>

**Allen Head Grub Screw 8.8 Strength - BLACK (DIN 916)**

Supplied in PACK quantities.



SIZE mm	PACK QTY	PART NUMBER
M5 x 5	-	<b>M55DIN916B</b>
M5 x 8	-	<b>M58DIN916B</b>
M6 x 6	-	<b>M66DIN916B</b>
M6 x 0.75 x 6	-	<b>M6756DIN916B</b>
M8 x 1 x 8	-	<b>M818DIN916B</b>



**LOCTITE® Lock ' N ' Seal (243) Threadlocking Product**

Simultaneously locks and seals bolts, nuts and studs to prevent loosening from vibration. For thread sizes up to M36 and allows disassembly with normal tools. Effective on all types of metal threaded fasteners. Applications: Locks flywheel bolts, crown wheel bolts, crankshaft nuts and threaded fasteners on covers, locks and seals oil drain plugs etc. Temperature range: -55°C to +150°C.

DESCRIPTION	PART NUMBER
Lock ' N ' Seal (243) 12 x 3ml blister card	<b>0103437</b>
Lock ' N ' Seal (243) 12 x 24ml blister card	<b>0103430</b>
Lock ' N ' Seal (243) 50ml bottle	<b>135278</b>

**Coach Bolt 4.6 Strength c/w Standard Nut - ZINC (DIN 603)**

Supplied in PACK quantities.

Also available in Stainless Steel Just replace DIN with RVS e.g. **M516RVS603**

Note: Bolt Only Supplied (No Nut)

Also available in 8.8 Strength Just add on 88 e.g. **M516DIN60388**

Note: Bolt Only Supplied (No Nut)

SIZE mm	PACK QTY	PART NUMBER
M5 x 16	50	M516DIN603
M5 x 20	50	M520DIN603
M5 x 25	50	M525DIN603
M5 x 30	50	M530DIN603
M5 x 35	50	M535DIN603
M5 x 40	50	M540DIN603
M5 x 45	50	M545DIN603
M5 x 50	50	M550DIN603
M5 x 60	50	M560DIN603
M5 x 70	50	M570DIN603
M6 x 16	50	M616DIN603
M6 x 20	50	M620DIN603
M6 x 25	50	M625DIN603
M6 x 30	50	M630DIN603
M6 x 35	50	M635DIN603
M6 x 40	50	M640DIN603
M6 x 45	50	M645DIN603
M6 x 50	50	M650DIN603
M6 x 55	50	M655DIN603
M6 x 60	50	M660DIN603
M6 x 65	50	M665DIN603
M6 x 70	50	M670DIN603
M6 x 75	50	M675DIN603
M6 x 80	25	M680DIN603
M6 x 90	25	M690DIN603
M6 x 100	25	M6100DIN603
M6 x 110	25	M6110DIN603
M6 x 120	25	M6120DIN603
M6 x 130	25	M6130DIN603
M6 x 140	25	M6140DIN603
M8 x 16	50	M816DIN603
M8 x 20	50	M820DIN603
M8 x 25	50	M825DIN603
M8 x 30	50	M830DIN603
M8 x 35	50	M835DIN603
M8 x 40	50	M840DIN603
M8 x 45	50	M845DIN603

SIZE mm	PACK QTY	PART NUMBER
M8 x 50	50	M850DIN603
M8 x 55	50	M855DIN603
M8 x 60	50	M860DIN603
M8 x 65	50	M865DIN603
M8 x 70	50	M870DIN603
M8 x 75	50	M875DIN603
M8 x 80	50	M880DIN603
M8 x 90	50	M890DIN603
M8 x 100	50	M8100DIN603
M8 x 110	25	M8110DIN603
M8 x 120	25	M8120DIN603
M8 x 130	25	M8130DIN603
M8 x 140	25	M8140DIN603
M8 x 150	25	M8150DIN603
M8 x 160	25	M8160DIN603
M8 x 180	25	M8180DIN603
M10 x 20	50	M1020DIN603
M10 x 25	50	M1025DIN603
M10 x 30	50	M1030DIN603
M10 x 35	50	M1035DIN603
M10 x 40	50	M1040DIN603
M10 x 45	50	M1045DIN603
M10 x 50	50	M1050DIN603
M10 x 60	50	M1060DIN603
M10 x 65	50	M1065DIN603
M10 x 70	50	M1070DIN603
M10 x 80	50	M1080DIN603
M10 x 90	50	M1090DIN603
M10 x 100	50	M10100DIN603
M10 x 110	25	M10110DIN603
M10 x 120	25	M10120DIN603
M10 x 130	25	M10130DIN603
M10 x 140	25	M10140DIN603
M10 x 150	25	M10150DIN603
M10 x 160	25	M10160DIN603
M10 x 170	25	M10170DIN603
M10 x 180	25	M10180DIN603

SIZE mm	PACK QTY	PART NUMBER
M10 x 200	25	M10200DIN603
M10 x 220	25	M10220DIN603
M10 x 240	25	M10240DIN603
M10 x 260	25	M10260DIN603
M10 x 280	25	M10280DIN603
M12 x 30	25	M1230DIN603
M12 x 35	25	M1235DIN603
M12 x 40	25	M1240DIN603
M12 x 45	25	M1245DIN603
M12 x 50	25	M1250DIN603
M12 x 60	25	M1260DIN603
M12 x 70	25	M1270DIN603
M12 x 80	25	M1280DIN603
M12 x 90	25	M1290DIN603
M12 x 100	25	M12100DIN603
M12 x 110	25	M12110DIN603
M12 x 120	25	M12120DIN603
M12 x 130	10	M12130DIN603
M12 x 140	10	M12140DIN603
M12 x 150	10	M12150DIN603
M12 x 160	10	M12160DIN603
M12 x 170	10	M12170DIN603
M12 x 180	10	M12180DIN603
M12 x 200	10	M12200DIN603
M12 x 220	10	M12220DIN603
M12 x 240	10	M12240DIN603
M12 x 260	10	M12260DIN603
M16 x 40	24	M1640DIN603
M16 x 60	25	M1660DIN603
M16 x 80	-	M1680DIN603
M16 x 120	-	M16120DIN603
M16 x 150	-	M16150DIN603
M16 x 180	-	M16180DIN603
M16 x 200	-	M16200DIN603
M16 x 225	-	M16225DIN603

**Bolt Head Screw - ZINC (DIN 571)**

Supplied in PACK quantities.



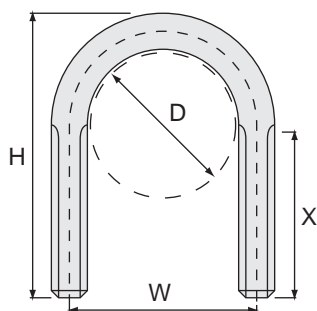
Also available in Stainless Steel Just replace DIN with RVS e.g. M620RVS571

SIZE mm	PACK QTY	PART NUMBER
6 x 20	100	M620DIN571
6 x 25	100	M625DIN571
6 x 30	100	M630DIN571
6 x 35	100	M635DIN571
6 x 40	100	M640DIN571
6 x 45	100	M645DIN571
6 x 50	100	M650DIN571
6 x 60	100	M660DIN571
6 x 70	100	M670DIN571
6 x 80	100	M680DIN571
6 x 90	100	M690DIN571
6 x 100	50	M6100DIN571
6 x 110	50	M6110DIN571
6 x 120	50	M6120DIN571
7 x 40	100	M740DIN571
7 x 50	100	M750DIN571
7 x 60	100	M760DIN571
7 x 70	100	M770DIN571
7 x 80	100	M780DIN571
7 x 110	50	M7110DIN571
7 x 120	50	M7120DIN571
7 x 130	50	M7130DIN571
8 x 30	100	M830DIN571

SIZE mm	PACK QTY	PART NUMBER
8 x 35	100	M835DIN571
8 x 40	100	M840DIN571
8 x 45	100	M845DIN571
8 x 50	100	M850DIN571
8 x 55	100	M855DIN571
8 x 60	100	M860DIN571
8 x 65	100	M865DIN571
8 x 70	100	M870DIN571
8 x 80	100	M880DIN571
8 x 90	25	M890DIN571
8 x 100	25	M8100DIN571
8 x 110	25	M8110DIN571
8 x 120	25	M8120DIN571
8 x 130	25	M8130DIN571
8 x 140	25	M8140DIN571
8 x 150	25	M8150DIN571
8 x 160	25	M8160DIN571
8 x 200	25	M8200DIN571
10 x 40	50	M1040DIN571
10 x 50	50	M1050DIN571
10 x 60	50	M1060DIN571
10 x 70	50	M1070DIN571
10 x 80	50	M1080DIN571

SIZE mm	PACK QTY	PART NUMBER
10 x 90	50	M1090DIN571
10 x 100	50	M10100DIN571
10 x 110	50	M10110DIN571
10 x 120	25	M10120DIN571
10 x 130	25	M10130DIN571
10 x 140	25	M10140DIN571
10 x 150	25	M10150DIN571
10 x 160	25	M10160DIN571
10 x 180	25	M10180DIN571
10 x 200	25	M10200DIN571
12 x 50	25	M1250DIN571
12 x 60	25	M1260DIN571
12 x 70	25	M1270DIN571
12 x 80	25	M1280DIN571
12 x 90	25	M1290DIN571
12 x 100	25	M12100DIN571
12 x 110	25	M12110DIN571
12 x 120	25	M12120DIN571
12 x 140	25	M12140DIN571
12 x 150	25	M12150DIN571
12 x 160	25	M12160DIN571
12 x 180	25	M12180DIN571
12 x 200	25	M12200DIN571

**U-Bolts**



D mm	H mm	THREAD	X mm	W mm	TUBE Inch	PART NUMBER
15	46	M8	20	30	1/2"	BS15UB
15	67	M10	30	33	-	357015
20	54	M8	20	35	3/4"	BS20UB
25 - 26.9	70	M10	40	40	-	357020
25	58	M8	25	43	1"	BS25UB
25	68	M8	25	43	1"	BS25LUB
30 - 33.7	76	M10	40	48	-	357025
32	68	M8	30	51	1 1/4"	BS32UB
32	86	M10	50	38 - 42.4	-	357032
40	88	M8	30	58	1 1/2"	BS40UB
40	90	M10	30	60	1 1/2"	BS40LUB
50	90	M10	35	71	2"	BS50UB
57 - 60.3	109	M12	50	76	-	357050
76.1	125	M12	50	94	-	357065
88.9	138	M12	50	106	-	357080
108 - 114.3	171	M16	60	136	-	3570100

### Flanged Locking Bolts - Zinc

Supplied in PACK quantities.



SIZE mm	PACK QTY	PART NUMBER
M6 x 10	100	M610VT
M6 x 12	100	M612VT
M6 x 16	100	M616VT
M6 x 20	100	M620VT
M6 x 25	100	M625VT
M8 x 12	100	M812VT
M8 x 16	100	M816VT
M8 x 20	100	M820VT
M8 x 25	100	M825VT

SIZE mm	PACK QTY	PART NUMBER
M8 x 30	100	M830VT
M8 x 40	100	M840VT
M10 x 16	100	M1016VT
M10 x 20	100	M1020VT
M10 x 25	100	M1025VT
M10 x 30	100	M1030VT
M10 x 35	100	M1035VT
M10 x 40	100	M1040VT

### Flanged Locking Bolts - Black

Supplied in PACK quantities.



SIZE mm	PACK QTY	PART NUMBER
M6 x 10	100	M610VR
M6 x 12	100	M612VR
M6 x 16	100	M616VR
M6 x 20	100	M620VR
M6 x 25	100	M625VR
M8 x 12	100	M812VR
M8 x 16	100	M816VR
M8 x 20	100	M820VR
M8 x 30	100	M830VR
M8 x 40	100	M840VR
M10 x 16	100	M1016VR
M10 x 20	100	M1020VR

SIZE mm	PACK QTY	PART NUMBER
M10 x 25	100	M1025VR
M10 x 30	100	M1030VR
M10 x 35	100	M1035VR
M10 x 40	100	M1040VR
M12 x 20	100	M1220VR
M12 x 25	100	M1225VR
M12 x 35	100	M1235VR
M12 x 40	100	M1240VR
M16 x 30	100	M1630VR
M16 x 40	100	M1640VR
M16 x 60	100	M1660VR
M16 x 70	100	M1670VR

### METRIC Wing Bolt - Zinc (DIN 316)

Supplied in PACK quantities .



SIZE mm	PACK QTY	PART NUMBER
M5 x 16	25	M516DIN316
M6 x 20	25	M620DIN316
M8 x 10	25	M810DIN316
M8 x 16	25	M816DIN316
M8 x 20	25	M820DIN316

SIZE mm	PACK QTY	PART NUMBER
M8 x 25	25	M825DIN316
M8 x 30	50	M830DIN316
M10 x 20	25	M1020DIN316
M10 x 25	25	M1025DIN316
M10 x 30	-	M1030DIN316

### METRIC Eye Bolt - Zinc (DIN 580)

Supplied in PACK quantities.



THREAD SIZE	PACK QTY	PART NUMBER
M6	10	M6DIN580
M8	10	M8DIN580
M10	10	M10DIN580
M12	10	M12DIN580
M16	10	M16DIN580



### METRIC Standard Nut - ZINC (DIN 934)

Supplied in PACK quantities.

THREAD SIZE	PACK QTY	PART NUMBER
M3	100	M3DIN934
M4	100	M4DIN934
M5	100	M5DIN934
M6	100	M6DIN934
M7	100	M7DIN934
M8	100	M8DIN934
M10	100	M10DIN934
M12	100	M12DIN934
M14	50	M14DIN934
M16	50	M16DIN934

THREAD SIZE	PACK QTY	PART NUMBER
M18	25	M18DIN934
M20	25	M20DIN934
M22	25	M22DIN934
M24	20	M24DIN934
M27	5	M27DIN934
M30	5	M30DIN934
M33	5	M33DIN934
M36	5	M36DIN934
M42	1	M42DIN934

Also available in Stainless Steel Just replace DIN with RVS e.g. **M3RVS934**

Also available in 10.9 Strength Just drop DIN and add on 109 e.g. **M6934109**



### METRIC Fine Thread Standard Nut - ZINC (DIN 934)

Supplied in PACK quantities.

THREAD SIZE	PACK QTY	PART NUMBER
M8 x 1	25	M81DIN934
M10 x 1	25	M101DIN934
M10 x 1.25	25	M10125DIN934
M12 x 1	25	M121DIN934
M12 x 1.25	25	M12125DIN934
M12 x 1.5	25	M1215DIN934
M14 x 1.5	10	M1415DIN934
M16 x 1.5	10	M1615DIN934
M18 x 1.5	10	M1815DIN934
M20 x 1.5	10	M2015DIN934
M22 x 1.5	10	M2215DIN934

THREAD SIZE	PACK QTY	PART NUMBER
M22 x 2	10	M222DIN934
M24 x 1.5	10	M2415DIN934
M24 x 2	-	M242DIN934
M27 x 1.5	5	M2715DIN934
M30 x 1.5	5	M3015DIN934
M30 x 2	5	M302DIN934
M33 x 2	5	M332DIN934
M36 x 1.5	5	M3615DIN934
M36 x 2	5	M362DIN934
M39 x 3	-	M393DIN934
M56 x 4	-	M564DIN934

Also available in 10.9 Strength Just drop DIN and add on 109 e.g. **M101934109**



### METRIC Standard Nut - BLACK (DIN 934)

Supplied in single units.

THREAD SIZE	PART NUMBER
M4	M4DIN934B
M6	M6DIN934B
M8	M8DIN934B
M10	M10DIN934B
M10 x 1	M101DIN934B
M12	M12DIN934B
M14	M14DIN934B
M14 x 1.5	M1415DIN934B

THREAD SIZE	PART NUMBER
M16	M16DIN934B
M20	M20DIN934B
M24	M24DIN934B
M24 x 2	M242DIN934B
M30	M30DIN934B
M36	M36DIN934B
M36 x 3 x 14	M36314DIN934B
M36 x 3	M363DIN934B

**IMPERIAL Fine Thread Standard Nut - ZINC (DIN 934)**

Supplied in PACK quantities.



SIZE Inch	THREAD TYPE	PACK QTY	PART NUMBER
1/4	UNF	25	14UNF934
5/16	UNF	25	516UNF934
3/8	UNF	25	38UNF934
7/16	UNF	25	716UNF934
1/2	UNF	25	12UNF934
9/16	UNF	25	916UNF934
5/8	UNF	25	58UNF934
3/4	UNF	10	34UNF934
7/8	UNF	10	78UNF934
1	UNF	10	1UNF934

**IMPERIAL Coarse Thread Standard Nut - ZINC (DIN 934)**

Supplied in PACK quantities.



SIZE Inch	THREAD TYPE	PACK QTY	PART NUMBER
3/16	UNC	25	316UNC934
1/4	UNC	25	14UNC934
5/16	UNC	25	516UNC934
3/8	UNC	25	38UNC934
7/16	UNC	25	716UNC934
1/2	UNC	25	12UNC934
1/2	WW	10	12WWDIN934
9/16	UNC	25	916UNC934
5/8	UNC	10	58UNC934
3/4	UNC	10	34UNC934
7/8	UNC	10	78UNC934
1	UNC	10	1UNC934
1 1/8	WW	10	118WWDIN934
1 1/4	UNC	10	114UNC934
1 1/2	WW	10	112WWDIN934

Note: WW is With Worth thread.

**LOCTITE® Lock ' N ' Seal (243) Threadlocking Product**

Simultaneously locks and seals bolts, nuts and studs to prevent loosening from vibration. For thread sizes up to M36 and allows disassembly with normal tools. Effective on all types of metal threaded fasteners. Applications: Locks flywheel bolts, crown wheel bolts, crankshaft nuts and threaded fasteners on covers, locks and seals oil drain plugs etc. Temperature range: -55°C to +150°C.

DESCRIPTION	PART NUMBER
Lock ' N ' Seal (243) 12 x 3ml blister card	0103437
Lock ' N ' Seal (243) 12 x 24ml blister card	0103430
Lock ' N ' Seal (243) 50ml bottle	135278



### METRIC Lock Nut - ZINC (DIN 985)

Supplied in PACK quantities.

THREAD SIZE	PACK QTY	PART NUMBER
M3	100	M3DIN985
M4	100	M4DIN985
M5	100	M5DIN985
M6	100	M6DIN985
M7	100	M7DIN985
M8	100	M8DIN985
M10	100	M10DIN985
M12	100	M12DIN985
M14	50	M14DIN985
M16	50	M16DIN985

THREAD SIZE	PACK QTY	PART NUMBER
M18	25	M18DIN985
M20	25	M20DIN985
M22	25	M22DIN985
M24	20	M24DIN985
M27	5	M27DIN985
M30	5	M30DIN985
M33	5	M33DIN985
M36	5	M36DIN985
M48	-	M48DIN985

Also available in Stainless Steel just place RVS in front of DIN e.g. **M3RVSDIN985**

Also available in 10.9 Strength Just drop DIN and add on 109 e.g. **M6985109**



### METRIC Fine Thread Lock Nut - ZINC (DIN 985)

Supplied in PACK quantities.

THREAD SIZE	PACK QTY	PART NUMBER
M8 x 1	25	M81DIN985
M10 x 1	25	M101DIN985
M10 x 1.25	25	M10125DIN985
M12 x 1.25	25	M12125DIN985
M12 x 1.5	25	M1215DIN985
M14 x 1.5	25	M1415DIN985
M16 x 1.5	25	M1615DIN985

THREAD SIZE	PACK QTY	PART NUMBER
M18 x 1.5	10	M1815DIN985
M20 x 1.5	10	M2015DIN985
M22 x 1.5	10	M2215DIN985
M24 x 1.5	10	M2415DIN985
M30 x 1.5	5	M3015DIN985
M30 x 2	5	M302DIN985

Also available in 10.9 Strength Just drop DIN and add on 109 e.g. **M81985109**



### IMPERIAL Fine Thread Lock Nut - ZINC (DIN 985)

Supplied in PACK quantities.

SIZE Inch	THREAD TYPE	PACK QTY	PART NUMBER
1/4	UNF	25	14UNF985
5/16	UNF	25	516UNF985
3/8	UNF	25	38UNF985
7/16	UNF	25	716UNF985
1/2	UNF	25	12UNF985
9/16	UNF	25	916UNF985
5/8	UNF	25	58UNF985
3/4	UNF	25	34UNF985
7/8	UNF	25	78UNF985
1	UNF	10	1UNF985
1 1/4	UNF	5	114UNF985

**IMPERIAL Coarse Lock Nut - ZINC (DIN 985)**

Supplied in PACK quantities.



SIZE Inch	THREAD TYPE	PACK QTY	PART NUMBER
1/4	UNC	25	14UNC985
5/16	UNC	25	516UNC985
3/8	UNC	25	38UNC985
7/16	UNC	25	716UNC985
1/2	UNC	25	12UNC985
9/16	UNC	25	916UNC985
5/8	UNC	25	58UNC985
3/4	UNC	25	34UNC985
7/8	UNC	10	78UNC985
1	UNC	10	1UNC985
1 1/4	UNC	5	114UNC985

**METRIC Self Locking Nut - ZINC (DIN 980)**

Supplied in PACK quantities.

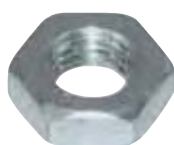


THREAD SIZE	PACK QTY	PART NUMBER
M6	100	M6DIN980
M8	100	M8DIN980
M10	100	M10DIN980
M12	100	M12DIN980
M14	50	M14DIN980
M14 x 1.5	100	M1415DIN980

THREAD SIZE	PACK QTY	PART NUMBER
M16	50	M16DIN980
M18	25	M18DIN980
M20	25	M20DIN980
M22	10	M22DIN980
M24	10	M24DIN980

**Short Locking Nut (DIN 936)**

Supplied in PACK quantities.



THREAD SIZE	PACK QTY	PART NUMBER
M8	100	M8DIN936
M10	100	M10DIN936
M12	100	M12DIN936
M14	50	M14DIN936
M16	50	M16DIN936
M18	25	M18DIN936
M20	25	M20DIN936



### Connecting Nut (DIN 6334)

Supplied in PACK quantities.

THREAD SIZE	PACK QTY	PART NUMBER	PACK QTY	STAINLESS STEEL PART NUMBER
M4	25	M4DIN6334		
M5	25	M5DIN6334	10	M5RVS6334
M6	25	M6DIN6334	10	M6RVS6334
M8	25	M8DIN6334	10	M8RVS6334
M10	25	M10DIN6334	10	M10RVS6334
M12	25	M12DIN6334	10	M12RVS6334
M14	10	M14DIN6334	5	M14RVS6334
M16	10	M16DIN6334	5	M16RVS6334
M20	10	M20DIN6334	5	M20RVS6334
M22	-	M22DIN6334		
M24	5	M24DIN6334		



DIN 928



DIN 929

### Connecting Nuts (DIN 928 & DIN 929)

Supplied in PACK quantities.

THREAD SIZE	PACK QTY	DIN 928 PART NUMBER	PACK QTY	DIN 929 PART NUMBER
M4	-	-	25	M4DIN929
M5	-	-	25	M5DIN929
M6	-	-	25	M6DIN929
M8	-	-	25	M8DIN929
M10	25	M10DIN928	-	-
M12	25	M12DIN928	-	-



Wide Type



Narrow Type

### Castle Nut (DIN 935 & DIN 937)

Supplied in PACK quantities.

THREAD SIZE	PACK QTY	WIDE TYPE PART NUMBER	PACK QTY	NARROW TYPE PART NUMBER
M12	10	M12DIN935	-	-
M12 x 1.5	10	M1215DIN935	10	M1215DIN937
M14	10	M14DIN935	-	-
M14 x 1.5	10	M1415DIN935	10	M1415DIN937
M16	10	M16DIN935	-	-
M16 x 1.5	10	M1615DIN935	10	M1615DIN937
M18	10	M18DIN935	-	-
M18 x 1.5	10	M1815DIN935	10	M1815DIN937
M20	10	M20DIN935	-	-
M20 x 1.5	10	M2015DIN935	10	M2015DIN937
M22	10	M22DIN935	-	-
M22 x 1.5	10	M2215DIN935	10	M2215DIN937
M24	10	M24DIN935	10	M24DIN937
M24 x 1.5	5	M2415DIN935	10	M2415DIN937
M27	5	M27DIN935	-	-
M27 x 1.5	5	M2715DIN935	10	M2715DIN937
M30	5	M30DIN935	-	-
M30 x 1.5	5	M3015DIN935	-	-
M36 x 1.5	-	-	5	M3615DIN937



### Domed Cap Nut (DIN 1587)

Supplied in PACK quantities.

THREAD SIZE	PACK QTY	PART NUMBER	PACK QTY	STAINLESS STEEL PART NUMBER
M4	25	M4DIN1587	25	M4RVS1587
M5	25	M5DIN1587	25	M5RVS1587
M6	25	M6DIN1587	25	M6RVS1587
M8	25	M8DIN1587	25	M8RVS1587
M10	25	M10DIN1587	25	M10RVS1587
M12	25	M12DIN1587	25	M12RVS1587
M14	10	M14DIN1587	10	M14RVS1587
M16	10	M16DIN1587	10	M16RVS1587
M20	-	-	10	M20RVS1587



### Wing Nut (DIN 315)

Supplied in PACK quantities.

THREAD SIZE	PACK QTY	PART NUMBER	PACK QTY	STAINLESS STEEL PART NUMBER
M3	-	-	25	M3RVS315
M4	25	M4DIN315	25	M4RVS315
M5	25	M5DIN315	25	M5RVS315
M6	25	M6DIN315	25	M6RVS315
M8	25	M8DIN315	25	M8RVS315
M10	25	M10DIN315	25	M10RVS315
M12	25	M12DIN315	25	M12RVS315
M14	-	-	10	M14RVS315
M16	10	M16DIN315	10	M16RVS315
M20	-	-	10	M20RVS315



### Eye Nut (DIN 582)

Supplied in PACK quantities.

THREAD SIZE	PACK QTY	PART NUMBER
M6	10	M6DIN582
M8	10	M8DIN582
M10	10	M10DIN582
M12	10	M12DIN582

THREAD SIZE	PACK QTY	PART NUMBER
M16	10	M16DIN582
3/4 UNC	10	34UNC582
M20	10	M20DIN582
M30	10	M30DIN582



### Anti-Vibration Flanged Nut

Supplied in PACK quantities.

THREAD SIZE	PACK QTY	PART NUMBER
M5	25	M5VR
M6	25	M6VR
M8	25	M8VR

THREAD SIZE	PACK QTY	PART NUMBER
M10	25	M10VR
M12	25	M12VR
M16	25	M16VR



### Anti-Vibration Tensile Lock Flanged Nut

Supplied in PACK quantities.

THREAD SIZE	PACK QTY	PART NUMBER
M5	25	M5VT
M6	25	M6VT
M8	25	M8VT

THREAD SIZE	PACK QTY	PART NUMBER
M10	25	M10VT
M12	25	M12VT
M16	25	M16VT



### Taptite Bolt (DIN 7500C)

Supplied in PACK quantities.

SIZE mm	PACK QTY	PART NUMBER
M5 x 10	200	M510DIN7500C
M6 x 10	200	M610DIN7500C
M6 x 12	200	M612DIN7500C
M6 x 16	200	M616DIN7500C
M6 x 30	200	M630DIN7500C

### Self Tapping Screws Hexagon Head (DIN 7976C)

Supplied in PACK quantities.



SIZE mm	PACK QTY	PART NUMBER
2.9 x 9.5	200	2995DIN7976C
3.5 x 9.5	200	3595DIN7976C
3.5 x 13	200	3513DIN7976C
3.5 x 16	200	3516DIN7976C
3.5 x 19	200	3519DIN7976C
3.5 x 25	200	3525DIN7976C
3.9 x 16	200	3916DIN7976C
4.2 x 9.5	200	4295DIN7976C
4.2 x 13	200	4213DIN7976C
4.2 x 16	200	4216DIN7976C
4.2 x 19	200	4219DIN7976C
4.2 x 25	200	4225DIN7976C
4.2 x 32	200	4232DIN7976C
4.8 x 9.5	200	4895DIN7976C
4.8 x 13	200	4813DIN7976C
4.8 x 16	200	4816DIN7976C

SIZE mm	PACK QTY	PART NUMBER
4.8 x 19	200	4819DIN7976C
4.8 x 25	200	4825DIN7976C
4.8 x 32	200	4832DIN7976C
5.5 x 13	200	5513DIN7976C
5.5 x 16	200	5516DIN7976C
5.5 x 19	200	5519DIN7976C
5.5 x 25	200	5525DIN7976C
5.5 x 32	200	5532DIN7976C
6.3 x 16	200	6316DIN7976C
6.3 x 19	200	6319DIN7976C
6.3 x 25	200	6325DIN7976C
8 x 16	200	816DIN7976C
8 x 19	200	819DIN7976C
8 x 25	200	825DIN7976C
8 x 32	200	832DIN7976C
8 x 38	200	838DIN7976C

### Counter Sunk Screw (DIN 7982B & DIN7982C)

Supplied in PACK quantities.



SIZE mm	PACK QTY	PART NUMBER
2.9 x 9.5	100	2995DIN7982B
2.9 x 19	100	2919DIN7982B
3.5 x 19	100	3519DIN7982B
3.5 x 16	100	3516DIN7982C
3.5 x 32	100	3532DIN7982C
3.9 x 25	100	3925DIN7982B
4.2 x 16	100	4216DIN7982C
4.2 x 19	100	4219DIN7982C
4.2 x 25	100	4225DIN7982B
4.2 x 32	100	4232DIN7982C
4.2 x 38	100	4238DIN7982B
4.2 x 45	100	4245DIN7982C
4.2 x 50	100	4250DIN7982B
4.8 x 16	100	4816DIN7982C

SIZE mm	PACK QTY	PART NUMBER
4.8 x 19	100	4819DIN7982C
4.8 x 22	100	4822DIN7982C
4.8 x 25	100	4825DIN7982C
4.8 x 32	100	4832DIN7982C
4.8 x 38	100	4838DIN7982C
4.8 x 45	100	4845DIN7982C
5.5 x 32	100	5532DIN7982C
5.5 x 38	100	5538DIN7982B
5.5 x 45	100	5545DIN7982C
5.5 x 50	100	5550DIN7982C
6.3 x 25	100	6325DIN7982C
6.3 x 38	100	6338DIN7982C
6.3 x 48	100	6348DIN7982C

**Self Tapping Screws Round Head Countersunk (DIN 7981B)**

Supplied in PACK quantities.



Also available in Stainless Steel  
Just replace DIN with RVS

e.g. **2913RVS7981B**

SIZE mm	PACK QTY	PART NUMBER
2.9 x 9.5	200	2995DIN7981B
2.9 x 13	200	2913DIN7981B
2.9 x 16	200	2916DIN7981B
2.9 x 19	200	2919DIN7981B
3.5 x 9.5	200	3595DIN7981B
3.5 x 13	200	3513DIN7981B
3.5 x 16	200	3516DIN7981B
3.5 x 19	200	3519DIN7981B
3.5 x 22	200	3522DIN7981B
3.5 x 25	200	3525DIN7981B
3.5 x 32	200	3532DIN7981B
3.9 x 13	200	3913DIN7981B
3.9 x 16	200	3916DIN7981B
3.9 x 19	200	3919DIN7981B
3.9 x 25	200	3925DIN7981B
3.9 x 38	200	3938DIN7981B
4.2 x 9.5	200	4295DIN7981B
4.2 x 13	200	4213DIN7981B
4.2 x 14	200	4214DIN7981B
4.2 x 15	200	4215DIN7981B
4.2 x 16	200	4216DIN7981B
4.2 x 17	200	4217DIN7981B
4.2 x 19	200	4219DIN7981B
4.2 x 25	200	4225DIN7981B

SIZE mm	PACK QTY	PART NUMBER
4.2 x 32	200	4232DIN7981B
4.2 x 38	200	4238DIN7981B
4.8 x 9.5	200	4895DIN7981B
4.8 x 13	200	4813DIN7981B
4.8 x 16	200	4816DIN7981B
4.8 x 19	200	4819DIN7981B
4.8 x 20	200	4820DIN7981B
4.8 x 22	200	4822DIN7981B
4.8 x 25	200	4825DIN7981B
4.8 x 32	200	4832DIN7981B
5.5 x 13	200	5513DIN7981B
5.5 x 16	200	5516DIN7981B
5.5 x 19	200	5519DIN7981B
5.5 x 25	200	5525DIN7981B
5.5 x 32	200	5532DIN7981B
5.5 x 50	200	5550DIN7981B
6.3 x 16	200	6316DIN7981B
6.3 x 19	200	6319DIN7981B
6.3 x 25	200	6325DIN7981B
6.3 x 32	200	6332DIN7981B
6.3 x 38	200	6338DIN7981B
6.3 x 45	200	6345DIN7981B
6.3 x 50	200	6350DIN7981B

**Self Tapping Screws with Phillips Head (DIN 7983C)**

Supplied in PACK quantities.



Also available in Stainless Steel  
Just replace DIN with RVS

e.g. **2995RVS7983C**

SIZE mm	PACK QTY	PART NUMBER
2.9 x 9.5	200	2995DIN7983C
2.9 x 13	200	2913DIN7983C
2.9 x 16	200	2916DIN7983C
2.9 x 19	200	2919DIN7983C
3.5 x 9.5	200	3595DIN7983C
3.5 x 13	200	3513DIN7983C
3.5 x 16	200	3516DIN7983C
3.5 x 19	200	3519DIN7983C
3.5 x 25	200	3525DIN7983C
3.9 x 16	200	3916DIN7983C
4.2 x 9.5	200	4295DIN7983C
4.2 x 13	200	4213DIN7983C
4.2 x 16	200	4216DIN7983C
4.2 x 19	200	4219DIN7983C
4.2 x 25	200	4225DIN7983C
4.2 x 32	200	4232DIN7983C

SIZE mm	PACK QTY	PART NUMBER
4.8 x 9.5	200	4895DIN7983C
4.8 x 13	200	4813DIN7983C
4.8 x 16	200	4816DIN7983C
4.8 x 19	200	4819DIN7983C
4.8 x 25	200	4825DIN7983C
4.8 x 32	200	4832DIN7983C
4.8 x 38	200	4838DIN7983C
5.5 x 13	200	5513DIN7983C
5.5 x 16	200	5516DIN7983C
5.5 x 19	200	5519DIN7983C
5.5 x 25	200	5525DIN7983C
5.5 x 32	200	5532DIN7983C
6.3 x 16	200	6316DIN7983C
6.3 x 19	200	6319DIN7983C
6.3 x 25	200	6325DIN7983C

**Self Tapping Metal Screws (DIN 7504)**

Supplied in PACK quantities.



DIN 7504N



DIN 7504K

SIZE mm	PACK QTY	DIN7504N PART NUMBER	DIN7504K PART NUMBER
2.9 x 9.5	200	2995DIN7504N	-
2.9 x 13	200	2913DIN7504N	-
2.9 x 16	200	2916DIN7504N	-
2.9 x 19	200	2919DIN7504N	-
3.5 x 9.5	200	3595DIN7504N	3595DIN7504K
3.5 x 13	200	3513DIN7504N	3513DIN7504K
3.5 x 16	200	3516DIN7504N	3516DIN7504K
3.5 x 19	200	3519DIN7504N	3519DIN7504K
3.5 x 25	200	3525DIN7504N	3525DIN7504K
3.9 x 16	200	3916DIN7504N	3916DIN7504K
3.9 x 32	200	3932DIN7504N	-
4.2 x 9.5	200	4295DIN7504N	-
4.2 x 13	200	4213DIN7504N	4213DIN7504K
4.2 x 16	200	4216DIN7504N	4216DIN7504K
4.2 x 19	200	4219DIN7504N	4219DIN7504K
4.2 x 25	200	4225DIN7504N	4225DIN7504K
4.2 x 32	200	4232DIN7504N	4232DIN7504K

SIZE mm	PACK QTY	DIN7504N PART NUMBER	DIN7504K PART NUMBER
4.8 x 13	200	4813DIN7504N	4813DIN7504K
4.8 x 16	200	4816DIN7504N	4816DIN7504K
4.8 x 19	200	4819DIN7504N	4819DIN7504K
4.8 x 25	200	4825DIN7504N	4825DIN7504K
4.8 x 32	200	4832DIN7504N	4832DIN7504K
4.8 x 38	200	4838DIN7504N	4838DIN7504K
4.8 x 50	200	4850DIN7504N	-
5.5 x 16	200	5516DIN7504N	5516DIN7504K
5.5 x 19	200	5519DIN7504N	5519DIN7504K
5.5 x 25	200	5525DIN7504N	5525DIN7504K
5.5 x 32	200	5532DIN7504N	5532DIN7504K
5.5 x 50	200	-	5550DIN7504K
6.3 x 16	200	6316DIN7504N	6316DIN7504K
6.3 x 19	200	-	6319DIN7504K
6.3 x 25	200	6325DIN7504N	6325DIN7504K
6.3 x 32	200	-	6332DIN7504K
6.3 x 38	200	-	6338DIN7504K

**Self Tapping Metal Screws with Neoprene Washer (DIN 7976)**

Supplied in PACK quantities.



SIZE mm	PACK QTY	PART NUMBER
6.5 x 19	200	6519NEO7976
6.5 x 25	200	6525NEO7976
6.5 x 38	200	6538NEO7976
6.5 x 50	200	6550NEO7976
6.5 x 64	200	6564NEO7976
6.5 x 75	200	6575NEO7976
6.5 x 90	200	6590NEO7976
6.5 x 115	200	65115NEO7976
6.5 x 130	200	65130NEO7976

**Self Tapping Screws POSIDRIVE BZP**

Supplied in PACK quantities.



SIZE mm	PACK QTY	PART NUMBER
4 x 12	200	M40501
6 x 16	200	M40506
8 x 19	200	M40514
10 x 25	200	M40523

### Machine Screws with Cylindrical Slotted Head (DIN 84)

Supplied in PACK quantities.



Also available in Stainless Steel  
Just replace DIN with RVS

e.g. **M36RVS84**

Stainless Steel Screws are  
supplied in box quantities of 50

SIZE mm	PACK QTY	PART NUMBER
M3 x 6	100	M36DIN84
M3 x 8	100	M38DIN84
M3 x 10	100	M310DIN84
M3 x 12	100	M312DIN84
M3 x 16	100	M316DIN84
M3 x 20	100	M320DIN84
M3 x 25	100	M325DIN84
M3 x 30	100	M330DIN84
M3 x 40	100	M340DIN84
M4 x 6	100	M46DIN84
M4 x 8	100	M48DIN84
M4 x 10	100	M410DIN84
M4 x 12	100	M412DIN84
M4 x 16	100	M416DIN84
M4 x 20	100	M420DIN84
M4 x 25	100	M425DIN84
M4 x 30	100	M430DIN84
M4 x 35	100	M435DIN84
M4 x 40	100	M440DIN84
M4 x 45	100	M445DIN84
M4 x 50	100	M450DIN84
M4 x 60	100	M460DIN84
M5 x 6	100	M56DIN84
M5 x 8	100	M58DIN84

SIZE mm	PACK QTY	PART NUMBER
M5 x 10	100	M510DIN84
M5 x 12	100	M512DIN84
M5 x 16	100	M516DIN84
M5 x 20	100	M520DIN84
M5 x 25	100	M525DIN84
M5 x 30	100	M530DIN84
M5 x 35	100	M535DIN84
M5 x 40	100	M540DIN84
M5 x 45	100	M545DIN84
M5 x 50	100	M550DIN84
M5 x 60	100	M560DIN84
M6 x 8	100	M68DIN84
M6 x 10	100	M610DIN84
M6 x 12	100	M612DIN84
M6 x 16	100	M616DIN84
M6 x 20	100	M620DIN84
M6 x 25	100	M625DIN84
M6 x 30	100	M630DIN84
M6 x 35	100	M635DIN84
M6 x 40	100	M640DIN84
M6 x 50	100	M650DIN84
M6 x 60	100	M660DIN84
M6 x 70	100	M670DIN84

### Counter Sunk Machine Screws with Slotted Head (DIN 963)

Supplied in PACK quantities.



Also available in Stainless Steel  
Just replace DIN with RVS

e.g. **M310RVS963**

Stainless Steel Screws are  
supplied in box quantities of 50

SIZE mm	PACK QTY	PART NUMBER
M3 x 10	100	M310DIN963
M3 x 20	100	M320DIN963
M3 x 30	100	M330DIN963
M3 x 38	100	M338DIN963
M4 x 10	100	M410DIN963
M4 x 12	100	M412DIN963
M4 x 16	100	M416DIN963
M4 x 20	100	M420DIN963
M4 x 25	100	M425DIN963
M4 x 30	100	M430DIN963
M4 x 35	100	M435DIN963
M4 x 40	100	M440DIN963
M4 x 50	100	M450DIN963
M4 x 60	100	M460DIN963
M5 x 10	100	M510DIN963
M5 x 12	100	M512DIN963
M5 x 16	100	M516DIN963
M5 x 20	100	M520DIN963
M5 x 25	100	M525DIN963
M5 x 30	100	M530DIN963
M5 x 35	100	M535DIN963
M5 x 40	100	M540DIN963
M5 x 45	100	M545DIN963
M5 x 50	100	M550DIN963

SIZE mm	PACK QTY	PART NUMBER
M6 x 10	100	M610DIN963
M6 x 16	100	M616DIN963
M6 x 20	100	M620DIN963
M6 x 25	100	M625DIN963
M6 x 30	100	M630DIN963
M6 x 35	100	M635DIN963
M6 x 40	100	M640DIN963
M6 x 45	100	M645DIN963
M6 x 50	100	M650DIN963
M6 x 60	100	M660DIN963
M6 x 70	100	M670DIN963
M8 x 20	100	M820DIN963
M8 x 25	100	M825DIN963
M8 x 30	100	M830DIN963
M8 x 35	100	M835DIN963
M8 x 40	100	M840DIN963
M8 x 50	100	M850DIN963
M8 x 60	100	M860DIN963
M8 x 70	100	M870DIN963
M10 x 25	100	M1025DIN963
M10 x 30	100	M1030DIN963
M10 x 35	100	M1035DIN963
M10 x 50	100	M1050DIN963
M12 x 30	100	M1230DIN963



Cross Cut



Dome Head

### Machine Screws with Zinc Plated Counter Sunk Head (DIN 965 / DIN 966)

Supplied in PACK quantities.

SIZE mm	PACK QTY	CROSS CUT PART NUMBER	PACK QTY	DOMED HEAD PART NUMBER
M4 x 8	200	<b>M48DIN965</b>	-	-
M4 x 12	200	-	100	<b>M412DIN966</b>
M4 X 16	200	<b>M416DIN965</b>	-	-
M5 X 25	-	-	100	<b>M525DIN966</b>
M5 X 30	-	-	100	<b>M530DIN966</b>
M5 X 35	-	-	100	<b>M535DIN966</b>
M6 X 16	200	<b>M616DIN965</b>	100	<b>M616DIN966</b>
M6 X 20	200	<b>M620DIN965</b>	100	<b>M620DIN966</b>
M6 X 25	200	<b>M625DIN965</b>	100	<b>M625DIN966</b>
M6 X 30	200	<b>M630DIN965</b>	100	<b>M630DIN966</b>
M6 X 35	200	<b>M635DIN965</b>	100	<b>M635DIN966</b>
M6 X 40	200	<b>M640DIN965</b>	-	-



Also available in Stainless Steel  
Just replace DIN with RVS

e.g. **M310RVS7985**

Stainless Steel Screws are  
supplied in box quantities of 50

### Machine Screw with Cylindrical Phillips Head (DIN 7985)

Supplied in PACK quantities.

SIZE mm	PACK QTY	PART NUMBER
M4 X 12	200	<b>M412DIN7985</b>
M4 X 16	200	<b>M416DIN7985</b>
M4 X 20	200	<b>M420DIN7985</b>
M4 X 25	200	<b>M425DIN7985</b>
M4 X 30	200	<b>M430DIN7985</b>
M4 X 35	200	<b>M435DIN7985</b>

SIZE mm	PACK QTY	PART NUMBER
M4 X 40	200	<b>M440DIN7985</b>
M4 X 50	200	<b>M450DIN7985</b>
M4 X 60	200	<b>M460DIN7985</b>
M5 X 16	200	<b>M516DIN7985</b>
M5 X 20	200	<b>M520DIN7985</b>
M5 X 25	200	<b>M525DIN7985</b>

### Dome Head Machine Screws



SIZE	PACK QTY	PART NUMBER
5 X 40	Each	<b>PV540</b>
5 X 50	Each	<b>PV550</b>
5 X 60	Each	<b>PV560</b>
6 X 16	Each	<b>PV616</b>
6 X 20	Each	<b>PV620</b>
6 X 25	Each	<b>PV625</b>
6 X 30	Each	<b>PV630</b>
6 X 40	Each	<b>PV640</b>
6 X 60	Each	<b>PV660</b>
8 X 16	Each	<b>PV816</b>

SIZE	PACK QTY	PART NUMBER
8 X 20	Each	<b>PV820</b>
8 X 25	Each	<b>PV825</b>
8 X 30	Each	<b>PV830</b>
8 X 35	Each	<b>PV835</b>
8 X 40	Each	<b>PV840</b>
10 X 30	Each	<b>PV1030</b>
10 X 50	Each	<b>PV1050</b>
10 X 60	Each	<b>PV1060</b>
10 X 70	Each	<b>PV1070</b>



### Assortment box of Machine Screws (DIN 84)

DESCRIPTION			PART NUMBER
Assortment box of Machine Screws. Contains the following:			<b>NO11</b>
60 of 3 x 25	40 of 4 x 30	30 of 5 x 30	
40 of 3 x 40	40 of 4 x 50	30 of 5 x 40	
40 of 4 x 20	40 of 5 x 20	30 of 6 x 25	
40 of 4 x 25	40 of 5 x 25	25 of 6 x 40	

## Cylindrical PHILLIPS Head Chip Board Screws

Supplied in PACK quantities.



SIZE mm	PACK QTY	PART NUMBER
3 x 17	200	SPL317
3 x 25	200	SPL325
3.5 x 17	200	SPL3517
3.5 x 20	200	SPL3520
3.5 x 30	200	SPL3530
4 x 20	200	SPL420
4 x 25	200	SPL425
4 x 30	200	SPL430
4 x 40	200	SPL440
4 x 50	200	SPL450
4.5 x 16	200	SPL4516

SIZE mm	PACK QTY	PART NUMBER
4.5 x 25	200	SPL4525
4.5 x 30	200	SPL4530
4.5 x 40	200	SPL4540
4.5 x 50	200	SPL4550
5 x 17	200	SPL517
5 x 20	200	SPL520
5 x 30	200	SPL530
5 x 40	200	SPL540
5 x 50	200	SPL550
5 x 60	200	SPL560

## Countersunk Head Chip Board Screws

Supplied in PACK quantities.



Also available in Stainless Steel  
Just add RVS to the  
Part Number

e.g. **SPS2516RVS**

SIZE mm	PACK QTY	PART NUMBER
2.5 x 16	200	SPS2516
2.5 x 25	200	SPS2525
3 x 13	200	SPS313
3 x 16	200	SPS316
3 x 20	200	SPS320
3 x 25	200	SPS325
3 x 30	200	SPS330
3 x 35	200	SPS335
3 x 40	200	SPS340
3.5 x 13	200	SPS3513
3.5 x 17	200	SPS3517
3.5 x 20	200	SPS3520
3.5 x 25	200	SPS3525
3.5 x 30	200	SPS3530
3.5 x 35	200	SPS3535
3.5 x 40	200	SPS3540
4 x 16	200	SPS416
4 x 20	200	SPS420
4 x 25	200	SPS425
4 x 30	200	SPS430
4 x 35	200	SPS435
4 x 40	200	SPS440
4 x 45	200	SPS445
4 x 50	200	SPS450
4 x 60	200	SPS460
4 x 70	200	SPS470
4.5 x 16	200	SPS4516
4.5 x 20	200	SPS4520
4.5 x 25	200	SPS4525
4.5 x 30	200	SPS4530
4.5 x 35	200	SPS4535

SIZE mm	PACK QTY	PART NUMBER
4.5 x 40	200	SPS4540
4.5 x 45	200	SPS4545
4.5 x 50	200	SPS4550
4.5 x 60	200	SPS4560
4.5 x 70	200	SPS4570
4.5 x 80	200	SPS4580
5 x 20	200	SPS520
5 x 25	200	SPS525
5 x 30	200	SPS530
5 x 40	200	SPS540
5 x 50	200	SPS550
5 x 60	200	SPS560
5 x 70	200	SPS570
5 x 80	200	SPS580
5 x 90	200	SPS590
5 x 100	200	SPS5100
6 x 30	200	SPS630
6 x 35	200	SPS635
6 x 40	200	SPS640
6 x 45	200	SPS645
6 x 50	200	SPS650
6 x 60	200	SPS660
6 x 70	200	SPS670
6 x 80	200	SPS680
6 x 90	200	SPS690
6 x 100	200	SPS6100
6 x 120	200	SPS6120
6 x 130	200	SPS6130
6 x 140	200	SPS6140
6 x 150	200	SPS6150

**TORX Head Chip Board Screws**

Supplied in PACK quantities.



SIZE mm	PACK QTY	PART NUMBER
3 x 12	200	SPST312
3 x 16	200	SPST316
3 x 20	200	SPST320
3.5 x 16	200	SPST3516
4 x 16	200	SPST416
4 x 50	200	SPST450
4 x 60	200	SPST460
4.5 x 25	200	SPST4525
4.5 x 30	200	SPST4530
4.5 x 35	200	SPST4535
4.5 x 40	200	SPST4540
4.5 x 45	200	SPST4545
4.5 x 50	200	SPST4550
4.5 x 60	200	SPST4560
5 x 30	200	SPST530
5 x 35	200	SPST535

SIZE mm	PACK QTY	PART NUMBER
5 x 40	200	SPST540
5 x 45	200	SPST545
5 x 70	200	SPST570
5 x 80	100	SPST580
5 x 90	100	SPST590
5 x 100	100	SPST5100
6 x 40	100	SPST640
6 x 45	100	SPST645
6 x 70	100	SPST670
6 x 80	100	SPST680
6 x 90	100	SPST690
6 x 100	100	SPST6100
6 x 120	100	SPST6120
6 x 140	100	SPST6140
6 x 160	100	SPST6160

**Assortment box of Self Tapping Screws**

DESCRIPTION	PART NUMBER
Assortment box of Self Tapping Screws 530 pieces from 2.9 x 9.5 to 5.5 x 25 mm	NO12

**Wall Plugs**

Supplied in PACK quantities.



PL TYPE



SX TYPE



UX TYPE

SIZE	PACK QTY	PL PART NUMBER	PACK QTY	SX PART NUMBER	PACK QTY	UX PART NUMBER
5 mm	100	PL5	100	SX5		
6 mm	100	PL6	100	SX6	100	UX6
6 x 50 mm	100					UX6L
6 mm with collar	100					UX6R
8 mm	100	PL8	100	SX8	100	UX8
8 mm with collar	100					UX8R
10 mm	50	PL10	50	SX10		
10 mm with collar	50					UX10R
12 mm	25	PL12	25	SX12		UX12
14 mm	20	PL14	20	SX14		UX14
16 mm			20	SX16		

**Steel Washer (DIN 125A)**

Supplied in PACK quantities.



Part numbers marked in **Red** are also available in **BLACK**  
Just place B after the Part Number

e.g. **M4DIN125AB**

SIZE	PACK QTY	PART NUMBER	PACK QTY	STAINLESS STEEL PART NUMBER
M3	100	M3DIN125A	50	M3RVS125A
M4	100	M4DIN125A	50	M4RVS125A
M5	100	M5DIN125A	50	M5RVS125A
M6	100	M6DIN125A	50	M6RVS125A
M7	100	M7DIN125A	50	M7RVS125A
M8	100	M8DIN125A	50	M8RVS125A
M10	100	M10DIN125A	50	M10RVS125A
M12	100	M12DIN125A	50	M12RVS125A
M14	100	M14DIN125A	25	M14RVS125A
M16	50	M16DIN125A	25	M16RVS125A
M18	50	M18DIN125A	25	M18RVS125A
M20	25	M20DIN125A	25	M20RVS125A
M22	25	M22DIN125A	25	M22RVS125A
M24	25	M24DIN125A	25	M24RVS125A
M27	25	M27DIN125A	10	M27RVS125A
M30	25	M30DIN125A	10	M30RVS125A
M33	25	M33DIN125A	10	M33RVS125A
M36	25	M36DIN125A	10	M36RVS125A
M39	25	M39DIN125A	10	M39RVS125A
M42	25	M42DIN125A	-	-
M45	25	M45DIN125A	5	M45RVS125A
M48	25	M48DIN125A	5	M48RVS125A
M52	25	M52DIN125A	5	M52RVS125A
M56	25	M56DIN125A	-	-
M60	25	M60DIN125A	-	-

**Nylon Washer (DIN 125N)**

Supplied in PACK quantities.



SIZE	PACK QTY	PART NUMBER
M6	100	M6DIN125N
M8	100	M8DIN125N
M10	100	M10DIN125N

SIZE	PACK QTY	PART NUMBER
M12	100	M12DIN125N
M16	100	M16DIN125N
M20	50	M20DIN125N

**Spring Washer (DIN 127B)**

Supplied in PACK quantities.



Also available in Stainless Steel  
Just replace DIN with RVS

e.g. **M3RVS127B**

SIZE	PACK QTY	PART NUMBER
M3	100	M3DIN127B
M4	100	M4DIN127B
M5	100	M5DIN127B
M6	100	M6DIN127B
M7	100	M7DIN127B
M8	100	M8DIN127B
M10	100	M10DIN127B
M12	100	M12DIN127B
M14	100	M14DIN127B

SIZE	PACK QTY	PART NUMBER
M16	25	M16DIN127B
M18	25	M18DIN127B
M20	25	M20DIN127B
M22	25	M22DIN127B
M24	25	M24DIN127B
M27	25	M27DIN127B
M30	25	M30DIN127B
7/16"	25	716DIN127B
1/2"	25	12DIN127B

**Large Flat (Coach Bolt) Washer (DIN 9021A)**

Supplied in PACK quantities.



SIZE	DIMENSIONS ID x OD x Depth	PACK QTY	PART NUMBER	PACK QTY	STAINLESS STEEL PART NUMBER
M3		100	M3DIN9021A	50	M3RVS9021A
M4	4.3 x 12 x 1	100	M4DIN9021A	50	M4RVS9021A
M5	5.3 x 15 x 1.2	100	M5DIN9021A	50	M5RVS9021A
M6	6.4 x 18 x 1.6	100	M6DIN9021A	50	M6RVS9021A
M7	7.4 x 22 x 2	100	M7DIN9021A	-	-
M8	8.4 x 24 x 2	100	M8DIN9021A	50	M8RVS9021A
M10	10.5 x 30 x 2.5	100	M10DIN9021A	50	M10RVS9021A
M12	13 x 37 x 3	100	M12DIN9021A	25	M12RVS9021A
M14	15 x 44 x 3	100	M14DIN9021A	25	M14RVS9021A
M16	17 x 50 x 3	50	M16DIN9021A	25	M16RVS9021A
M18	20 x 56 x 4	50	M18DIN9021A	25	M18RVS9021A
M20	22 x 60 x 4	50	M20DIN9021A	25	M20RVS9021A
M24	25 x 65 x 4	25	M24DIN9021A	25	M24RVS9021A
M30	32 x 70 x 4	-	-	10	M30RVS9021A

**Large Flat (Coach Bolt) Washer (DIN 440R)**

Supplied in PACK quantities.



SIZE	DIMENSIONS ID x OD x Depth	PACK QTY	PART NUMBER
M5	5.5 x 18 x 2	25	M5DIN440
M6	6.6 x 22 x 2	25	M6DIN440
M8	9 x 28 x 3	25	M8DIN440
M10	11 x 34 x 3	25	M10DIN440
M12	14 x 45 x 4	25	M12DIN440
M14	-	25	M14DIN440
M16	18 x 58 x 5	25	M16DIN440
M18	22 x 68 x 5	25	M18DIN440
M20	-	25	M20DIN440
M24	-	25	M24DIN440
M30	-	25	M30DIN440

**Large Flat (Coach Bolt) Washer**

Supplied in PACK quantities.



DIMENSIONS ID x OD x Depth	PACK QTY	PART NUMBER	DIMENSIONS ID x OD x Depth	PACK QTY	PART NUMBER
5 x 20 x 1	100	CR520CW	10 x 40	50	CR1040CW
5 x 25	100	CR525CW	10.5 x 50 x 4	25	CR105504CW
6 x 24 x 1.8	100	CR624CW	12 x 30	50	CR1230CW
6 x 27	100	CR627CW	12 x 35	50	CR1235CW
6 x 30 x 1.4	100	CR630CW	12 x 40 x 2.2	50	CR1240CW
6 x 35	100	CR635CW	13 x 50 x 4	25	CR13504CW
8 x 20	100	CR820CW	13 x 60 x 5		CR13605CW
8 x 30 x 1.5	100	CR830CW	14 x 40 x 2.1	25	CR1440CW
8 x 35 x 1.6	100	CR835CW	16 x 40 x 2.3	25	CR1640CW
10 x 30 x 1.6	100	CR1030CW	16 x 45	25	CR1645CW
10 x 35	100	CR1035CW			



### Heavy Type Washer (DIN 7349)

Supplied in PACK quantities.

SIZE	DIMENSIONS ID x OD x Depth	PACK QTY	PART NUMBER	PACK QTY	BLACK PART NUMBER
M6	6.4 x 17 x 3	100	<b>M6DIN7349</b>	100	<b>M6DIN7349B</b>
M8	8.4 x 21 x 4	100	<b>M8DIN7349</b>	-	-
M10	10.5 x 25 x 4	100	<b>M10DIN7349</b>	-	-
M12	13 x 30 x 6	100	<b>M12DIN7349</b>	-	-
M14	15 x 35 x 6	100	<b>M14DIN7349</b>	-	-
M16	17 x 40 x 6	50	<b>M16DIN7349</b>	-	-
M18	19 x 44 x 8	50	<b>M18DIN7349</b>	-	-
M20	21 x 44 x 8	25	<b>M20DIN7349</b>	-	-
M24	25 x 50 x 10	25	<b>M24DIN7349</b>	-	-



### Shake Proof Washer (DIN 6798A)

Supplied in PACK quantities.

Also available in Stainless Steel.  
Just replace DIN with RVS.

e.g. **M4RVS6798A**

SIZE	PACK QTY	PART NUMBER
M4	100	<b>M4DIN6798A</b>
M5	100	<b>M5DIN6798A</b>
M6	100	<b>M6DIN6798A</b>
M8	100	<b>M8DIN6798A</b>
M10	100	<b>M10DIN6798A</b>
M12	100	<b>M12DIN6798A</b>

SIZE	PACK QTY	PART NUMBER
M14	25	<b>M14DIN6798A</b>
M16	25	<b>M16DIN6798A</b>
M18	25	<b>M18DIN6798A</b>
M20	25	<b>M20DIN6798A</b>
M22	25	<b>M22DIN6798A</b>
M24	25	<b>M24DIN6798A</b>



1 Pair Shown

### Nord-Lock Shake Proof Washer

Supplied in PACK quantities.

SIZE	PACK QTY	PART NUMBER
M6	5 pairs	<b>NL6GEL</b>
M8	5 pairs	<b>NL8GEL</b>
M10	5 pairs	<b>NL10GEL</b>
M12	5 pairs	<b>NL12GEL</b>
M14	5 pairs	<b>NL14GEL</b>
M16	5 pairs	<b>NL16GEL</b>
M18	5 pairs	<b>NL18GEL</b>
M20	5 pairs	<b>NL20GEL</b>

SIZE	PACK QTY	PART NUMBER
M22	1 pair	<b>NL22GEL</b>
M24	1 pair	<b>NL24GEL</b>
M27	1 pair	<b>NL27GEL</b>
M30	1 pair	<b>NL30GEL</b>
M33	1 pair	<b>NL33GEL</b>
M36	1 pair	<b>NL36GEL</b>
M39	Each	<b>NL39GEL</b>
M42	Each	<b>NL42GEL</b>



### Conical Spring Washer (DIN 74361)

Supplied in PACK quantities.

SIZE	PACK QTY	PART NUMBER
M10	25	<b>M10DIN74361</b>
M12	25	<b>M12DIN74361</b>
M14	25	<b>M14DIN74361</b>
M16	25	<b>M16DIN74361</b>

SIZE	PACK QTY	PART NUMBER
M18	25	<b>M18DIN74361</b>
M20	25	<b>M20DIN74361</b>
M22	25	<b>M22DIN74361</b>



### Assortment box of Copper Washers

DESCRIPTION				PART NUMBER
Assortment box of Copper Washers. Contains the following:				<b>NO7</b>
30 of 6mm	30 of 16mm	25 of 24mm	10 of 33mm	
30 of 8mm	30 of 18mm	25 of 26mm	10 of 35mm	
30 of 10mm	25 of 20mm	15 of 28mm	-	
30 of 12mm	50 of 21mm	10 of 30mm	-	
30 of 14mm	25 of 22mm	10 of 32mm	-	



### Shims (DIN 988)

Supplied in PACK quantities.

ID	OD	THICKNESS	PACK	PART
mm	mm	mm	QTY	NUMBER
5	10	0.1	25	51001
5	10	0.2	25	51002
5	10	0.3	25	51003
5	10	0.5	25	51005
5	10	1.0	25	51010
6	12	0.1	25	61201
6	12	0.2	25	61202
6	12	0.3	25	61203
6	12	0.5	25	61205
6	12	1.0	25	61210
7	13	0.1	25	71301
7	13	0.2	25	71302
7	13	0.3	25	71303
7	13	0.5	25	71305
7	13	1.0	25	71310
8	14	0.1	25	81401
8	14	0.2	25	81402
8	14	0.3	25	81403
8	14	0.5	25	81405
8	14	1.0	25	81410
9	15	0.1	25	91501
9	15	0.2	25	91502
9	15	0.3	25	91503
9	15	0.5	25	91505
9	15	1.0	25	91510
10	16	0.1	25	101601
10	16	0.2	25	101602
10	16	0.3	25	101603
10	16	0.5	25	101605
10	16	1.0	25	101610
10	20	0.25	25	1020025
10	20	0.5	25	102005
10	20	1.0	25	102010
11	17	0.1	25	111701
11	17	0.2	25	111702
11	17	0.3	25	111703
11	17	0.5	25	111705
11	17	1.0	25	111710
12	18	0.1	25	121801
12	18	0.2	25	121802
12	18	0.3	25	121803
12	18	0.5	25	121805
12	18	1.0	25	121810
12	24	0.25	25	1224025
12	24	0.5	25	122405
12	24	1.0	25	122410
13	19	0.1	25	131901
13	19	0.2	25	131902
13	19	0.3	25	131903
13	19	0.5	25	131905
13	19	1.0	25	131910

ID	OD	THICKNESS	PACK	PART
mm	mm	mm	QTY	NUMBER
14	20	0.1	25	142001
14	20	0.2	25	142002
14	20	0.3	25	142003
14	20	0.5	25	142005
14	20	1.0	25	142010
14	24	0.25	25	1424025
14	24	0.5	25	142405
14	24	1.0	25	142410
15	22	0.1	25	152201
15	22	0.2	25	152202
15	22	0.3	25	152203
15	22	0.5	25	152205
15	22	1.0	25	152210
16	22	0.1	25	162201
16	22	0.2	25	162202
16	22	0.3	25	162203
16	22	0.5	25	162205
16	22	1.0	25	162210
16	26	0.25	25	1626025
16	26	0.5	25	162605
16	26	1.0	25	162610
17	24	0.1	25	172401
17	24	0.2	25	172402
17	24	0.3	25	172403
17	24	0.5	25	172405
17	24	1.0	25	172410
18	25	0.1	25	182501
18	25	0.2	25	182502
18	25	0.3	25	182503
18	25	0.5	25	182505
18	25	1.0	25	182510
18	30	0.25	25	1830025
18	30	0.5	25	183005
18	30	1.0	25	183010
19	26	0.1	25	192601
19	26	0.2	25	192602
19	26	0.3	25	192603
19	26	0.5	25	192605
19	26	1.0	25	192610
20	28	0.1	25	202801
20	28	0.2	25	202802
20	28	0.3	25	202803
20	28	0.5	25	202805
20	28	1.0	25	202810
20	32	0.25	25	2032025
20	32	0.5	25	203205
20	32	1.0	25	203210
22	30	0.5	25	223005
22	30	1.0	25	223010
22	32	0.25	25	2232025
22	32	0.5	25	223205
22	32	1.0	25	223210
24	34	0.25	Each	2434025
24	34	0.5	25	243405
24	34	1.0	25	243410
25	35	0.1	25	253501
25	35	0.2	25	253502
25	35	0.3	25	253503
25	35	0.5	25	253505

Continued on the next page . . .

Continued . . .

**Shims (DIN 988)**

Supplied in PACK quantities.

ID mm	OD mm	THICKNESS mm	PACK QTY	PART NUMBER
25	35	1.0	25	253510
25	35	2.0	25	253520
26	36	0.25	25	2636025
26	36	0.5	25	263605
26	36	1.0	25	263610
28	38	0.25	25	2838025
28	38	0.5	25	283805
28	38	1.0	25	283810
30	40	0.25	25	3040025
30	40	0.5	25	304005
30	40	1.0	25	304010
30	42	0.1	25	304201
30	42	0.2	25	304202
30	42	0.3	25	304203
30	42	0.5	25	304205
30	42	1.0	25	304210
32	52	0.25	25	3252025
32	52	0.5	25	325205
32	52	1.0	25	325210
35	45	0.1	25	354501
35	45	0.2	25	354502
35	45	0.3	25	354503
35	45	0.5	25	354505
35	45	1.0	25	354510
36	56	0.25	25	3656025
36	56	0.5	25	365605
36	56	1.0	25	365610
40	50	0.1	25	405001
40	50	0.2	25	405002
40	50	0.3	25	405003
40	50	0.5	25	405005
40	50	1.0	25	405010
40	60	0.25	25	4060025
40	60	0.5	25	406005
40	60	1.0	25	406010SH

ID mm	OD mm	THICKNESS mm	PACK QTY	PART NUMBER
45	55	0.1	25	455501
45	55	0.2	25	455502
45	55	0.3	25	455503
45	55	0.5	25	455505
45	55	1.0	25	455510
45	55	2.0	25	455520
45	55	3.0	25	455530
50	62	0.1	25	506201
50	62	0.2	25	506202
50	62	0.3	25	506203
50	62	0.5	25	506205
50	62	1.0	25	506210
56	72	0.1	25	567201
56	72	0.3	25	567203
56	72	0.5	25	567205
56	72	1.0	25	567210
60	75	0.2	25	607502
60	75	0.3	25	607503
60	75	0.5	25	607505
60	75	1.0	25	607510
60	75	2.0	Each	607520
65	85	0.1	25	658501
65	85	0.3	25	658503
70	90	0.1	25	709001
70	90	0.3	25	709003
70	90	0.5	25	709005
70	90	1.0	25	709010
70	90	2.0	Each	709020
75	95	0.1	25	759501
75	95	0.3	25	759503
75	95	0.5	25	759505
80	100	0.1	Each	8010001
80	100	0.3	Each	8010003
80	100	0.5	25	8010005
80	100	1.0	25	8010010
90	110	0.5	25	9011005
90	110	1.0	25	9011010
90	110	2.0	Each	9011020

**Assortment packs of Shims - Small**

DESCRIPTION			PART NUMBER
Assortment pack of Shims, Contains the following:			SE9881
25 of 1020025	25 of 1424025	25 of 1830025	
25 of 102005	25 of 142505	25 of 183005	
10 of 102010	25 of 142410	20 of 183010	
25 of 1224025	25 of 1626025	25 of 2032025	
25 of 122405	25 of 162605	25 of 203205	
25 of 122410	25 of 162610	20 of 203210	

**Assortment packs of Shims - Large**

DESCRIPTION			PART NUMBER
Assortment pack of Shims, Contains the following:			SE9882
5 of 2232025	20 of 263610	25 of 325205	
25 of 223210	20 of 2836025	20 of 325210	
20 of 223210	20 of 283605	25 of 3656025	
25 of 2434025	20 of 283610	25 of 365605	
25 of 2434050	25 of 3040025	20 of 365610	
25 of 243410	25 of 304005	25 of 4060025	
25 of 2636025	20 of 304010	25 of 406005	
25 of 2636050	25 of 3252025	20 of 406010	



**'O' Rings**

Supplied in Bags of 10.

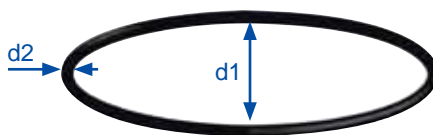
d2 mm	d1 mm	PART NUMBER
1.0	3	13OR
1.0	6	16OR
1.0	9	19OR
1.0	10	110OR
1.0	16	116OR
1.50	1.5	1501.5OR
1.50	3	1503OR
1.50	4	1504OR
1.50	5	1505OR
1.50	6	1506OR
1.50	7	1507OR
1.50	7.5	1507.5OR
1.50	8	1508OR
1.50	9	1509OR
1.50	9.8	1509.8OR
1.50	10	15010OR
1.50	11	15011OR
1.50	12	15012OR
1.50	13	15013OR
1.50	14	15014OR
1.50	15	15015OR
1.50	17	15017OR
1.50	18	15018OR
1.50	20	15020OR
1.50	22.50	15022.5OR
1.60	6.1	16061OR
1.60	7.1	16071OR
1.60	12.1	160121OR
1.60	13.1	160131OR
1.78	1.78	178178OR
1.78	2.57	178257OR
1.78	2.9	17829OR
1.78	3.17	178317OR
1.78	3.69	178369OR
1.78	4.48	178448OR
1.78	5.28	178528OR
1.78	6.07	178607OR
1.78	6.35	178635OR
1.78	6.75	178675OR
1.78	7.66	178766OR
1.78	7.94	178794OR
1.78	8.73	178873OR
1.78	9.25	178925OR
1.78	10.82	1781082OR
1.78	11.11	1781111OR
1.78	12.42	1781242OR
1.78	14	17814OR
1.78	15.6	178156OR
1.78	17.16	1781716OR
1.78	18.70	1781870OR
1.78	20.35	1782035OR

d2 mm	d1 mm	PART NUMBER
1.78	21.95	1782195OR
1.78	23.53	1782353OR
1.78	25.12	1782512OR
1.78	26.7	178267OR
1.78	28.3	178283OR
1.78	29.87	1782987OR
1.78	31.47	1783147OR
1.78	33.05	1783305OR
1.78	34.65	1783465OR
1.78	36.27	1783627OR
1.78	37.82	1783782OR
1.78	39.34	1783934OR
1.78	41	17841OR
1.78	44.17	1784417OR
1.78	47.37	1784737OR
1.78	50.52	1785052OR
1.78	53.67	1785367OR
1.78	56.87	1785687OR
1.78	60.04	1786004OR
1.78	63.22	1786322OR
1.78	66.4	178664OR
1.78	69.57	1786957OR
1.78	72.76	1787276OR
1.78	75.44	1787544OR
1.78	82.28	1788228OR
1.78	88.64	1788864OR
1.78	95	17895OR
1.78	133.07	17813307OR
2.0	4	24OR
2.0	5	25OR
2.0	5.5	25.5OR
2.0	6	26OR
2.0	7	27OR
2.0	8	28OR
2.0	9	29OR
2.0	10	210OR
2.0	10.5	210.5OR
2.0	11	211OR
2.0	12	212OR
2.0	13	213OR
2.0	14	214OR
2.0	15	215OR
2.0	16	216OR
2.0	17	217OR
2.0	18	218OR
2.0	19	219OR
2.0	20	220OR
2.0	21	221OR
2.0	22	222OR
2.0	23	223OR
2.0	24	224OR

d2 mm	d1 mm	PART NUMBER
2.0	25	225OR
2.0	26	226OR
2.0	27	227OR
2.0	28	228OR
2.0	29	229OR
2.0	30	230OR
2.0	31	231OR
2.0	32	232OR
2.0	33	233OR
2.0	34	234OR
2.0	35	235OR
2.0	36	236OR
2.0	37	237OR
2.0	38	238OR
2.0	40	240OR
2.0	42	242OR
2.0	43	243OR
2.0	44	244OR
2.0	45	245OR
2.0	46	246OR
2.0	47	247OR
2.0	50	250OR
2.0	54	254OR
2.0	55	255OR
2.0	56	256OR
2.0	58	258OR
2.0	64.5	264.5OR
2.0	68	268OR
2.0	70	270OR
2.0	74	274OR
2.0	80	280OR
2.0	85	285OR
2.0	86	286OR
2.0	90	290OR
2.0	140	2140OR
2.40	3.3	24033OR
2.40	4.3	24043OR
2.40	5.3	24053OR
2.40	6.3	24063OR
2.40	7.3	24073OR
2.40	8.3	24083OR
2.40	9.3	24093OR
2.40	10.3	240103OR
2.40	11.3	240113OR
2.40	11.8	240118OR
2.40	12.3	240123OR
2.40	13.3	240133OR
2.40	14.3	240143OR
2.40	15.3	240153OR
2.40	16.3	240163OR
2.40	17.3	240173OR

d2 mm	d1 mm	PART NUMBER
2.40	18.3	240183OR
2.40	19.3	240193OR
2.40	20.3	240203OR
2.40	21.3	240213OR
2.40	23.3	240233OR
2.40	25.3	240253OR
2.40	27.3	240273OR
2.40	30.3	240303OR
2.40	33.3	240333OR
2.40	34.6	240346OR
2.50	5	2505OR
2.50	6	2506OR
2.50	7	2507OR
2.50	8	2508OR
2.50	9	2509OR
2.50	10	25010OR
2.50	11	25011OR
2.50	12	25012OR
2.50	13	25013OR
2.50	14	25014OR
2.50	15	25015OR
2.50	15.5	250155OR
2.50	16	25016OR
2.50	17	25017OR
2.50	18	25018OR
2.50	19	25019OR
2.50	20	25020OR
2.50	21	25021OR
2.50	23	25023OR
2.50	24	25024OR
2.50	25	25025OR
2.50	27	25027OR
2.50	28	25028OR
2.50	30	25030OR
2.50	31	25031OR
2.50	32	25032OR
2.50	33	25033OR
2.50	35	25035OR
2.50	36	25036OR
2.50	37	25037OR
2.50	38	25038OR
2.50	39	25039OR
2.50	40	25040OR
2.50	44	25044OR
2.50	45	25045OR
2.50	46	25046OR
2.50	49	25049OR
2.50	50	25050OR
2.50	55	25055OR
2.50	60	25060OR
2.50	63	25063OR

Continued on the next page . . .



Continued . . .

## 'O' Rings

Supplied in Bags of 10.

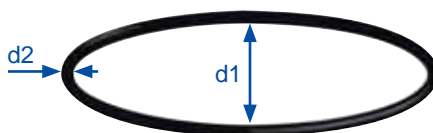
d2 mm	d1 mm	PART NUMBER
2.50	64	25064OR
2.50	65	25065OR
2.50	70	25070OR
2.50	75	25075OR
2.50	76	25076OR
2.50	85	25085OR
2.50	95	25095OR
2.60	13	26013OR
2.62	6.02	262602OR
2.62	9.19	262919OR
2.62	9.92	262992OR
2.62	10.78	2621078OR
2.62	11.91	2621191OR
2.62	12.37	2621237OR
2.62	12.7	262127OR
2.62	13.10	2621310OR
2.62	13.95	2621395OR
2.62	15.08	2621508OR
2.62	15.54	2621554OR
2.62	15.88	2621588OR
2.62	17.13	2621713OR
2.62	17.86	2621786OR
2.62	18.72	2621872OR
2.62	20.29	2622029OR
2.62	20.63	2622063OR
2.62	21.89	2622189OR
2.62	22.22	2622222OR
2.62	23.47	2622347OR
2.62	23.81	2622381OR
2.62	25.07	2622507OR
2.62	26.64	2622664OR
2.62	28.24	2622824OR
2.62	29.82	2622982OR
2.62	31.42	2623142OR
2.62	33	26233OR
2.62	34.59	2623459OR
2.62	36.17	2623617OR
2.62	37.77	2623777OR
2.62	39.34	2623934OR
2.62	40.95	2624095OR
2.62	42.52	2624252OR
2.62	44.12	2624412OR
2.62	45.69	2624569OR
2.62	47.29	2624729OR
2.62	48.9	262489OR
2.62	50.47	2625047OR
2.62	52.07	2625207OR
2.62	53.64	2625364OR
2.62	55.25	2625525OR
2.62	56.82	2625682OR
2.62	58.42	2625842OR

d2 mm	d1 mm	PART NUMBER
2.62	60	26260OR
2.62	61.6	262616OR
2.62	63.17	2626317OR
2.62	64.77	2626477OR
2.62	66.34	2626634OR
2.62	67.95	2626795OR
2.62	69.52	2626952OR
2.62	71.12	2627112OR
2.62	72.7	262727OR
2.62	74.3	262743OR
2.62	75.88	2627588OR
2.62	80.6	262806OR
2.62	82.22	2628222OR
2.62	83.8	262838OR
2.62	88.58	2628858OR
2.62	94.93	2629493OR
2.62	101.28	26210128OR
2.62	106	262106OR
2.62	107.63	26210763OR
2.62	120.33	26212033OR
2.62	126.67	26212667OR
2.62	137	262137OR
2.62	152.07	26215207OR
2.62	158.41	26215841OR
2.62	177.47	26217747OR
2.62	196.53	26219653OR
3.0	4	34OR
3.0	5	35OR
3.0	6	36OR
3.0	8	38OR
3.0	9	39OR
3.0	10	310OR
3.0	12	312OR
3.0	14	314OR
3.0	15	315OR
3.0	16	316OR
3.0	17	317OR
3.0	18	318OR
3.0	19.20	31920OR
3.0	20.20	32020OR
3.0	21.20	32120OR
3.0	21.5	3215OR
3.0	22.20	32220OR
3.0	23	323OR
3.0	24.2	3242OR
3.0	25	325OR
3.0	26	326OR
3.0	27	327OR
3.0	28.20	32820OR
3.0	29	329OR
3.0	30	330OR

d2 mm	d1 mm	PART NUMBER
3.0	31	331OR
3.0	31.5	3315OR
3.0	32	332OR
3.0	33	333OR
3.0	34	334OR
3.0	34.5	3345OR
3.0	35	335OR
3.0	36	336OR
3.0	37	337OR
3.0	38	338OR
3.0	39	339OR
3.0	40	340OR
3.0	41	341OR
3.0	42	342OR
3.0	43	343OR
3.0	44	344OR
3.0	45	345OR
3.0	46.20	34620OR
3.0	47	347OR
3.0	48	348OR
3.0	49.5	3495OR
3.0	50.50	35050OR
3.0	52	352OR
3.0	53	353OR
3.0	54.5	3545OR
3.0	55	355OR
3.0	55.5	3555OR
3.0	56	356OR
3.0	57	357OR
3.0	58	358OR
3.0	59.50	35950OR
3.0	60.2	3602OR
3.0	62	362OR
3.0	64	364OR
3.0	64.50	36450OR
3.0	66	366OR
3.0	68	368OR
3.0	69.5	3695OR
3.0	72	372OR
3.0	74	374OR
3.0	74.5	3745OR
3.0	78	378OR
3.0	79.5	3795OR
3.0	82	382OR
3.0	83	383OR
3.0	84.5	3845OR
3.0	87	387OR
3.0	88	388OR
3.0	89.5	3895OR
3.0	94.5	3945OR
3.0	96	396OR

d2 mm	d1 mm	PART NUMBER
3.0	106	3106OR
3.0	107	3107OR
3.0	112	3112OR
3.0	119.5	31195OR
3.0	129.5	31295OR
3.0	136	3136OR
3.0	139.5	31395OR
3.0	150	3150OR
3.0	154	3154OR
3.0	160	3160OR
3.0	200	3200OR
3.0	203	3203OR
3.0	225	3225OR
3.20	25	32025OR
3.50	16	35016OR
3.50	18	35018OR
3.50	20	35020OR
3.50	22	35022OR
3.50	25	35025OR
3.50	28	35028OR
3.50	32	35032OR
3.50	33	35033OR
3.50	35	35035OR
3.50	55	35055OR
3.50	59	35059OR
3.50	63	35063OR
3.50	75	35075OR
3.50	77	35077OR
3.50	83	35083OR
3.50	119	350119OR
3.50	170	350170OR
3.53	10.69	3531069OR
3.53	18.64	3531864OR
3.53	20.22	3532022OR
3.53	21.82	3532182OR
3.53	23.42	3532342OR
3.53	24.99	3532499OR
3.53	25.8	353258OR
3.53	26.58	3532658OR
3.53	28.17	3532817OR
3.53	29.75	3532975OR
3.53	31.34	3533134OR
3.53	32.93	3533293OR
3.53	34.52	3533452OR
3.53	36.1	353361OR
3.53	38	35338OR
3.53	39.69	3533969OR
3.53	40.87	3534087OR
3.53	41.28	3534128OR
3.53	42.86	3534286OR
3.53	44.04	3534404OR

Continued on the next page . . .



Continued . . .

'O' Rings

Supplied in Bags of 10.

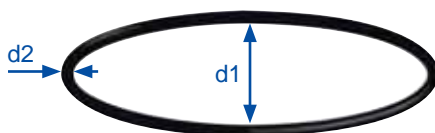
d2 mm	d1 mm	PART NUMBER
3.53	44.05	3534405OR
3.53	44.45	3534445OR
3.53	46.04	3534604OR
3.53	47.22	3534722OR
3.53	49.21	3534921OR
3.53	50.4	353504OR
3.53	50.8	353508OR
3.53	52.39	3535239OR
3.53	53.57	3535357OR
3.53	53.98	3535398OR
3.53	55.56	3535556OR
3.53	56.75	3535675OR
3.53	57.15	3535715OR
3.53	58.75	3535875OR
3.53	59.92	3535992OR
3.53	60.33	3536033OR
3.53	61.91	3536191OR
3.53	63.1	353631OR
3.53	65.09	3536509OR
3.53	66.27	3536627OR
3.53	68.26	3536826OR
3.53	69.44	3536944OR
3.53	69.85	3536985OR
3.53	71.44	3537144OR
3.53	72.62	3537262OR
3.53	73.04	3537304OR
3.53	74.60	3537460OR
3.53	75.82	3537582OR
3.53	78.97	3537897OR
3.53	82.14	3538214OR
3.53	85.32	3538532OR
3.53	88.49	3538849OR
3.53	91.67	3539167OR
3.53	94.84	3539484OR
3.53	98.02	3539802OR
3.53	101.19	35310119OR
3.53	104.37	35310437OR
3.53	110.72	35311072OR
3.53	113.89	35311389OR
3.53	113.9	3531139OR
3.53	117.07	35311707OR
3.53	120.24	35312024OR
3.53	120.25	35312025OR
3.53	123.40	35312340OR
3.53	126.60	35312660OR
3.53	129.80	35312980OR
3.53	132.90	35313290OR
3.53	136.10	35313610OR
3.53	139.30	35313930OR
3.53	142.50	35314250OR
3.53	145.60	35314564OR

d2 mm	d1 mm	PART NUMBER
3.53	148.62	35314862OR
3.53	158.34	35315834OR
3.53	180	353180OR
3.53	201	353201OR
4.0	8	48OR
4.0	9	49OR
4.0	10	410OR
4.0	11	411OR
4.0	12	412OR
4.0	14	414OR
4.0	15	415OR
4.0	16	416OR
4.0	17	417OR
4.0	18	418OR
4.0	19	419OR
4.0	20	420OR
4.0	24	424OR
4.0	25	425OR
4.0	30	430OR
4.0	32	432OR
4.0	33	433OR
4.0	34	434OR
4.0	35	435OR
4.0	36	436OR
4.0	37	437OR
4.0	38	438OR
4.0	40	440OR
4.0	41	441OR
4.0	42	442OR
4.0	43	443OR
4.0	44	444OR
4.0	45	445OR
4.0	47	447OR
4.0	48	448OR
4.0	49	449OR
4.0	50	450OR
4.0	52	452OR
4.0	54	454OR
4.0	55	455OR
4.0	57	457OR
4.0	58	458OR
4.0	59	459OR
4.0	60	460OR
4.0	62	462OR
4.0	63	463OR
4.0	64	464OR
4.0	65	465OR
4.0	66	466OR
4.0	67	467OR
4.0	68	468OR
4.0	70	470OR

d2 mm	d1 mm	PART NUMBER
4.0	72	472OR
4.0	73	473OR
4.0	74	474OR
4.0	75	475OR
4.0	76	476OR
4.0	78	478OR
4.0	80	480OR
4.0	82	482OR
4.0	85	485OR
4.0	90	490OR
4.0	92	492OR
4.0	94	494OR
4.0	98	498OR
4.0	110	4110OR
4.0	120	4120OR
4.0	135	4135OR
4.0	140	4140OR
4.0	142	4142OR
4.0	160	4160OR
4.0	166	4166OR
5.0	15	515OR
5.0	16	516OR
5.0	17	517OR
5.0	19	519OR
5.0	20	520OR
5.0	22	522OR
5.0	23	523OR
5.0	25	525OR
5.0	26	526OR
5.0	30	530OR
5.0	32	532OR
5.0	35	535OR
5.0	40	540OR
5.0	45	545OR
5.0	50	550OR
5.0	54	554OR
5.0	55	555OR
5.0	60	560OR
5.0	65	565OR
5.0	70	570OR
5.0	72	572OR
5.0	73	573OR
5.0	75	575OR
5.0	78	578OR
5.0	80	580OR
5.0	85	585OR
5.0	90	590OR
5.0	92	592OR
5.0	95	595OR
5.0	100	5100OR
5.0	108	5108OR

d2 mm	d1 mm	PART NUMBER
5.0	130	5130OR
5.0	150	5150OR
5.0	160	5160OR
5.0	400	5400OR
5.33	37.47	5333747OR
5.33	40.65	5334065OR
5.33	43.82	5334382OR
5.33	46.99	5334699OR
5.33	50.16	5335016OR
5.33	53.34	5335334OR
5.33	56.52	5335652OR
5.33	59.69	5335969OR
5.33	62.87	5336287OR
5.33	66.04	5336604OR
5.33	69.22	5336922OR
5.33	72.39	5337239OR
5.33	74.63	5337463OR
5.33	75.57	5337557OR
5.33	78.74	5337874OR
5.33	79.77	5337977OR
5.33	81.92	5338192OR
5.33	85.09	5338509OR
5.33	88.27	5338827OR
5.33	94.62	5339462OR
5.33	100	533100OR
5.33	100.97	53310097OR
5.33	104.14	53310414OR
5.33	107.32	53310732OR
5.33	109.05	53310905OR
5.33	110.05	53311005OR
5.33	113.67	53311367OR
5.33	116.84	53311684OR
5.33	117.5	5331175OR
5.33	120.7	5331207OR
5.33	123.80	53312380OR
5.33	132.72	53313272OR
5.33	133.4	5331334OR
5.33	135.9	5331359OR
5.33	136.5	5331365OR
5.33	139.07	53313907OR
5.33	139.7	5331397OR
5.33	142.24	53314224OR
5.33	145.42	53314542OR
5.33	146.1	5331461OR
5.33	148.49	53314849OR
5.33	151.77	53315177OR
5.33	158.12	53315812OR
5.33	167.7	5331677OR
5.33	170.82	53317082OR
5.33	189.87	53318987OR
5.5	70	5570OR

Continued on the next page . . .



Continued . . .

**'O' Rings**

Supplied in Bags of 10.

d2 mm	d1 mm	PART NUMBER
5.70	35.2	570352OR
5.70	36.2	570362OR
5.70	37.2	570372OR
5.70	39.2	570392OR
5.70	41.2	570412OR
5.70	44.2	570442OR
5.70	45.2	570452OR
5.70	47.2	570472OR
5.70	49.2	570492OR
5.70	51.2	570512OR
5.70	52.3	570523OR
5.70	54.2	570542OR
5.70	55	57055OR
5.70	59.2	570592OR
5.70	61.2	570612OR
5.70	62.20	5706220OR
5.70	64.2	570642OR
5.70	67.2	570672OR
5.70	69.2	570692OR
5.70	71.2	570712OR
5.70	72.2	570722OR
5.70	74.2	570742OR
5.70	77.2	570772OR

d2 mm	d1 mm	PART NUMBER
5.70	79.2	570792OR
5.70	81.2	570812OR
5.70	82.2	570822OR
5.70	84.20	5708420OR
5.70	87.2	570872OR
5.70	89.20	5708920OR
5.70	91.2	570912OR
5.70	92.2	570922OR
5.70	94.20	5709420OR
5.70	97.2	570972OR
5.70	99.20	5709920OR
5.70	101.2	5701012OR
5.70	104.20	57010420OR
5.70	109.20	57010920OR
5.70	114.20	57011420OR
5.70	119.20	57011920OR
5.70	124.20	57012420OR
5.70	129.20	57012920OR
5.70	131.2	5701312OR
5.70	134.20	57013420OR
5.70	139.3	5701393OR
5.70	149.3	5701493OR
5.70	154.20	57015420OR

d2 mm	d1 mm	PART NUMBER
5.70	159.20	57015920OR
5.70	169.20	57016920OR
5.70	174.20	57017420OR
5.70	179.20	57017920OR
5.70	184.20	57018420OR
5.70	189.20	57018920OR
5.70	194.20	57019420OR
5.70	199.20	57019920OR
5.70	204.20	57020420OR
6.0	48	648OR
6.0	50	650OR
6.0	90	690OR
6.0	100	6100OR
6.99	113.7	6991137OR
6.99	114.7	6991147OR
6.99	120	699120OR
6.99	123.2	6991232OR
6.99	126.4	6991264OR
6.99	129.50	69912950OR
6.99	132.7	6991327OR
6.99	134.5	6991345OR
6.99	135.9	6991359OR
6.99	139.1	6991391OR

d2 mm	d1 mm	PART NUMBER
6.99	142.2	6991422OR
6.99	145.20	69914520OR
6.99	148.6	6991486OR
6.99	151.8	6991518OR
6.99	155.6	6991556OR
6.99	158.1	6991581OR
6.99	159.5	6991595OR
6.99	161.9	6991619OR
6.99	164.5	6991645OR
6.99	166.7	6991667OR
6.99	168.30	69916830OR
6.99	174.6	6991746OR
6.99	177.2	6991772OR
6.99	181	699181OR
6.99	189.9	6991899OR
6.99	193.7	6991937OR
6.99	196.2	6991962OR
6.99	202.6	6992026OR
6.99	208.9	6992089OR
6.99	227.97	69922797OR
7.0	70	770OR
8.0	60	860OR

**'O' Ring Rubber**

Sold per METRE.



SIZE mm	PART NUMBER
1.78	1781000OR
2	2001000OR
2.40	2401000OR
2.62	2621000OR
3	3001000OR
3.53	3531000OR
4	4001000OR
5	5001000OR

SIZE mm	PART NUMBER
5.33	5331000OR
5.70	5701000OR
6	6001000OR
6.99	6991000OR
8	8001000OR
10	10001000OR
16	16001000OR

**'O' Ring Rubber Assortment Box**

Round O-Ring DIY Kit.



DESCRIPTION					PART NUMBER
Assortment box of 'O' Ring Rubber - Din 472					SE8004
Contains the following:					
Thickness Gauge					
Adhesive					
2 Metre long round cords of:					
Ø 1.78	Ø 2.0	Ø 2.4	Ø 2.62	Ø 3.0	
Ø 3.5	Ø 4.0	Ø 4.5	Ø 5.0	Ø 5.34	
Ø 5.7	Ø 6.0	Ø 7.0	Ø 8.0		



## Assortment box of 'O' Rings - A

DESCRIPTION			PART NUMBER
Assortment box of 'O' Rings - 330 pieces. Contains the following:			NO5OR
20 of 1.78x2.9	10 of 1.78x15.6	5 of 2.62x20.29	
20 of 1.78x3.69	5 of 1.78x17.17	5 of 2.62x21.89	
20 of 1.78x4.48	5 of 1.78x18.77	5 of 2.62x23.47	
20 of 1.78x5.28	15 of 2.62x9.19	5 of 3.53x18.64	
20 of 1.78x6.07	15 of 2.62x12.37	5 of 3.53x20.22	
20 of 1.78x7.66	5 of 2.62x12.37	5 of 3.53x21.82	
20 of 1.78x9.25	5 of 2.62x13.95	5 of 3.53x23.40	
15 of 1.78x10.82	10 of 2.62x15.54	5 of 3.53x24.99	
15 of 1.78x12.42	10 of 2.62x17.13	5 of 3.53x26.58	
20 of 1.78x14	10 of 2.62x18.72	5 of 3.53x28.17	



## Assortment box of 'O' Rings - B

DESCRIPTION			PART NUMBER
Assortment box of 'O' Rings - 275 pieces. Contains the following:			NO6OR
15 of 1.78x20.35	10 of 3.53x34.59	10 of 3.53x44.04	
15 of 1.78x21.95	15 of 3.53x29.75	10 of 3.53x42.27	
15 of 2.62x25.07	15 of 3.53x31.34	10 of 3.53x50.4	
15 of 2.62x26.65	15 of 3.53x32.92	10 of 3.53x37.47	
15 of 2.62x28.42	10 of 3.53x34.52	10 of 3.53x40.65	
15 of 2.62x29.82	10 of 3.53x36.10	10 of 3.53x43.82	
10 of 2.62x31.42	10 of 3.53x37.69	5 of 3.53x47.0	
10 of 2.62x33.0	10 of 3.53x40.87	5 of 3.53x50.17	



## Assortment box of 'O' Rings - C

DESCRIPTION			PART NUMBER
Assortment box of 'O' Rings - 425 pieces. Contains the following:			SE8010
20 of 1.5x3.0	15 of 2.4x6.3	10 of 3.0x10.0	
20 of 1.5x5.0	15 of 2.4x8.3	10 of 3.0x12.0	
20 of 1.5x7.0	15 of 2.4x11.3	10 of 3.0x14.0	
20 of 1.5x9.0	15 of 2.4x13.3	10 of 3.0x16.0	
20 of 1.5x11.0	15 of 2.4x17.3	10 of 3.0x18.0	
20 of 2.0x6.0	15 of 2.5x5.0	5 of 3.0x20.2	
20 of 2.0x8.0	15 of 2.5x7.0	5 of 3.0x22.2	
20 of 2.0x10.0	15 of 2.5x10.0	5 of 3.0x24.2	
20 of 2.0x12.0	15 of 2.5x12.0	5 of 3.0x26.2	
20 of 2.0x14.0	15 of 2.5x15.0	5 of 3.0x30.2	



## Assortment box of 'O' Rings - D

DESCRIPTION			PART NUMBER
Assortment box of 'O' Rings - 285 pieces. Contains the following:			SE8020
15 of 2.0x18.2	15 of 4.0x25.0	10 of 4.0x48.0	
15 of 2.0x20.0	15 of 4.0x30.0	10 of 4.0x50.0	
15 of 3.0x22.0	15 of 4.0x32.0	10 of 5.0x25.0	
15 of 3.0x25.0	15 of 4.0x34.0	10 of 5.0x30.0	
15 of 3.0x28.2	15 of 4.0x36.0	10 of 5.0x35.0	
15 of 3.0x30.2	10 of 4.0x38.0	10 of 5.0x40.0	
10 of 3.0x32.2	10 of 4.0x40.0	5 of 5.0x45.0	
10 of 3.0x36.2	10 of 4.0x44.0	5 of 5.0x50.0	

**Circlips (DIN 472 and DIN 471)**

Supplied in PACK quantities

SIZE	PACK QTY	INTERNAL CIRCLIP DIN 472 PART NUMBER	PACK QTY	EXTERNAL CIRCLIP DIN 471 PART NUMBER
mm				
5	-	-	10	AS5
6	-	-	10	AS6
7	-	-	10	AS7
8	10	HUIS8	10	AS8
9	10	HUIS9	10	AS9
10	10	HUIS10	10	AS10
11	-	-	10	AS11
12	10	HUIS12	10	AS12
13	-	-	10	AS13
14	10	HUIS14	10	AS14
15	10	HUIS15	10	AS15
16	10	HUIS16	10	AS16
17	10	HUIS17	10	AS17
18	10	HUIS18	10	AS18
19	10	HUIS19	10	AS19
20	10	HUIS20	10	AS20
21	10	HUIS21	10	AS21
22	10	HUIS22	10	AS22
23	10	HUIS23	10	AS23
24	10	HUIS24	10	AS24
25	10	HUIS25	10	AS25
26	10	HUIS26	10	AS26
27	10	HUIS27	10	AS27
28	10	HUIS28	10	AS28
29	10	HUIS29	-	-
30	10	HUIS30	10	AS30
32	10	HUIS32	10	AS32
34	10	HUIS34	10	AS34
35	10	HUIS35	10	AS35
36	-	-	10	AS36
37	10	HUIS37	-	-
38	10	HUIS38	10	AS38
39	10	HUIS39	-	-
40	10	HUIS40	10	AS40
42	10	HUIS42	10	AS42
45	10	HUIS45	10	AS45
47	10	HUIS47	10	AS47
48	10	HUIS48	10	AS48
50	10	HUIS50	10	AS50
52	10	HUIS52	10	AS52
55	10	HUIS55	10	AS55
56	10	HUIS56	-	-
58	10	HUIS58	10	AS58
60	10	HUIS60	10	AS60
62	10	HUIS62	10	AS62
65	10	HUIS65	10	AS65
68	10	HUIS68	-	-
70	10	HUIS70	10	AS70
72	10	HUIS72	10	AS72
75	10	HUIS75	10	AS75
78	10	HUIS78	10	AS78
80	10	HUIS80	10	AS80
85	Each	HUIS85	Each	AS85
90	Each	HUIS90	Each	AS90
92	Each	HUIS92	-	-
95	Each	HUIS95	Each	AS95
100	Each	HUIS100	Each	AS100
110	Each	HUIS110	-	-
112	-	-	Each	AS112
120	Each	HUIS120	Each	AS120
125	Each	HUIS125	-	-
130	Each	HUIS130	Each	AS130
140	Each	HUIS140	-	-

*Internal Circlips DIN 472**External Circlips DIN 471*



### Assortment box of Internal Circlips - Small (DIN 472)

DESCRIPTION			PART NUMBER
Assortment box of Internal Circlips - Din 472 Contains the following:			NO1
20 x HUIS10	40 x HUIS20	15 x HUIS30	
20 x HUIS12	15 x HUIS22	10 x HUIS32	
20 x HUIS15	15 x HUIS24	10 x HUIS34	
20 x HUIS16	40 x HUIS25	10 x HUIS35	
20 x HUIS18	15 x HUIS26	10 x HUIS38	
20 x HUIS19	15 x HUIS28	10 x HUIS40	



### Assortment box of Internal Circlips - Large (DIN 472)

DESCRIPTION			PART NUMBER
Assortment box of Internal Circlips - Din 472 Contains the following:			NO2
10 x HUIS42	10 x HUIS52	5 x HUIS65	
10 x HUIS45	10 x HUIS55	5 x HUIS68	
10 x HUIS47	10 x HUIS60	5 x HUIS70	
10 x HUIS50	10 x HUIS62	5 x HUIS72	



### Assortment box of External Circlips - Small (DIN 471)

DESCRIPTION			PART NUMBER
Assortment box of External Circlips - Din 471 Contains the following:			NO3
20 x AS10	40 x AS20	15 x AS30	
20 x AS12	15 x AS22	10 x AS32	
20 x AS15	15 x AS24	10 x AS34	
20 x AS16	40 x AS25	10 x AS35	
20 x AS18	15 x AS26	10 x AS38	
20 x AS19	15 x AS28	10 x AS40	



### Assortment box of External Circlips - Large (DIN 471)

DESCRIPTION			PART NUMBER
Assortment box of External Circlips - Din 471 Contains the following:			NO4
10 x AS42	10 x AS52	5 x AS62	
10 x AS45	10 x AS55	5 x AS65	
10 x AS47	10 x AS58	5 x AS70	
10 x AS50	10 x AS60	5 x AS72	

### Axle Circlip - 'E' Clip' (DIN 6799)

Supplied in PACK quantities.



TO SUIT mm	PACK QTY	PART NUMBER
2.3	10	679923
4	10	679904
5	10	679905
6	10	679906
7	10	679907
8	10	679908

TO SUIT mm	PACK QTY	PART NUMBER
9	10	679909
10	10	679910
12	10	679912
15	10	679915
19	10	679919

### Starlock Circlip

Supplied in PACK quantities.



TO SUIT mm	PACK QTY	PART NUMBER
4	100	SLC04
6	100	SLC06
8	100	SLC08
9	100	SLC09
10	100	SLC10
12	50	SLC12

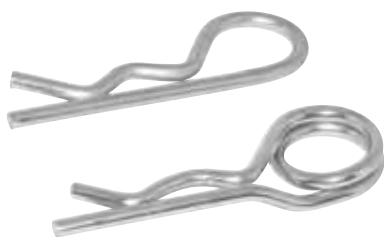
TO SUIT mm	PACK QTY	PART NUMBER
14	50	SLC14
15	25	SLC15
16	Each	SLC16
17	25	SLC17
18	Each	SLC18
20	Each	SLC20

### Half Moon Clips



SIZE		LENGTH	PART NUMBER
A	mm	mm	
	6	70	P0026
	10	70	P0018
	10	90	P0030
	8	90	P0031

### Single 'R' Clip



SIZE mm	PART NUMBER
2	P0002
3	P0003
4	P0004
5	P0005
6	P0012
7	P0006
8	P0034

### Double 'R' Clip

SIZE mm	PART NUMBER
2	P0007
3	P0008
4	P0013
5	P0009
6	P0010
7	P0011



Part numbers marked in **Red** are also available in Stainless Steel Just place RVS after the Part Number

e.g. 6X30RVS

## Roll Pins (DIN 1481)

Supplied in PACK quantities.

SIZE mm	PACK QTY	PART NUMBER
2 x 20	25	2X20
2 x 26	25	2X26
2 x 30	25	2X30
2.5 x 30	25	212X30
3 x 10	25	3X10
3 x 16	25	3X16
3 x 20	25	3X20
3 x 22	25	3X22
3 x 26	25	3X26
3 x 30	25	3X30
3 x 32	25	3X32
3 x 36	25	3X36
3 x 40	25	3X40
3.5 x 24	25	312X24
3.5 x 40	25	312X40
4 x 10	25	4X10
4 x 16	25	4X16
4 x 20	25	4X20
4 x 24	25	4X24
4 x 30	25	4X30
4 x 36	25	4X36
4 x 40	25	4X40
4 x 45	25	4X45
4 x 50	25	4X50
4 x 55	25	4X55
4 x 60	25	4X60
5 x 10	25	5X10
5 x 16	25	5X16
5 x 20	25	5X20
5 x 24	25	5X24
5 x 28	25	5X28
5 x 30	25	5X30
5 x 36	25	5X36
5 x 40	25	5X40
5 x 45	25	5X45
5 x 50	25	5X50
5 x 55	25	5X55
5 x 60	25	5X60
5 x 70	25	5X70
5 x 80	25	5X80
6 x 20	25	6X20
6 x 24	25	6X24
6 x 26	25	6X26
6 x 30	25	6X30
6 x 32	25	6X32
6 x 36	25	6X36
6 x 40	25	6X40
6 x 45	25	6X45
6 x 50	25	6X50

SIZE mm	PACK QTY	PART NUMBER
6 x 60	25	6X60
6 x 65	25	6X65
6 x 70	25	6X70
6 x 80	25	6X80
6 x 90	25	6X90
6 x 100	25	6X100
6.5 x 36	25	612X36
6.5 x 70	25	612X70
7 x 10	25	7X10
7 x 30	25	7X30
7 x 36	25	7X36
7 x 40	25	7X40
7 x 45	25	7X45
7 x 50	25	7X50
7 x 55	25	7X55
7 x 60	25	7X60
7 x 65	25	7X65
7 x 70	25	7X70
7 x 80	25	7X80
7 x 90	25	7X90
7 x 100	25	7X100
8 x 16	25	8X16
8 x 30	25	8X30
8 x 35	25	8X35
8 x 40	25	8X40
8 x 45	25	8X45
8 x 50	25	8X50
8 x 55	25	8X55
8 x 60	25	8X60
8 x 65	25	8X65
8 x 70	25	8X70
8 x 75	25	8X75
8 x 80	25	8X80
8 x 90	25	8X90
8 x 100	25	8X100
8 x 120	25	8X120
9 x 50	25	9X50
9 x 60	25	9X60
9 x 70	25	9X70
9 x 80	25	9X80
9 x 90	25	9X90
10 x 20	25	10X20
10 x 30	25	10X30
10 x 40	25	10X40
10 x 45	25	10X45
10 x 50	25	10X50
10 x 55	25	10X55
10 x 60	25	10X60
10 x 65	25	10X65

SIZE mm	PACK QTY	PART NUMBER
10 x 70	25	10X70
10 x 80	25	10X80
10 x 90	25	10X90
10 x 100	25	10X100
10 x 120	25	10X120
10 x 140	25	10X140
11 x 70	25	11X70
11 x 80	25	11X80
11 x 90	25	11X90
11 x 100	25	11X100
12 x 40	25	12X40
12 x 45	25	12X45
12 x 50	25	12X50
12 x 55	25	12X55
12 x 60	25	12X60
12 x 65	25	12X65
12 x 70	25	12X70
12 x 80	25	12X80
12 x 90	25	12X90
12 x 100	25	12X100
12 x 120	25	12X120
12 x 140	25	12X140
13 x 50	25	13X50
13 x 55	25	13X55
13 x 60	25	13X60
13 x 70	25	13X70
13 x 80	25	13X80
13 x 90	25	13X90
13 x 100	25	13X100
13 x 120	25	13X120
14 x 60	25	14X60
14 x 65	25	14X65
14 x 70	25	14X70
14 x 80	25	14X80
14 x 90	25	14X90
14 x 100	25	14X100
16 x 10	25	16X10
16 x 40	25	16X40
16 x 50	25	16X50
16 x 60	25	16X60
16 x 55	25	16X65
16 x 70	25	16X70
16 x 80	25	16X80
16 x 100	25	16X100
16 x 120	25	16X120
16 x 140	25	16X140
21 x 100	25	21X100
21 x 130	25	21X130



### Assortment box of Roll Pins (DIN 1481)

DESCRIPTION			PART NUMBER
Assortment box of Roll Pins - Din 1481 Contains the following:			NO18
50 of 2X30	50 of 5X40	10 of 8X40	
50 of 3X30	25 of 5X50	10 of 8X50	
50 of 3X40	30 of 5X60	10 of 8X60	
50 of 4X30	20 of 6X50	10 of 8X80	
25 of 4X40	30 of 6X60	5 of 10X40	
50 of 4X50	10 of 7X70	9 of 10X80	

### Spiral Pin (DIN 7343)

Supplied in PACK quantities.



SIZE mm	PACK QTY	PART NUMBER
4 x 20	25	420DIN7343
4 x 30	25	430DIN7343
4 x 40	25	440DIN7343
5 x 20	25	520DIN7343
5 x 30	25	530DIN7343
5 x 40	25	540DIN7343
5 x 50	25	550DIN7343
5 x 60	25	560DIN7343
6 x 30	25	630DIN7343
6 x 40	25	640DIN7343
6 x 50	25	650DIN7343

SIZE mm	PACK QTY	PART NUMBER
6 x 60	25	660DIN7343
6 x 70	25	670DIN7343
8 x 50	Each	850DIN7343
8 x 60	Each	860DIN7343
8 x 70	Each	870DIN7343
8 x 80	Each	880DIN7343
10 x 50	Each	1050DIN7343
10 x 70	Each	1070DIN7343
10 x 80	Each	1080DIN7343
12 x 70	Each	1270DIN7343

### Expansion Bushes (DIN 1498)



SIZE (mm)		LENGTH	PART
ID	OD	mm	NUMBER
20	24	10	202410
20	24	20	202420
20	26	20	202620
25	28	16	252816
25	32	25	253225
25	32	30	253230
25	34	27	253427
25	34	38	253438
25	34	80	253480
28	35	40	283540
30	38	20	303820
30	38	30	303830
30	38	35	303835
30	38	40	303840
30	38	50	303850
30	38	55	303855
30	40	20	304020
30	40	40	304040
32	40	20	324020
32	40	25	324025
32	40	30	324030
32	40	40	324040
32	40	50	324050

SIZE (mm)		LENGTH	PART
ID	OD	mm	NUMBER
35	43	30	354330
35	43	40	354340
35	43	50	354350
35	45	30	354530
35	45	40	354540
35	45	50	354550
38	46	40	384640
38	46	45	384645
40	50	30	405030
40	50	35	405035
40	50	40	405040
40	50	50	405050
45	55	30	455530EB
45	55	40	455540
50	60	30	506030
50	60	50	506050
55	65	40	556540
55	65	70	556570
60	70	60	607060
60	72	40	607240
60	72	60	607260
85	100	74	8510074



**Split Pins (DIN 94)**

Supplied in PACK quantities.

SIZE mm	PACK QTY	PART NUMBER
1.6 x 18	100	SP1.520
2 x 12	100	SP215
2 x 18	100	SP220
2 x 28	100	SP230
2 x 32	100	SP232
2 x 45	100	SP250
2.5 x 18	100	SP2.520
2.5 x 28	100	SP2.530
2.5 x 50	100	SP2.555
2.5 x 56	100	SP2.560
2.5 x 63	100	SP2.565
3.2 x 28	100	SP330

SIZE mm	PACK QTY	PART NUMBER
3.2 x 36	100	SP3.236
3.2 x 56	100	SP3.256
4 x 28	100	SP430
4 x 36	100	SP440
4 x 45	100	SP450
4 x 56	100	SP460
4.5 x 50	100	SP4.550
5 x 28	50	SP530
5 x 36	50	SP540
5 x 45	50	SP550
5 x 63	50	SP570
5 x 80	50	SP580

SIZE mm	PACK QTY	PART NUMBER
6.3 x 45	50	SP650
6.3 x 56	50	SP660
6.3 x 63	50	SP670
6.3 x 80	50	SP680
7 x 63	50	SP770
7 x 80	50	SP780
8 x 40	50	SP840
8 x 56	50	SP860
8 x 90	50	SP890
10 x 63	50	SP1070
10 x 80	50	SP1080
10 x 90	50	SP1090



**Assortment boxes of Split Pins**

DESCRIPTION			PART NUMBER
Assortment box of Split Pins, Contains the following:			NO13
100 of 1.6x32	50 of 3.2x40	10 of 6.3x63	
100 of 2.0x32	25 of 4.0x45	-	
75 of 2.5x40	15 of 5.0x50	-	
Assortment box of Split Pins, Contains the following:			NO15
100 of 1.6x18	50 of 3.2x36	10 of 6.3x56	
100 of 2.0x28	50 of 4.0x45	-	
75 of 2.5x40	40 of 5.0x45	-	

**Linch Pins**



SIZE (A)		LENGTH		PART NUMBER
mm	Inch	mm	Inch	
6	1/4"	44	1 3/4"	P384
8	5/16"	38	1 1/2"	P386
11	7/16"	44	1 3/4"	P385

**Linch Pins c/w Chain**

SIZE (A)		LENGTH		CHAIN LENGTH	PART NUMBER
mm	Inch	mm	Inch		
8	5/16"	38	1 1/2"	300	P388
10	3/8"	43	1.7"	350	P0029



**Pipe Linch Pins**

SIZE (A)		LENGTH	PART NUMBER
mm		mm	
10		50	P0023



x 10

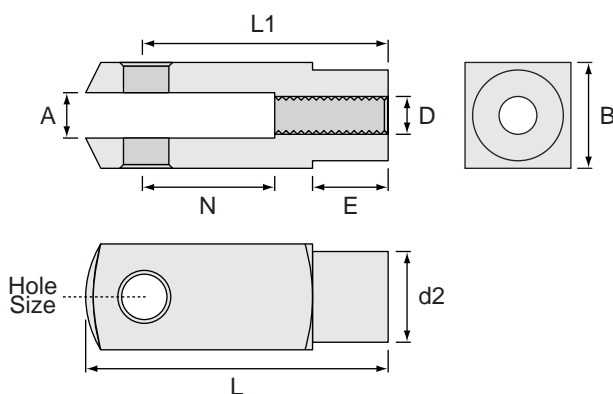
**Box of Assorted Pins & 'R' Clips**

Each box contains 10 bags of assorted pins and clips.

Each bag contains the following:

- |     |              |     |                 |
|-----|--------------|-----|-----------------|
| 5x  | 2mm 'R' Clip | 5x  | 1/4" Linch Pin  |
| 10x | 3mm 'R' Clip | 5x  | 3/8" Linch Pin  |
| 10x | 4mm 'R' Clip | 10x | 7/16" Linch Pin |
| 5x  | 5mm 'R' Clip |     |                 |

DESCRIPTION	PART NUMBER
Box of assorted pins & clips	ZPK1

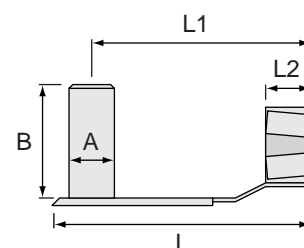
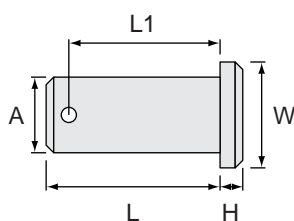


**Clevis - Short Pattern**

THREAD SIZE (D)	A	WIDTH		HOLE SIZE	LENGTH		L1	d2	E	N	PART NUMBER
	mm	B	mm	mm	L	mm	mm	mm	mm	mm	
M6	6	12	6	31	24	10	9	12	ANF166		
M8	8	16	8	42	32	14	12	16	ANF168		
M10	10	20	10	52	40	18	15	20	ANF1610		
M12	12	24	12	62	48	20	18	24	ANF1612		
M14	14	27	14	72	56	24	22.5	28	ANF1614		
M16	16	32	16	83	64	26	24	32	ANF1616		

**Clevis - Long Pattern**

THREAD SIZE (D)	A	WIDTH		HOLE SIZE	LENGTH		L1	d2	E	N	PART NUMBER
	mm	B	mm	mm	L	mm	mm	mm	mm	mm	
M6	6	12	6	43	36	10	9	24	ANF0624		
M8	8	16	8	58	48	14	12	32	ANF0832		
M10	10	20	10	72	60	18	15	40	ANF1040		
M12	12	24	12	86	72	20	18	48	ANF1248		



**Clevis Pins**

DIAMETER A	L	L1	W	H	PART NUMBER
	mm	mm	mm	mm	
6	18	13	15	2	ANP06
8	23	17	18.5	2	ANP08
10	28	21.5	24.5	3	ANP10
12	35	26.5	28.5	3	ANP12
14	40	31	32.5	4	ANP14
16	45	36	37.5	4	ANP16

**Lockable Clevis Pins**

DIAMETER A	B	L	L1	L2	PART NUMBER
	mm	mm	mm	mm	
6	14	28	23	6	ANC06
8	19	37	31	8	ANC08
10	23	46	39	10	ANC10
12	28	55	48	12	ANC12
16	36	72	62	16	ANC16
6	14	40	35	6	ANC0624
8	19	53	47	8	ANC0832
10	23	65	59	10	ANC1040
12	28	79	71	10	ANC1248

**Nylon Shafting**

Supplied in 1000mm lengths.



OD mm	MATERIAL	SOLID NYLON SHAFT PART NUMBER	BORE	HOLLOW NYLON SHAFT PART NUMBER
16	PA6	NL16	-	-
18	PA6	-	10	NL1810
20	PA6	NL20	10	NL2010
25	PA6	NL25	10	NL2510
30	PA6	NL30	15	NL3015
30	PA6	-	20	NL3020
35	PA6G	NL35	-	-
36	PA6G	-	16	NL3616
36	PA6G	-	25	NL3625
40	PA6G	NL40	20	NL4020
40	PA6G	-	30	NL4030
45	PA6G	NL45	25	NL4525
45	PA6G	-	30	NL4530
50	PA6G	NL50	20	NL5020
50	PA6G	-	40	NL5040
56	PA6G	-	35	NL5635
60	PA6G	NL60	30	NL6030
65	PA6G	NL65	-	-
66	PA6G	-	40	NL6640
70	PA6G	NL70	40	NL7040
75	PA6G	-	40	NL7540
80	PA6G	NL80	40	NL8040
90	PA6G	NL90	-	-
100	PA6G	NL100	-	-
120	PA6G	NL120	-	-
170	PA6G	-	100	NL170100

**Non Ferro Steel Shafting C45-h9**

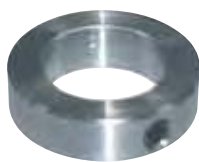
Supplied in 1000mm lengths.



Also available in 3 &amp; 6 metre lengths on request

OD mm	MATERIAL	PART NUMBER
8	C45 h9	SM8
10	C45 h9	SM10
12	C45 h9	SM12
14	C45 h9	SM14
15	C45 h9	SM15
16	C45 h9	SM16
17	C45 h9	SM17
18	C45 h9	SM18
19	C45 h9	SM19
20	C45 h9	SM20
22	C45 h9	SM22
25	C45 h9	SM25
28	C45 h9	SM28
30	C45 h9	SM30
32	C45 h9	SM32
35	C45 h9	SM35
38	C45 h9	SM38

OD mm	MATERIAL	PART NUMBER
40	C45 h9	SM40
45	C45 h9	SM45
50	C45 h9	SM50
55	C45 h9	SM55
60	C45 h9	SM60
65	C45 h9	SM65
70	C45 h9	SM70
75	C45 h9	SM75
80	C45 h9	SM80
85	C45 h9	SM85
90	C45 h9	SM90
95	C45 h9	SM95
100	C45 h9	SM100
105	C45 h9	SM105
110	C45 h9	SM110
115	C45 h9	SM115
120	C45 h9	SM120



### Standard - Shaft Locking Collars c/w Grub Screw (DIN 705)

SIZE		THICKNESS	PART NUMBER
ID	mm	mm	
6	12	8	A6DIN705
8	16	8	A8DIN705
10	20	10	A10DIN705
12	22	12	A12DIN705
15	25	12	A15DIN705
16	28	12	A16DIN705
20	32	14	A20DIN705
22	36	14	A22DIN705
25	40	16	A25DIN705
26	40	16	A26DIN705
28	45	16	A28DIN705
30	45	16	A30DIN705
32	50	16	A32DIN705

SIZE		THICKNESS	PART NUMBER
ID	mm	mm	
35	56	16	A35DIN705
40	63	18	A40DIN705
45	70	18	A45DIN705
48	70	18	A48DIN705
50	80	18	A50DIN705
55	85	20	A55DIN705
60	90	20	A60DIN705
65	100	20	A65DIN705
70	100	20	A70DIN705
80	110	22	A80DIN705
90	125	22	A90DIN705
95	140	25	A95DIN705
100	140	25	A100DIN705

### Heavy Duty - Shaft Locking Collars c/w Grub Screw (DIN 703)

SIZE		THICKNESS	PART NUMBER
ID	mm	mm	
20	40	20	A20DIN703
25	56	22	A25DIN703
28	63	22	A28DIN703
30	63	22	A30DIN703
35	70	22	A35DIN703

SIZE		THICKNESS	PART NUMBER
ID	mm	mm	
40	80	22	A40DIN703
50	90	28	A50DIN703
60	100	28	A60DIN703
70	110	32	A70DIN703
75	110	32	A75DIN703

### Key Steel - 1 Metre Lengths (DIN 6880)

Supplied in 1000mm Lengths.



WIDTH	HEIGHT	LENGTH	PART NUMBER
mm	mm	mm	
6	6	1000	KS66
8	7	1000	KS87
10	8	1000	KS108
12	8	1000	KS128
14	9	1000	KS149
16	10	1000	KS1610
18	11	1000	KS1811
22	14	1000	KS2214

### Wood Ruff Keys (DIN 6888)

Supplied in PACK quantities.



WIDTH	HEIGHT	LENGTH	PACK QTY	PART NUMBER
mm	mm	mm		
4	7.5	18	10	WK47518
5	9	22	10	WK5922
6	9	22	10	WK6922
6	11	28	10	WK61128
8	11	28	10	WK81128
8	13	32	10	WK81332
10	13	32	10	WK101332

**Gig Head Keys (DIN 6887)**

Supplied in PACK quantities.



WIDTH mm	HEIGHT mm	LENGTH mm	PACK QTY	PART NUMBER
5	5	50	10	GK5550
6	6	40	10	GK6640
6	6	50	10	GK6650
6	6	60	10	GK6660
6	6	80	10	GK6680
8	5	50	10	GK8550
8	7	40	10	GK8740
8	7	50	10	GK8750
8	7	60	10	GK8760
8	7	80	10	GK8780
8	7	100	10	GK87100
10	6	60	10	GK10660
10	8	40	10	GK10840
10	8	50	10	GK10850
10	8	60	10	GK10860
10	8	80	10	GK10880
10	8	100	10	GK108100
12	6	60	10	GK12660
12	8	40	10	GK12840
12	8	60	10	GK12860
12	8	80	10	GK12880
12	8	100	10	GK128100
14	6	70	10	GK14670
14	9	80	10	GK14980
14	9	100	10	GK149100
14	9	120	10	GK149120
16	10	80	10	GK161080

**Assortment box of Standard Keys (DIN 6885 / DIN 6687)**

DESCRIPTION			PART NUMBER
Assortment box of Standard & Gib Head Keys - DIN 6885 & DIN 6887. Contains the following:			NO9
5 of GK/SK6640	5 of GK/SK10840	5 of GK/SK12840	
5 of GK/SK6640	5 of GK/SK10850	5 of GK/SK12860	
5 of GK/SK8750	5 of GK/SK10860	4 of GK/SK12880	
5 of GK/SK8780	5 of GK/SK10880	3 of GK/SK14980	

**Assortment box of Standard Keys (DIN 6885)**

DESCRIPTION			PART NUMBER
Assortment box of Standard Keys - DIN 6885 Contains the following:			NO10
15 of SK6620	15 of SK8780	8 of SK10880	
15 of SK6640	10 of SK10840	5 of SK12840	
15 of SK6660	10 of SK10850	8 of SK12860	
15 of SK8750	8 of SK10860	5 of SK12880	



### Standard Keys (DIN 6885A)

Supplied in PACK quantities.

WIDTH mm	HEIGHT mm	LENGTH mm	PACK QTY	PART NUMBER
5	5	10	10	SK5510
5	5	20	10	SK5520
5	5	25	10	SK5525
5	5	30	10	SK5530
5	5	35	10	SK5535
5	5	40	10	SK5540
5	5	50	10	SK5550
6	4	50	10	SK6450
6	6	15	10	SK6615
6	6	20	10	SK6620
6	6	25	10	SK6625
6	6	30	10	SK6630
6	6	32	10	SK6632
6	6	35	10	SK6635
6	6	40	10	SK6640
6	6	45	10	SK6645
6	6	50	10	SK6650
6	6	60	10	SK6660
6	6	70	10	SK6670
8	5	40	10	SK8540
8	5	60	10	SK8560
8	7	20	10	SK8720
8	7	25	10	SK8725
8	7	28	10	SK8728
8	7	30	10	SK8730
8	7	32	10	SK8732
8	7	35	10	SK8735
8	7	36	10	SK8736
8	7	40	10	SK8740
8	7	45	10	SK8745
8	7	50	10	SK8750
8	7	55	10	SK8755
8	7	60	10	SK8760
8	7	65	10	SK8765
8	7	70	10	SK8770
8	7	80	10	SK8780
8	7	85	10	SK8785
8	7	90	10	SK8790
8	7	95	10	SK8795
8	7	100	10	SK87100
8	7	160	10	SK87160
10	6	50	10	SK10650
10	6	70	10	SK10670
10	8	20	10	SK10820
10	8	25	10	SK10825
10	8	30	10	SK10830
10	8	32	10	SK10832

WIDTH mm	HEIGHT mm	LENGTH mm	PACK QTY	PART NUMBER
10	8	35	10	SK10835
10	8	36	10	SK10836
10	8	40	10	SK10840
10	8	45	10	SK10845
10	8	50	10	SK10850
10	8	55	10	SK10855
10	8	60	10	SK10860
10	8	70	10	SK10870
10	8	80	10	SK10880
10	8	90	10	SK10890
10	8	100	10	SK108100
12	6	70	10	SK12670
12	8	30	10	SK12830
12	8	32	10	SK12832
12	8	35	10	SK12835
12	8	40	10	SK12840
12	8	45	10	SK12845
12	8	50	10	SK12850
12	8	56	10	SK12856
12	8	60	10	SK12860
12	8	70	10	SK12870
12	8	80	10	SK12880
12	8	90	10	SK12890
12	8	100	10	SK128100
12	8	120	10	SK128120
14	6	80	10	SK14680
14	9	35	10	SK14935
14	9	45	10	SK14945
14	9	50	10	SK14950
14	9	60	10	SK14960
14	9	63	10	SK14963
14	9	65	10	SK14965
14	9	70	10	SK14970
14	9	80	10	SK14980
14	9	100	10	SK149100
14	9	120	10	SK149120
14	9	125	10	SK149125
14	9	200	10	SK149200
16	10	60	10	SK161060
16	10	70	10	SK161070
16	10	80	10	SK161080
16	10	125	10	SK1610125
18	11	40	10	SK181140
18	11	60	10	SK181160
18	11	120	10	SK1811120
20	12	63	10	SK201263



### Short Link Chain (DIN 766)

Supplied in 30 metre lengths.

LINK THICKNESS	OUTSIDE LINK WIDTH	SAFE WORK LOAD	PACK QTY	GALVANISED PART NUMBER	SELF COLOUR PART NUMBER
mm	mm	kN	metres		
4	14	1.5	30	SK04Z	SK04B
5	17	2.5	30	SK05Z	SK05B
6	20	3.5	30	SK06Z	SK06B
7	23	4.5	30	SK07Z	SK07B
8	26	6.3	30	SK08Z	SK08B
10	34	10	30	SK10Z	SK10B
13	44	16	30	-	SK13B
16	54	25	30	-	SK16B



### CK Foot Chain

Supplied in 30 metre lengths.

LINK THICKNESS	OUTSIDE LINK WIDTH	SAFE WORK LOAD	PACK QTY	GALVANISED PART NUMBER	SELF COLOUR PART NUMBER	STAINLESS STEEL PART NO
mm	mm	kN	metres			
2	10		30	-	-	CK20RVS
3	12	0.7	30	CK30Z	CK30B	CK30RVS
4	16	1.25	30	CK40Z	CK40B	CK40RVS
5	20	1.9	30	CK50Z	CK50B	CK50RVS
6	24	2.9	30	CK60Z	CK60B	CK60RVS
7	28	3.75	30	CK70Z	CK70B	CK70RVS
8	32	5	30	CK80Z	CK80B	CK80RVS
10	40	7.75	30	CK100Z	CK100B	CK100RVS
12	47	11.25	30	CK120Z	CK120B	CK130RVS

### Victor Chain BZP (Knotted Chain)

Supplied in 30 metre lengths.

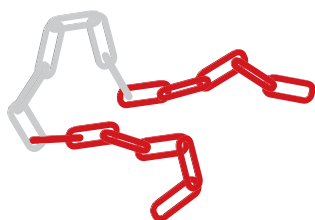


LINK THICKNESS	PITCH	NR	PACK QTY	GALVANISED PART NUMBER
mm	mm	kN	metres	
1.8	31	20	30	VK20V
2	34	22	30	VK22V
2.3	37	25	30	VK25V
2.8	43	30	30	VK30V
3.4	50	35	30	VK35VZ

### Long Link Steel Chain



LINK THICKNESS	PITCH	SAFE WORK LOAD	PACK QTY	PART NUMBER
mm	mm	kN		
11	67	150	Metre	LK11
13	78	200	Metre	LK13

**Plastic Link Chain RED / WHITE**

Supplied in 25 metre lengths.

LINK THICKNESS	PACK QTY	PART NUMBER
mm	metre	
6	25	KK150006
8	25	KK150008

**Chain Repair Link**

SIZE	PART NUMBER
mm	
4	SL04
5	SL05
6	SL06
7	SL07
8	SL08
9	SL09
10	SL10

**Quick Repair Chain Repair Link**

SIZE	PART NUMBER
mm	
3	KG03
4	KG04
5	KG05
6	KG06
7	KG07
8	KG08
9	KG09
10	KG10
12	KG12

*Standard Type**Screw Sleeve Type***Carbine Hook**

THICKNESS	HEIGHT	PART NUMBER	STAINLESS STEEL	SCREW SLEEVE
mm	mm		PART NUMBER	PART NUMBER
5	50	KH05	KH05RVS	
6	60	KH06	KH06RVS	KH06S
7	70	KH07	KH07RVS	KH07S
8	80	KH08	KH08RVS	KH08S
9	90	KH09		KH09S
10	100	KH10	KH10RVS	KH10S
11	120	KH11	KH11RVS	KH11S
12	120	KH12		KH12S

**'S' Chain Hook**

THICKNESS	HEIGHT	PART NUMBER	STAINLESS STEEL
mm	mm		PART NUMBER
3	32	SH03	SH03RVS
4	40	SH04	SH04RVS
5	50	SH05	SH05RVS
6	60	SH06	-
7	70	SH07	-
8	80	SH08	SH08RVS
10	100	SH10	-

**Snap Hook**

LENGTH	PART NUMBER
mm	
30	SH030N
40	SH040N
50	SH050N
60	SH060N
70	SH070N
80	SH080N
90	SH090N
100	SH100N

**Swivel Snap Hook**

LENGTH	INNER	PART NUMBER	STAINLESS STEEL
mm			PART NUMBER
80	16	SSH16	SSH16RVS
87	20	SSH20	SSH20RVS
106	28	SSH28	-

**Swivel Link**

SIZE	PART NUMBER
mm	
3	WE34
5	WE05
6	WE06
8	WE08
10	WE10

**Bow Shackle**

SIZE		PART NUMBER	STAINLESS STEEL PART NUMBER
mm	Inch		
5	3/16	BS5	BS5RVS
6	1/4	BS6	BS6RVS
8	5/16	BS8	BS8RVS
10	3/8	BS10	BS10RVS
11	7/16	BS11	-
12	1/2	BS12	BS12RVS
16	5/8	BS16	BS16RVS
19	3/4	BS19	BS19RVS
22	7/8	BS22	-
25	1	BS25	-

**'D' Shackle**

SIZE		PART NUMBER	STAINLESS STEEL PART NUMBER
mm	Inch		
5	3/16	D5	D5RVS
6	1/4	D6	D6RVS
8	5/16	D8	D8RVS
10	3/8	D10	D10RVS
11	7/16	D11	-
12	1/2	D13	D13RVS
16	5/8	D16	D16RVS
19	3/4	D19	D19RVS
22	7/8	D22	-
25	1	D25	-

**Rings**

SIZE	PART NUMBER
mm	
6 x 40	GR064E
6 x 50	GR065E
7 x 50	GR075E
8 x 35	GR083E
8 x 50	GR085E
8 x 60	GR086E
8 x 80	GR088E
10 x 40	GR104E
10 x 50	GR105E
12 x 60	GR126E
12 x 100	GR130E

**'D' Ring**

SIZE	PART NUMBER
mm	
5	GDR052E
6	GDR064E
7	GDR075E
8	GDR084E

**Wire Rope**

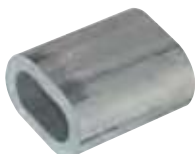
Supplied in PACK quantities



SIZE mm	CONSTRUCTION	SAFE WORK LOAD (kN)	ROLL LENGTH	PART NUMBER
3	6 x 19	1.22	30 Metre	<b>330</b>
3	6 x 19	1.22	100 Metre	<b>3100</b>
4	6 x 19	2.2	30 Metre	<b>430</b>
4	6 x 19	2.2	100 Metre	<b>4100</b>
5	6 x 19	3.4	30 Metre	<b>530</b>
5	6 x 7	3.4	100 Metre	<b>5100</b>
5	6 x 7	3.7	500 Metre	<b>5500</b>
6	6 x 19	4.9	30 Metre	<b>630</b>
6	6 x 19	4.9	100 Metre	<b>6100</b>
8	6 x 19	8.7	30 Metre	<b>830</b>
8	6 x 19	8.7	100 Metre	<b>8100</b>
8	6 x 12 + 7	8.7	500 Metre	<b>8500</b>
10	6 x 19	13.6	30 Metre	<b>1030</b>
10	6 x 19	13.6	100 Metre	<b>10100</b>
12	6 x 19	19.5	30 Metre	<b>1230</b>
12	6 x 19	19.5	100 Metre	<b>12100</b>

**Wire Rope Grips**

DESIGNED FOR	THREAD	PART NUMBER	STAINLESS STEEL PART NUMBER
3mm Wire	M4	<b>G4</b>	<b>G3RVS</b>
4mm Wire	M4		<b>G4RVS</b>
5mm Wire	M5	<b>G5</b>	<b>G5RVS</b>
6mm Wire	M5	<b>G6</b>	<b>G6RVS</b>
8mm Wire	M6	<b>G8</b>	<b>G8RVS</b>
10mm Wire	M8	<b>G10</b>	<b>G10RVS</b>
12mm Wire	M10	<b>G12</b>	<b>G12RVS</b>
16mm Wire	M12	<b>G16</b>	
19mm Wire	M12	<b>G19</b>	

**Wire Rope Thimble and Crimper***Rope Thimble**Crimper*

DESIGNED FOR	ROPE THIMBLE PART NUMBER	CRIMPER PART NUMBER
3mm Wire		<b>WK03</b>
4mm Wire	<b>B4</b>	<b>WK04</b>
5mm Wire	<b>B5</b>	<b>WK05</b>
6mm Wire	<b>B6</b>	<b>WK06</b>
8mm Wire	<b>B8</b>	<b>WK08</b>
10mm Wire	<b>B10</b>	<b>WK10</b>
11mm Wire		<b>WK11</b>
12mm Wire	<b>B12</b>	<b>WK12</b>
13mm Wire	<b>B13</b>	<b>WK13</b>
14mm Wire		<b>WK14</b>
16mm Wire	<b>B16</b>	<b>WK16</b>
19mm Wire	<b>B19</b>	



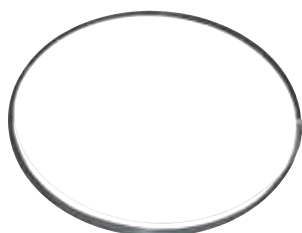
### Wire Rope Pulley

DESIGNED FOR	BORE	OUTSIDE Ø	PART NUMBER
6mm Wire	4	40	SR040
7mm Wire	5	50	SR050
8mm Wire	5	60	SR060
8mm Wire	6	70	SR070
10mm Wire	10	80	SR080
12mm Wire	12	90	SR090
12mm Wire	12	100	SR100
14mm Wire	14	120	SR120
16mm Wire	16	140	SR140
16mm Wire	18	160	SR160
18mm Wire	18	180	SR180
19mm Wire	18	200	SR200



### Universal Stop Cable

LENGTH	PART NUMBER
mm	
1600	C401600
2600	C402600



### Inner Cable

SIZE	LENGTH	PART NUMBER
mm		
1.5	25 Metre Roll	80015000
2.5	25 Metre Roll	80025000



### Outer Cable

SIZE	LENGTH	PART NUMBER
mm		
1.5	25 Metre Roll	91025049
2.5	25 Metre Roll	91040070



### Outer Cable End Cap

SIZE	DESCRIPTION	PART NUMBER
mm		
1.5	Socket	06049070
2.5	Socket	06070100
2.5	Outer cable end	06070110



### Cable Nipple Retainer Open

DESCRIPTION	PART NUMBER
Cable nipple retainer	21098040



### Cable Nipple Retainer Closed

DESCRIPTION	PART NUMBER
Hook on nipple 8 x 15mm	31008015



### Adjustment Nipple

THREAD SIZE	PART NUMBER
M5	47105035
M6	47106035
M8	47108035



### Soldering Nipple

LENGTH	DIAMETER	BORE	PART NUMBER
mm	mm	mm	
13	3.5	2.8	28133528
13	3.5	2.0	28133520
13	3.5	2.3	28133525
8	3.5	2.3	28083523
4	3.0	1.7	28043017
6	6.0	1.8	28066018



### Clip Piece and Screw

SIZE	PART NUMBER
mm	
5.5 x 6	86105506
6 x 10	86106010
6 x 15	86106015
7 x 9	86107009
7 x 11	86107011
8 x 9	86108009
8 x 15	86108015



### Assortment box of Accessories for Operating Cables

DESCRIPTION	PART NUMBER
Assortment box of Accessories for Operating Cables	SE4000



**Turnbuckle with 2 x Plain Ends (DIN 1480)**

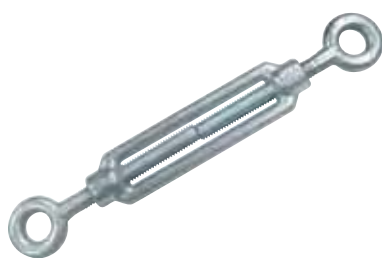
THREAD	RANGE	PART NUMBER
	mm	
M20	440 - 570	M20CCDIN1480
M22	480 - 630	M22CCDIN1480
M24	520 - 690	M24CCDIN1480
M30	520 - 680	M30CCDIN1480
M36	600 - 780	M36CCDIN1480

THREAD	RANGE	PART NUMBER
	mm	
M20	440 - 570	M20CCDIN1480
M22	480 - 630	M22CCDIN1480
M24	520 - 690	M24CCDIN1480
M30	520 - 680	M30CCDIN1480
M36	600 - 780	M36CCDIN1480



**Solid Body Turnbuckle with 2 x Plain Ends (DIN 1478)**

THREAD	RANGE	PART NUMBER
	mm	
M12	300 - 390	M12CCDIN1478
M16	400 - 520	M16CCDIN1478
M20	400 - 540	M20CCDIN1478
M24	520 - 700	M24CCDIN1478
M30	520 - 680	M30CCDIN1478



**Turnbuckle with 2 x Eyes (DIN 1480)**

THREAD	RANGE	PART NUMBER
	mm	
M6	169 - 249	M6EEDIN1480
M8	179 - 254	M8EEDIN1480
M10	210 - 295	M10EEDIN1480
M12	230 - 310	M12EEDIN1480
M14	-	M14EEDIN1480

THREAD	RANGE	PART NUMBER
	mm	
M16	330 - 440	M16EEDIN1480
M20	335 - 465	M20EEDIN1480
M22	370 - 520	M22EEDIN1480
M24	420 - 590	M24EEDIN1480



**Solid Body Turnbuckle with 2 x Eyes (DIN 1478)**

THREAD	RANGE	PART NUMBER
	mm	
M6	167 - 257	M6EEDIN1478
M8	179 - 264	M8EEDIN1478
M10	210 - 305	M10EEDIN1478
M12	230 - 320	M12EEDIN1478
M16	330 - 450	M16EEDIN1478
M20	335 - 475	M20EEDIN1478
M24	420 - 600	M24EEDIN1478



**Turnbuckle with Hook & Eye (DIN 1480)**

THREAD	RANGE	PART NUMBER	STAINLESS STEEL
			PART NUMBER
			mm
M6	172 - 252	M6HEDIN1480	M6HERVS1480
M8	182 - 257	M8HEDIN1480	M8HERVS1480
M10	213 - 298	M10HEDIN1480	M10HERVS1480
M12	238 - 318	M12HEDIN1480	M12HERVS1480
M16	320 - 430	M16HEDIN1480	M16HERVS1480
M20	367 - 497	M20HEDIN1480	-
M22	407 - 557	M22HEDIN1480	-
M24	447 - 617	M24HEDIN1480	-



### Nylon Rope on Reel

Supplied in PACK quantities.

SIZE mm	PACK QTY metres	PART NUMBER
4	220	NR4
6	220	NR6
8	220	NR8
10	220	NR10
12	220	NR12
14	220	NR14



### Nylon Rope packed in Plastic

Supplied in PACK quantities.

SIZE mm	PACK QTY metres	PART NUMBER
4	20	NT500420Z
6	20	NT500620Z
8	20	NT500820Z
10	10	NT501010Z



### Nylon Cord

Supplied in PACK quantities.

SIZE mm	PACK QTY metres	PART NUMBER
2	100	NT602100Z
3	25	NT600325Z
3	100	NT603100Z
4	25	NT600425Z
4	100	NT604100Z
5	25	NT600525Z
5	100	NT605100Z
6	25	NT600625Z
6	100	NT606100Z
8	100	NT608100Z



### Parcel String

Supplied in PACK quantities.

DESCRIPTION	PACK QTY	PART NUMBER
	metres	
Parcel Packing String	50	NT400050Z
Hemp String	100	NT400100Z
Hemp String	200	NT400200Z



### Sisal Cord

Supplied in PACK quantities.

DESCRIPTION	PACK QTY	PART NUMBER
2.5 mm Sisal cord	60 metres	NT260060Z
2.5 mm Sisal cord	280 metres	NT260280Z
3.5 mm Sisal cord	2.5 Kg	NT360250Z

**Worm Screw Hose Clamps**

Supplied in PACK quantities.



TO SUIT HOSE		PACK QTY	PART NUMBER	STAINLESS STEEL PART NUMBER
OD	mm			
7 - 13		100		SGT713RVS
10 - 16		100	SGT1016	SGT1016RVS
13 - 19		50	SGT1319	SGT1319RVS
16 - 27		50	SGT1627	SGT1627RVS
19 - 29			SGT1929	SGT1929RVS
23 - 35		50	SGT2335	SGT2335RVS
25 - 40		50	SGT2540	SGT2540RVS
30 - 45		50	SGT3045	SGT3045RVS
32 - 50		50	SGT3250	SGT3250RVS
40 - 60		50	SGT4060	SGT4060RVS
50 - 70		25	SGT5070	SGT5070RVS
60 - 80		25	SGT6080	SGT6080RVS
70 - 90		25	SGT7090	SGT7090RVS
80 - 100		25	SGT80100	SGT80100RVS
90 - 110		25	SGT90110	SGT90110RVS
100 - 120		25	SGT100120	SGT100120RVS
110 - 130		25	SGT110130	SGT110130RVS
120 - 140		25	SGT120140	SGT120140RVS
130 - 150		25	SGT130150	SGT130150RVS
140 - 160		25	SGT140160	SGT140160RVS
150 - 170		25	SGT150170	SGT150170RVS
160 - 180		25	SGT160180	SGT160180RVS
170 - 190		25	SGT170190	SGT170190RVS
180 - 200		25	SGT180200	SGT180200RVS

**Mini Hose Clamps**

Supplied in PACK quantities.



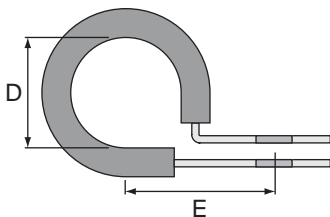
TO SUIT HOSE		PACK QTY	PART NUMBER
OD	mm		
7 - 8.5		10	ZS89
8 - 9.5		10	ZS99
9 - 10.5		10	ZS109
9.5 - 11.5		10	ZS119
10.5 - 12.5		10	ZS129
11.5 - 13.5		10	ZS139
12.5 - 14.5		10	ZS149
13.5 - 15.5		10	ZS159
14 - 16.5		10	ZS169
15 - 17.5		10	ZS189

## Hose Clamps - RHC Heavy Duty - 1 Piece

TO SUIT HOSE OD (mm)	PART NUMBER	STAINLESS STEEL PART NUMBER
17 - 19	1719	1719SS
20 - 22	2022	2022SS
23 - 25	2325	2325SS
25 - 27	2527	2527SS
26 - 28	2628	2628SS
29 - 31	2931	2931SS
32 - 35	3235	3235SS
36 - 39	3639	3639SS
40 - 43	4043	4043SS
44 - 47	4447	4447SS
48 - 51	4851	4851SS
52 - 55	5255	5255SS
56 - 59	5659	5659SS
60 - 63	6063	6063SS
64 - 67	6467	6467SS
68 - 73	6873	6873SS
74 - 79	7479	7479SS
80 - 85	8085	8085SS
86 - 91	8691	8691SS
92 - 97	9297	9297SS
98 - 103	98103	98103SS
104 - 112	104112	104112SS
113 - 121	113121	113121SS
122 - 130	122130	122130SS
131 - 139	131139	131139SS
140 - 148	140148	140148SS
149 - 161	149161	149161SS
162 - 174	162174	162174SS
175 - 187	175187	175187SS
188 - 200	188200	188200SS
201 - 213	201213	201213SS
214 - 226	214226	214226SS
227 - 239	227239	227239SS
240 - 252	240252	240252SS

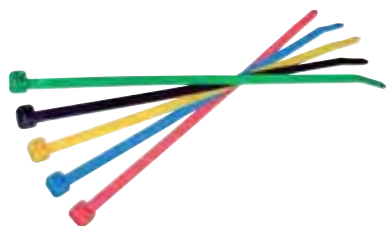


## Lead Clamps



D mm	E mm	PIPE Ø mm	PART NUMBER
4.8 - 6.4	15.5	6	RSGU10812
7.9 - 9.5	16.5	8	RSGU10612
9.5 - 11.0	17.8	10	RSGU11012
11.1 - 12.7	18.5	11	RSGU11112
12.7 - 14.3	19.4	12	RSGU11212
14.3 - 15.9	20.2	15	RSGU11512
17.5 - 19.0	21.8	18	RSGU11812
20.6 - 22.2	23.4	20	RSGU12015
22.2 - 23.8	24.2	22	RSGU12215
25.4 - 27.0	25.8	25	RSGU12515
28.6 - 30.2	27.9	28	RSGU12815
31.8 - 33.3	29.4	32	RSGU13212
44.5 - 47.0	38.0	44	RSGU14412
51.0 - 54.0			RSGU15112

## Cable Ties



WIDTH	LENGTH	COLOUR	PART NUMBER
mm	mm		
2.5	100	Black	CT2598
3.6	140	Black	CT36140
4.8	200	Clear	CT47195N
4.8	186	Blue	CT48186B
4.8	186	Green	CT48186G
4.8	186	Red	CT48186R
4.8	186	Yellow	CT48186Y
4.8	200	Black	CT48200
4.8	300	Black	CT48290
4.8	300	Clear	CT48300N
4.8	360	Black	CT48360
7.6	292	Black	CT78240
7.8	365	Black	CT78368
9.0	710	Black	CT90710

## Insulating Tape

Sold per ROLL.



DESCRIPTION	COLOUR	WIDTH	ROLL	PART NUMBER
		mm	LENGTH	
Insulating tape	Yellow	15	10 metres	EM20401
Insulating tape	Blue	15	10 metres	EM20402
Insulating tape	Green	15	10 metres	EM20403
Insulating tape	Red	15	10 metres	EM20404
Insulating tape	Black	15	10 metres	EM20405
Insulating tape	Black	50	10 metres	EM20406
Insulating tape K30/A/25/15	Black	15	-	EM20425
Insulating tape	Red	50	10 metres	EM20407
Insulating tape	Green	50	10 metres	EM20408
Insulating tape	Yellow	50	10 metres	EM20409
Insulating tape	Grey	50	10 metres	EM204012

## Adhesive Tape

Sold per ROLL.



DESCRIPTION	COLOUR	WIDTH	ROLL	PART NUMBER
		mm	LENGTH	
Adhesive Tape PE	Black	100	20 metres	EM2048
Adhesive Tape	Black	100	10 metres	EM204010
Adhesive Tape	White	100	10 metres	EM204011



### Masking Tape

Sold per ROLL.

DESCRIPTION	COLOUR	WIDTH	ROLL LENGTH	PART NUMBER
		mm		
Masking tape	Neutral	19	50 Metres	<b>PP301-19</b>
Masking tape	Neutral	25	50 Metres	<b>PP301-25</b>
Masking tape	Neutral	30	50 Metres	<b>PP301-30</b>
Masking tape	Neutral	38	50 Metres	<b>PP301-38</b>
Masking tape	Neutral	50	50 Metres	<b>PP301-50</b>



### Duck Tape

DESCRIPTION	COLOUR	WIDTH	ROLL LENGTH	PART NUMBER
		mm		
Box of 12 rolls of Duck tape	Silver	50	50 metres	<b>5000402</b>
Single roll of Duck tape	Silver	50	50 metres	<b>5000402111</b>



### P.T.F.E Tape

Sold per ROLL.

DESCRIPTION	COLOUR	WIDTH	ROLL LENGTH	PART NUMBER
		mm		
P.T.F.E Sealing tape	White	12	12 metres	<b>FG1000</b>



### Star Control Knob with Threaded End

THREAD	SIZE	THREAD LENGTH	PART NUMBER
	mm		
M6	32	25	6336S0632
M8	40	25	6336S0840
M10	50	25	6336S1050
M12	63	25	6336S1263



### Round Control Knob

THREAD	SIZE	DESCRIPTION	PART NUMBER
	mm		
M6	25	Round control knob	319C0625
M8	32	Round control knob	319C0832
M10	40	Round control knob	319C1040
M12	50	Round control knob	319C1250



### Star Control Knob

THREAD	SIZE	DESCRIPTION	PART NUMBER
	mm		
M6	32	Star control knob	63360632
M8	40	Star control knob	63360840
M10	50	Star control knob	63361050
M12	63	Star control knob	63361263



### Handle (Female Thread)

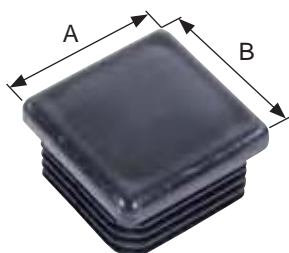
THREAD	PART NUMBER
M8	KS460548
M10	KS460549
M12	KS460550



### Handle (Male Thread)

THREAD	THREAD LENGTH	PART NUMBER
	mm	
M8	40	KS460554
M10	40	KS460556
M12	35	KS460557

### Square Plastic End Cap



DIMENSION A	DIMENSION B	PART NUMBER
mm	mm	
20	20	KS199224
25	25	KS199133
30	30	KS199151
35	35	KS199117
40	40	KS199062
45	45	KS10706
50	50	KS199190
60	60	KS199211
70	70	KS199255
80	80	KS199247
90	90	KS460699
100	100	KS111210

### Rectangle Plastic End Cap



DIMENSION A	DIMENSION B	PART NUMBER
mm	mm	
30	15	KS12655
30	20	KS111341
40	20	KS199213
50	25	KS199176
60	30	KS199225
60	40	KS199226
80	40	KS199227
100	50	KS199195

### Round Plastic End Cap



SIZE (R)	PART NUMBER
mm	
16	KS11792
20	KS11788
25	KS11784
30	KS11776
60.3	KS11860
90	KS460677
100	KS460679

### Plastic Cap to suit Hex Bolt



HEX DIMENSION	TO SUIT BOLT	PART NUMBER
mm		
7.9	M5	KS15211
9.8	M6	KS12837
12.8	M8	KS12838
16.8	M10	KS12839
18.8	M12	KS12840
21.8	M14	KS12841
23.8	M16	KS12842
29.7	M20	KS12970
35.7	M24	KS12893



### Pop Rivets

Supplied in PACK quantities.

SIZE mm	LENGTH mm	PACK QTY	ALUMINIUM PART NUMBER	LARGE HEAD ALUMINIUM	STEEL PART NUMBER	STAINLESS STEEL PART NUMBER
3	5	100	35	-	-	-
3	8	100	38	-	-	38RVS
3	10	100	310	-	-	310RVS
3.2	6	100	-	-	326S	-
3.2	10	100	-	3210L	-	-
3.2	12	100	-	3212L	-	-
4	6	100	46	-	-	46RVS
4	8	100	48	-	-	48RVS
4	10	100	410	410L	-	410RVS
4	12	100	412	-	-	412RVS
4	15	100	-	-	-	415RVS
4	16	100	416	416L	-	-
4.8	10	100	-	4810L	-	-
4.8	16	100	-	4816L	-	-
5	10	100	510	-	-	510RVS
5	12	100	512	-	512S	512RVS
5	14	100	514	-	-	-
5	15	100	-	-	-	515RVS
5	16	100	516	-	-	-
5	20	100	520	-	-	-
5	22	100	521	-	-	-
5	30	100	530	-	-	-



### COPPER Pop Rivets for Brake Linings

SIZE mm	LENGTH mm	PART NUMBER
4	10	CR410
4	12	CR412
5	12	CR512
6	10	CR610
6	18	CR618
6	20	CR620
8	20	CR820



### Pop Rivet Gun

Supplied with 4 nozzles to accept various sizes of rivet.

DESCRIPTION	PART NUMBER
Pop Rivet gun for riveting 3, 4 & 5 mm rivets	82701

## Cutter Bar Mower &amp; Combine Knife Rivets

Supplied in PACK size.

SIZE	LENGTH	PACK SIZE	DIN 661	DIN660
mm	mm		COUNTER SUNK PART NUMBER	ROUND HEAD PART NUMBER
5	12	1/2 Kg	512VZ	-
5	13	1/2 Kg	5X13CS	5X13RH
5	15	1/2 Kg	515VZ	-
5	16	1/2 Kg	516VZ	5X16RH
5	17	1/2 Kg	517VZ	-
5	18	1/2 Kg	518VZ	5X18RH
5	20	1/2 Kg	5X20CS	5X20RH
5	22	1/2 Kg	5X22CS	-
5	25	1/2 Kg	5X25CS	5X25RH
5	27	1/2 Kg	527VZ	-
5	30	1/2 Kg	5X32CS	-
5	35	1/2 Kg	535VZ	535BZ
5	36	1/2 Kg	536VZ	-
5.4	13	1/2 Kg	5.4X13CS	5.4X13RH
5.4	16	1/2 Kg	5.4X16CS	5.4X16RH
5.4	20	1/2 Kg	5.4X20CS	5.4X20RH
5.4	22	1/2 Kg	5.4X22CS	5.4X22RH
5.4	25	1/2 Kg	5.4X25CS	5.4X25RH
5.4	28	1/2 Kg	-	51428BZ
5.4	32	1/2 Kg	5.4X32CS	5.4X32RH
5.5	16	1/2 Kg	-	5516BZ
6	12	1/2 Kg	612VZ	6X13RH
6	14	1/2 Kg	614VZ	-
6	15	1/2 Kg	6X15CS	-
6	16	1/2 Kg	616VZ	6X16RH
6	18	1/2 Kg	618VZ	6X18RH
6	19	1/2 Kg	-	619BZ
6	20	1/2 Kg	620VZ	620BZ
6	22	1/2 Kg	-	622BZ
6	23	1/2 Kg	623VZ	-
6	25	1/2 Kg	-	6X25RH
6	26	1/2 Kg	626VZ	-
6	28	1/2 Kg	-	6X28RH
6	30	1/2 Kg	6X31CS	630BZ
6	35	1/2 Kg	635VZ	635BZ
6	40	1/2 Kg	640VZ	6X40RH
6	42	1/2 Kg	642VZ	-
6	45	1/2 Kg	-	645BZ
6	50	1/2 Kg	650VZ	-
6	60	1/2 Kg	-	660BZ
7	60	1/2 Kg	-	760BZ
8	12	1/2 Kg	-	812BZ
8	15	1/2 Kg	-	815BZ
8	20	1/2 Kg	-	820BZ
8	25	1/2 Kg	-	8X25RH
8	35	1/2 Kg	-	835BZ
8	50	1/2 Kg	-	850BZ
10	20	1/2 Kg	-	1020BZ
10	25	1/2 Kg	-	1025BZ
10	30	1/2 Kg	-	1030BZ

DIN 661 Counter Sunk

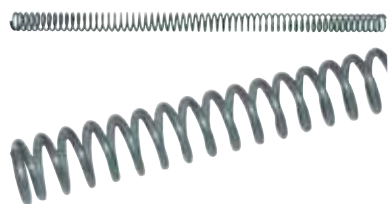


DIN 660 Round Head



Note: Part numbers marked in Red are not stock items but are available.

### Compression and Extension Springs



Compression Spring



Extension Spring

WIRE SIZE	OD	LENGTH	COMPRESSION SPRING PART NUMBER	EXTENSION SPRING PART NUMBER
mm	mm	mm		
1.5	8.5	500	-	ES1585500
1.5	10	500	CS1510500	ES1510500
1.5	12	500	CS1512500	ES1512500
1.5	14	500	CS1514500	-
1.5	20	500	-	ES1520500
2	12	500	CS212500	ES212500
2	14	500	CS214500	ES214500
2	15	500	-	ES215500
2	16	500	CS216500	ES216500
2.5	12	500	-	ES2512500
2.5	14	500	CS2514500	ES2514500
2.5	16	410	CS2516410	ES2516410
2.5	16	500	CS2516500	ES2516500
2.5	18	500	CS2518500	ES2518500
3	20	500	CS320500	ES320500
3	25	500	CS325500	ES325500
3	30	500	CS330500	ES330500
4	25	500	CS425500	ES425500
4	30	500	CS430500	ES430500
4	35	500	CS435500	ES435500
5	30	500	CS530500	ES530500
5	35	500	CS535500	ES535500
5	40	500	CS540500	ES540500

### Assortment box of Compression Springs



DESCRIPTION			PART NUMBER
Assortment box of Compression Springs Contains the following:			SE6001
0.50 x 4 x 10	1.00 x 8 x 30	1.75 x 12 x 40	
0.50 x 8 x 20	1.00 x 12 x 45	1.75 x 15 x 60	
0.50 x 4 x 30	1.00 x 15 x 65	1.75 x 15 x 80	
0.60 x 4 x 15	1.25 x 10 x 30	1.75 x 20 x 100	
0.60 x 6 x 25	1.25 x 15 x 45	2.00 x 12 x 40	
0.60 x 8 x 40	1.25 x 18 x 65	2.00 x 15 x 60	
0.80 x 8 x 25	1.50 x 12 x 20	2.00 x 20 x 80	
0.80 x 12 x 40	1.50 x 15 x 60	2.00 x 22 x 100	
0.80 x 15 x 60	1.50 x 20 x 80	-	

### Assortment box of Extension Springs



DESCRIPTION			PART NUMBER
Assortment box of Extension Springs Contains the following:			SE6002
0.50 x 5 x 40	1.00 x 12 x 90	1.75 x 12 x 60	
0.50 x 7 x 60	1.25 x 9 x 60	1.75 x 14 x 80	
0.75 x 6 x 50	1.25 x 11 x 80	1.75 x 16 x 110	
0.75 x 8 x 70	1.25 x 14 x 100	2.00 x 15 x 60	
0.75 x 10 x 25	1.50 x 10 x 60	2.00 x 17 x 80	
1.00 x 8 x 50	1.50 x 12 x 80	2.00 x 20 x 110	
1.00 x 10 x 70	1.50 x 15 x 100	-	



### Vibration Damper to suit Massey Ferguson

MODEL	ENGINE	OEM NUMBER	PART NUMBER
165	A4.212	883623M1	031120006
168, 175, 265, 275	A4.236		
178, 185, 188, 285, 290	A4.248		
165	AD4.203		
<b>Massey Industrial</b>			
50, 50B	A4.212		
50, 50B MKII, 30D, 50D, 50E, 50EX, 50H, 50H series S, 50HX, 50HX Series S, 60H	A4.236		
50EX, 60H, 60H series S	A4.248		
50	AD4.203		

### Universal Vibration Dampers

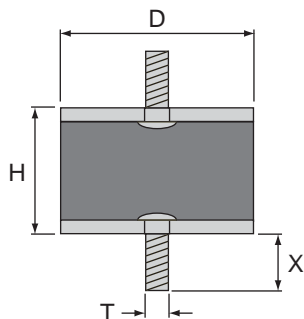
#### Rubber Mountings

- Made from natural rubber
- 4 types available

#### Technical Information:

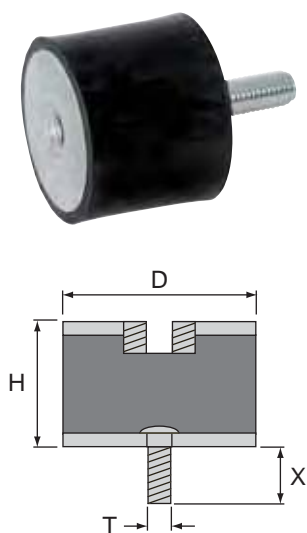
Max Torque: - Max 15% compression of height

#### Rubber Mountings - 'A' Type



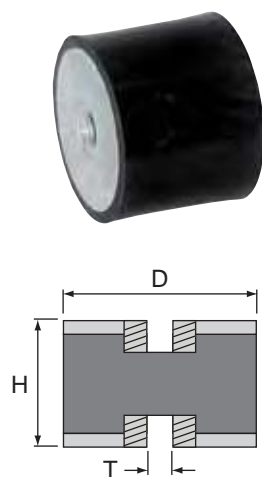
DIAMETER		HEIGHT		THREAD DIMENSIONS			PART NUMBER
D	mm	H	mm	T	mm	X	
20		15		6		15	2015A55
25		20		6		18	2520A55
30		20		8		20	3020A55
30		30		8		20	3030A55
40		30		8		23	4030A55
40		40		8		23	4040A55
50		20		10		28	5020A55
50		30		10		28	5030A55
50		40		10		28	5040A55
50		45		10		28	5045A55
60		35		10		28	6035A55
75		25		12		37	7525A55
75		40		12		37	7540A55
75		50		12		37	7550A55
100		40		16		45	10040A55
100		60		16		45	10060A55

**Rubber Mountings - ' B ' Type**



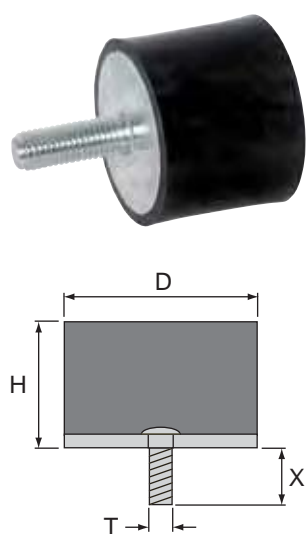
DIAMETER		HEIGHT		THREAD DIMENSIONS			PART NUMBER
D	mm	H	mm	T	mm	X	
25		20		6		18	2520B55
30		20		8		20	3020B55
40		30		8		23	4030B55
40		40		8		23	4040B55
50		20		10		28	5020B55
50		30		10		28	5030B55
50		40		10		28	5040B55
50		45		10		28	5045B55
60		35		10		28	6035B55
60		45		10		28	6045B55
75		40		12		37	7540B55
75		50		12		37	7550B55
100		40		16		45	10040B55
100		60		16		45	10060B55

**Rubber Mountings - ' C ' Type**



DIAMETER		HEIGHT		THREAD DIMENSIONS		PART NUMBER
D	mm	H	mm	T	mm	
25		20		6		2520C55
30		30		8		3030C55
40		30		8		4030C55
40		40		8		4040C55
50		30		10		5030C55
50		40		10		5040C55
50		45		10		5045C55
75		40		12		7540C55

**Rubber Mountings - ' D ' Type**



DIAMETER		HEIGHT		THREAD DIMENSIONS			PART NUMBER
D	mm	H	mm	T	mm	X	
15		8		4		10	1508D55
20		15		6		15	2015D55
25		17		6		18	2517D55
30		20		8		20	3020D55
50		21		10		28	5021D55
50		42		10		28	5042D55
75		25		12		37	7525D55
75		51		12		37	7551D55
100		40		16		45	10040D55



### Threaded Grease Nipples

THREAD SIZE	DEGREE	PART NUMBER
M6 x 1	180°	<b>M6180</b>
M6 x 1	90°	<b>M690</b>
M6 x 1	45°	<b>M645</b>
M8 x 1	180°	<b>M8180</b>
M8 x 1	90°	<b>M890</b>
M8 x 1	45°	<b>M845</b>
M8 x 1.25	180°	<b>M8125180</b>
M8 x 1.25	90°	<b>M812590</b>
M8 x 1.25	45°	<b>M812545</b>
M10 x 1	180°	<b>M10180</b>
M10 x 1	90°	<b>M1090</b>

THREAD SIZE	DEGREE	PART NUMBER
M10 x 1	45°	<b>M1045</b>
M10 x 1.5	180°	<b>M1015180</b>
M10 x 1.5	90°	<b>M101590</b>
M10 x 1.5	45°	<b>M101545</b>
1/8" BSP	180°	<b>18180</b>
1/8" BSP	90°	<b>1890</b>
1/8" BSP	45°	<b>1845</b>
1/4" BSP	180°	<b>14180</b>
1/4" BSP	90°	<b>1490</b>
1/4" BSP	45°	<b>1445</b>
1/4" UNF	180°	<b>14180UNF</b>



### Flat Grease Nipples (Button Head)

THREAD SIZE	PART NUMBER
M8 x 1	<b>FGN81</b>
M10 x 1	<b>FGN101</b>
1/8" BSP	<b>GNF1818016</b>



### Non-Threaded Grease Nipples

SIZE	DEGREE	PART NUMBER
6	180°	<b>6180</b>
8	180°	<b>8180</b>
8	90°	<b>890</b>



### Assortment box of Threaded Grease Nipples

DESCRIPTION			PART NUMBER
Assortment box of Grease Nipples Contains the following:			<b>NO19</b>
25 of M6180	10 of M890	5 of M1045	
10 of M690	10 of M845	15 of 18180	
10 of M645	5 of M10180	5 of 1890	
25 of M8180	5 of M1090	5 of 1845	



### Hook Joints

ID	OD	LENGTH	PART NUMBER
10	20	54	<b>HJ04</b>
12	24	60	<b>HJ01</b>
16	32	80	<b>HJ03</b>
20	40	100	<b>HJ05</b>
22	45	110	<b>HJ06</b>
25	50	125	<b>HJ07</b>
30	55	135	<b>HJ08</b>
50	80	230	<b>HJ12</b>